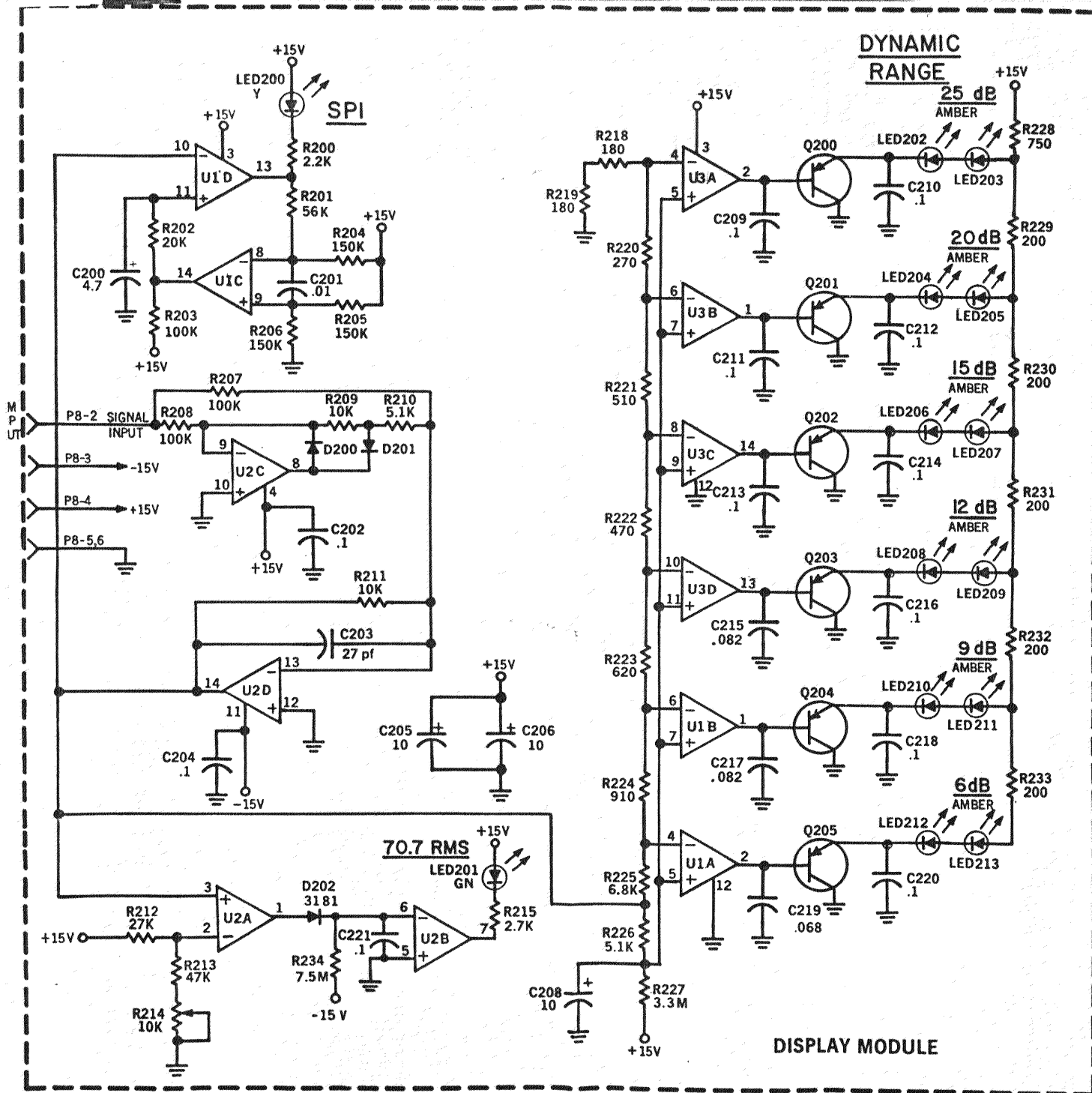
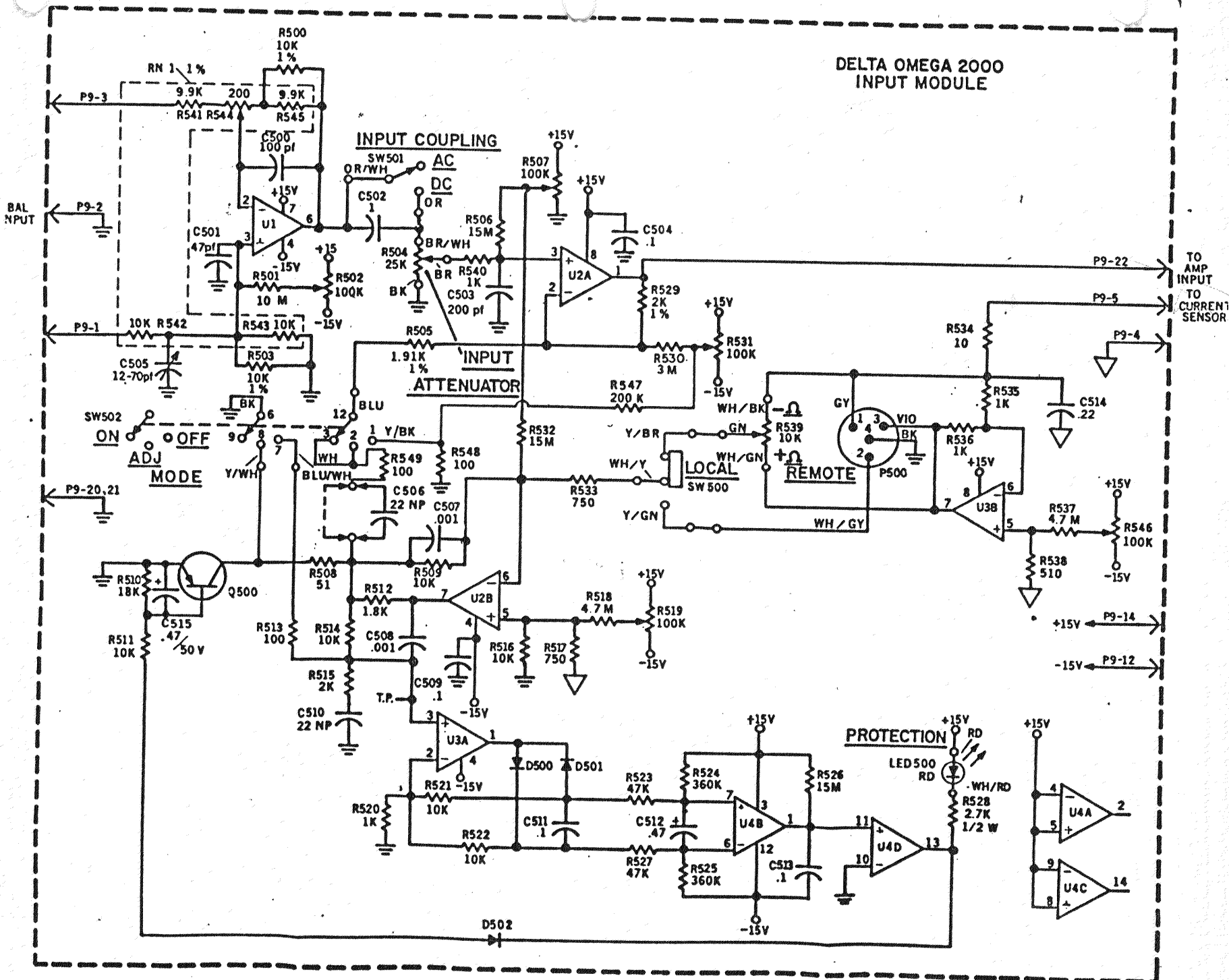
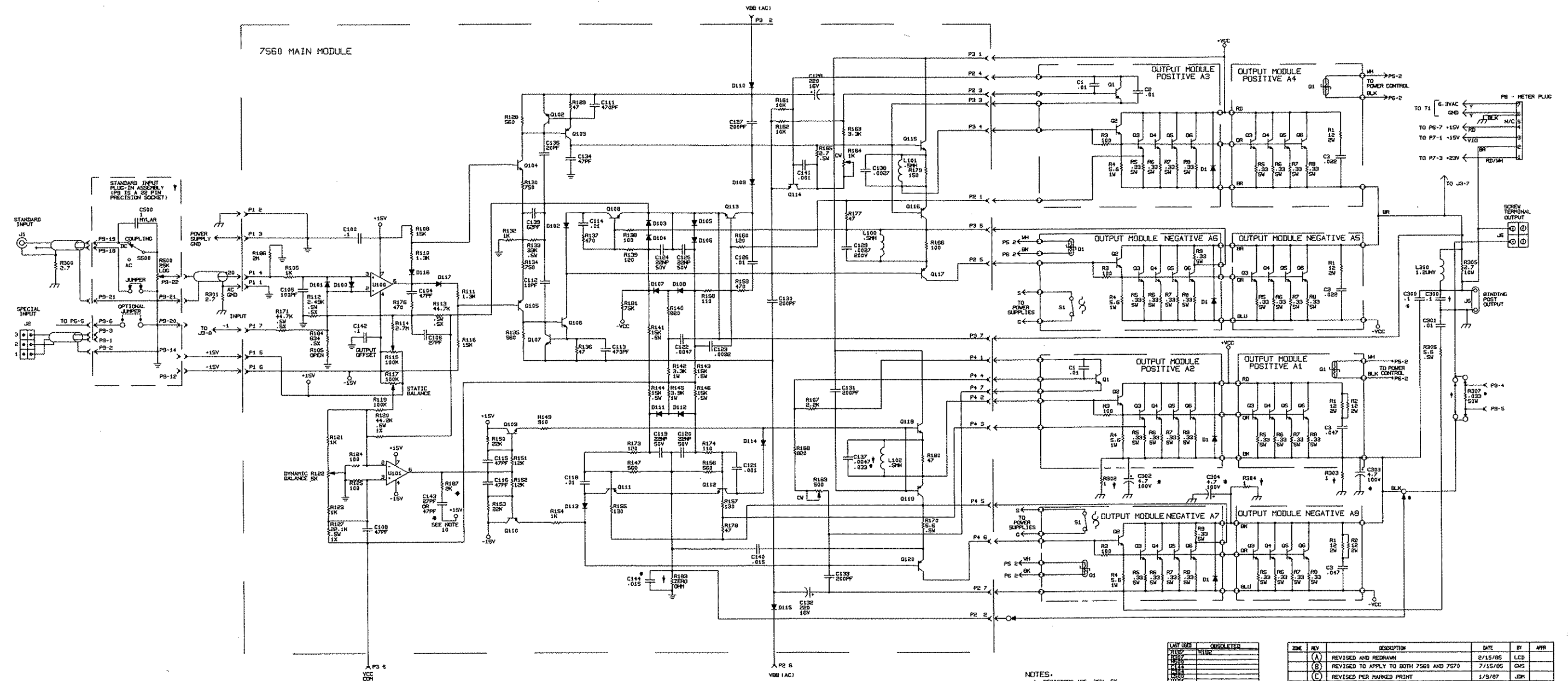


SCHEM, 7560 PWR. SUP. MOD.			
DRAWN: J. FLANAGAN	SIZE (PCB NO.)	DWG. NO. JO053-9	REV.
ISSUED	SCALE	SHEET	



DELTA OMEGA 2000 INPUT MODULE





- NOTES:
1. RESISTORS ARE .5W, 5% UNLESS OTHERWISE SPECIFIED.
 2. RESISTOR VALUES ARE IN OHMS.
 3. CAPACITOR VALUES ARE IN MICROFARADS.
 4. SCHEMATIC APPLIES TO UNITS WITH NUMEROS OUTPUTS 101-01 AND NPS-010 POSITIVE PREDRIVERS (Q115, Q117).
 5. MAIN MODULE SCHEMATIC APPLIES TO S/N 15524 AND FOLLOWING.
 6. MAIN MODULE COMPONENTS ARE NUMBERED 100-199.
 7. OUTPUT MODULE COMPONENTS ARE NUMBERED 1-99.
 8. INPUT MODULE COMPONENTS ARE NUMBERED 300-399.
 9. OFF BOARD COMPONENTS ARE NUMBERED 400-499.
 10. OPTIONAL * MAY BE ADDED TO INSURE CIRCUIT STABILITY
 - * COMPONENT USED ON THE 7570 ONLY
 - † COMPONENT USED ON THE 7560 ONLY
 11. C144 IS LABELED R180 ON THE 7570 MAIN MODULE BOARD

LAST USED	DISCONTINUED
1000	
1001	
1002	
1003	
1004	
1005	
1006	
1007	
1008	
1009	
1010	
1011	
1012	
1013	
1014	
1015	
1016	
1017	
1018	
1019	
1020	
1021	
1022	
1023	
1024	
1025	
1026	
1027	
1028	
1029	
1030	
1031	
1032	
1033	
1034	
1035	
1036	
1037	
1038	
1039	
1040	
1041	
1042	
1043	
1044	
1045	
1046	
1047	
1048	
1049	
1050	
1051	
1052	
1053	
1054	
1055	
1056	
1057	
1058	
1059	
1060	
1061	
1062	
1063	
1064	
1065	
1066	
1067	
1068	
1069	
1070	
1071	
1072	
1073	
1074	
1075	
1076	
1077	
1078	
1079	
1080	
1081	
1082	
1083	
1084	
1085	
1086	
1087	
1088	
1089	
1090	
1091	
1092	
1093	
1094	
1095	
1096	
1097	
1098	
1099	
1100	

ZONE	REV	DESCRIPTION	DATE	BY	APP
	(A)	REVISED AND REDRAWN	2/15/85	LCD	
	(B)	REVISED TO APPLY TO BOTH 7560 AND 7570	7/15/85	GNS	
	(C)	REVISED PER MARKED PRINT	1/9/87	JDM	
	(D)	REVISED FOR 7064 OUTPUT TRANSISTOR	2-11-88	LCD	
	(E)	C134 WAS 200P C129 WAS .0547 C136 WAS 200P R178 WAS 2.7K ON OUTPUT CS WAS .022 ADD R2 TO A1 & A8 A1 & A8 - R1 WAS 5.	3-30-88	LCD	JF

TECHRON		1718 W. MISHAWAKA RD. ELKHART, INDIANA 46517	
SCHEM. 7560/7570 MAJOR			
DRAWN	LCD	2/15/85	SCALE
CHECKED	JF	2-12-88	PROJ D094
APPROVED	DM	2-12-88	X-
NEXT ASSEMBLY		DO NOT SCALE PRINT	
		SUPERSEDES J011788 REV. D	
		C.P.N.	
		J011788	

Schematic, 7560 Main Amplifier