

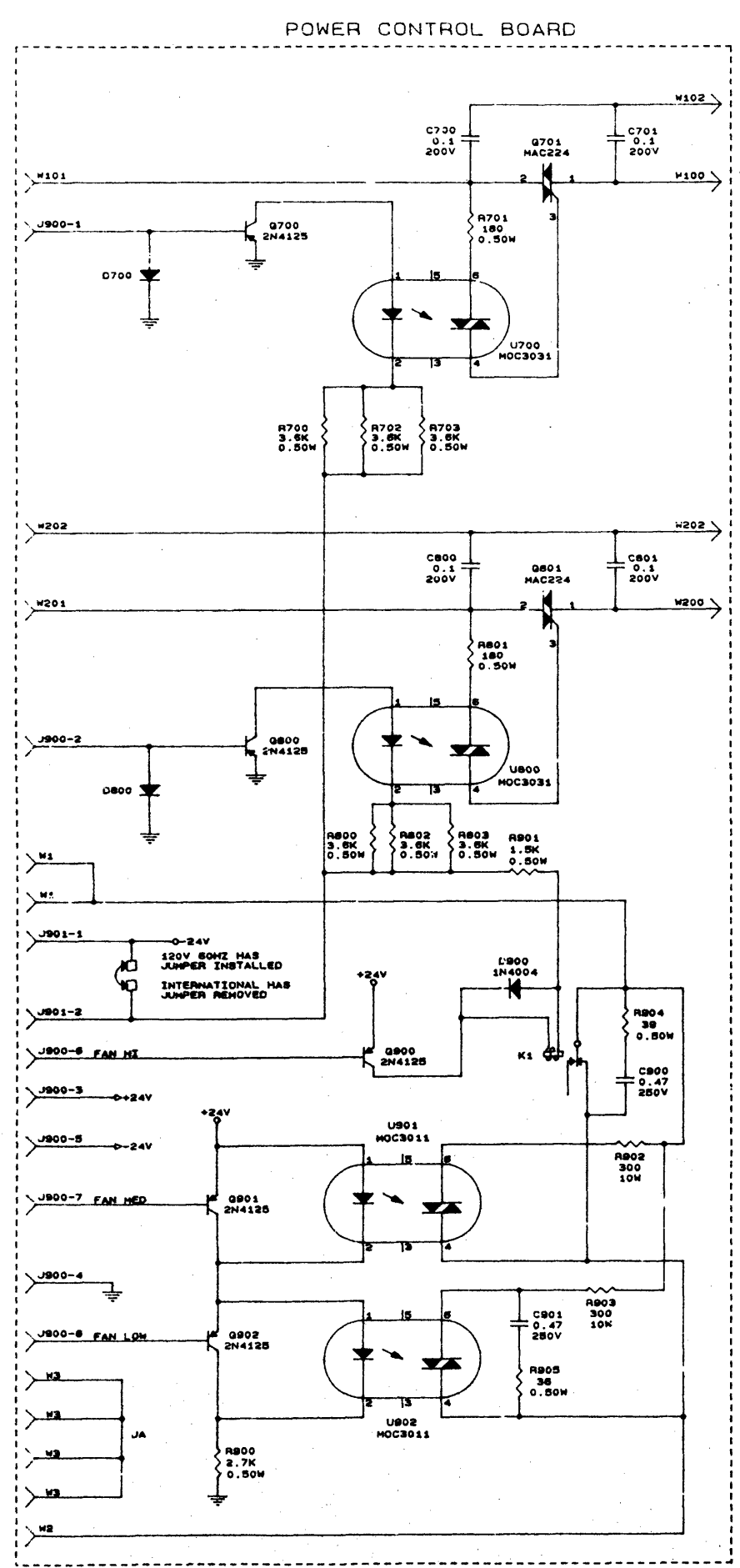
**CROWN INTERNATIONAL, INC.**  
 1719 WEST HISHAWANA ROAD ELKHART, IN. 46517 PHONE (219) 294-8000

**SCHEMATIC: CT-200**

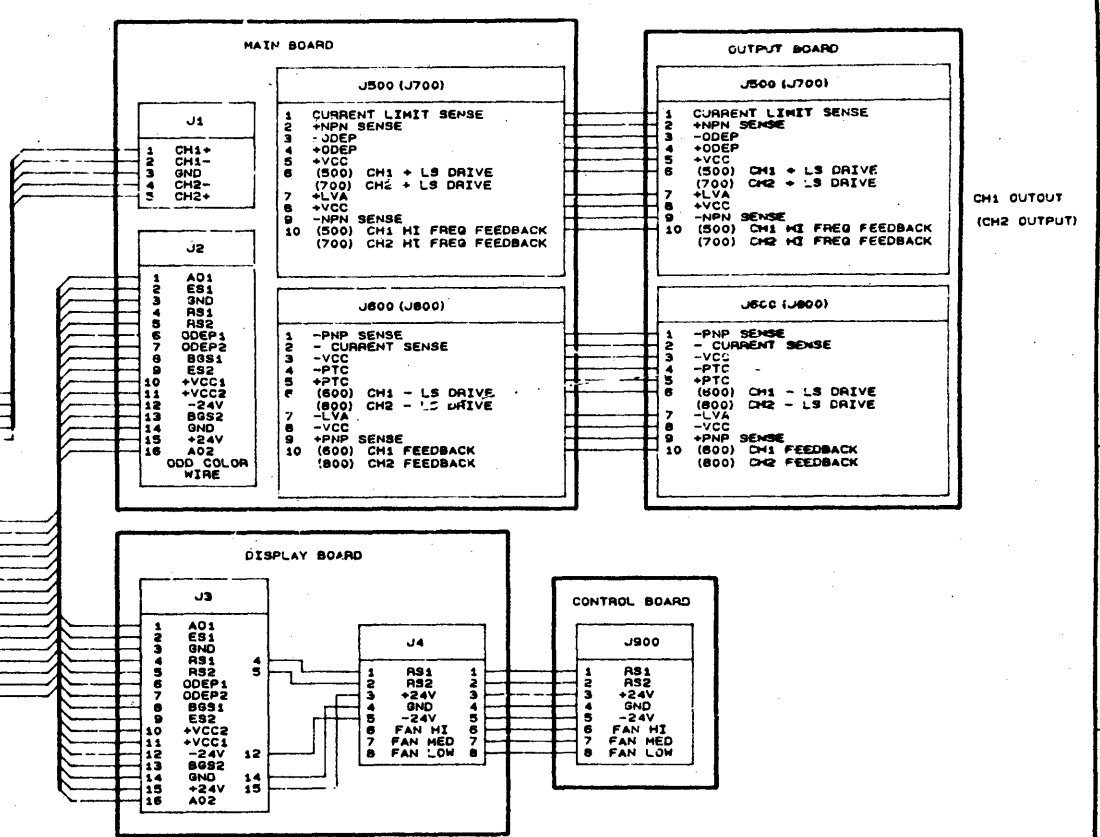
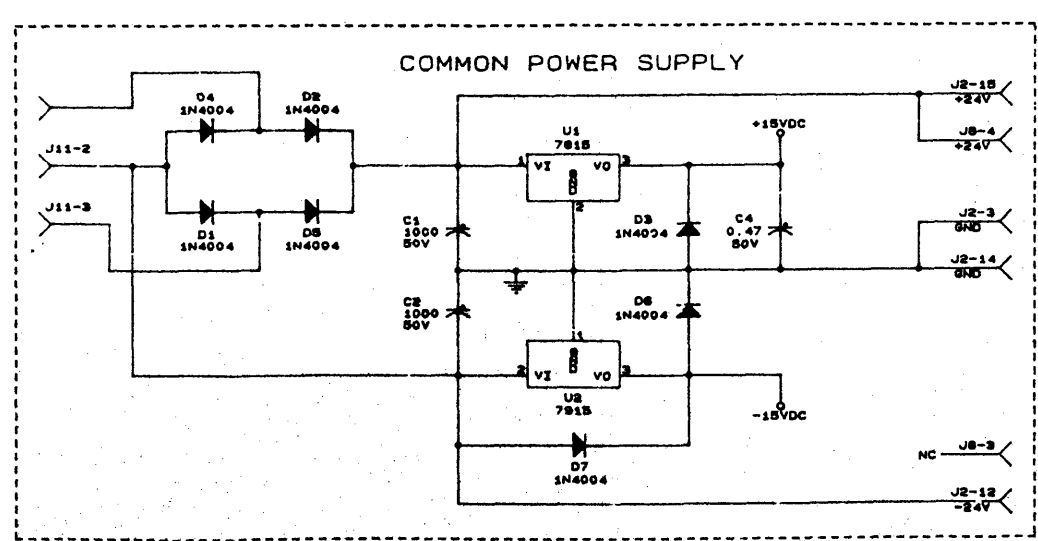
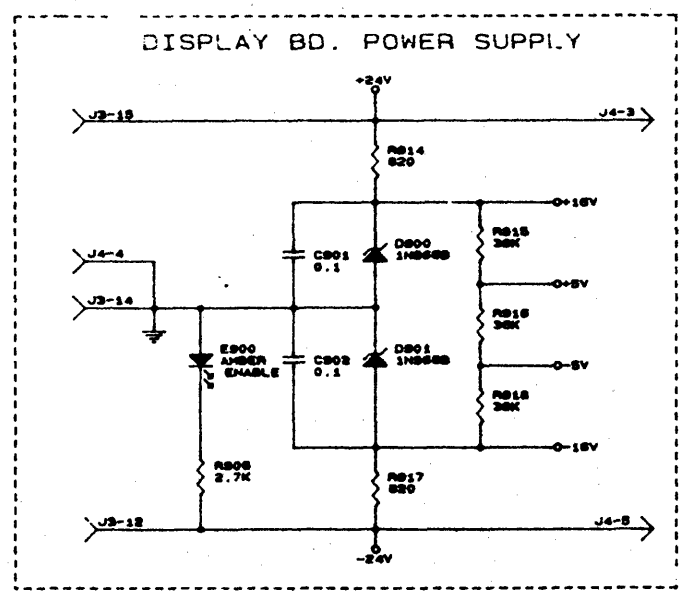
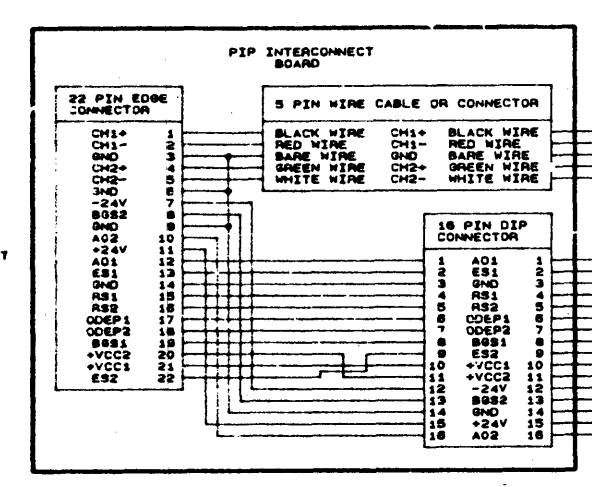
PRINTS TO	DRAWN	LCD	01/18/84	APPROVED BY:	DO NOT SCALE PRINT
G	CHECKED	ME		SUPERSEDES	J0630-4 REV. 8
	SCALE	NONE	EE	E.C.N.	
	PROJ #	D323	PE TS	05/26/84	C.P.N.
	NEXT ASSEMBLY				SHEET 1 OF 3 REV J0630-4

**INACTIVE**  
 For Reference Use Only

10 9 8 7 6 5 4 3 2 1



SEE PAGE THREE FOR APPROPRIATE INPUT WIRING



**CHANNEL 1**

LANT USED	OBSOLETE
C157	C102, 121, 125, 127, 128, 131, 132, 142
C343	C300, 310-342
D132	D100-107, 115, 118, 119
D312	D300
L302	
N102	N100
PTC301	
Q124	Q04, 111, 114
Q318	Q500, 302, 304, 306, 308, 311, 313, 315
R188	R188, 172, 178
R340	R303, 305, 308, 309, 310, 317, 318, 320
R321	R331-334
R100	
S100	
U104	

**COMMON**

LANT USED	OBSOLETE
C81	
C7	C1-6
C701	
C801	
C901	
D700	
D800	
D900	
K1	
N1	
Q701	
Q801	
Q802	
R18	R2, 3, 5, 6, 11-15
R701	
R801	
R805	
S4	S2
U700	
U800	
U802	U800

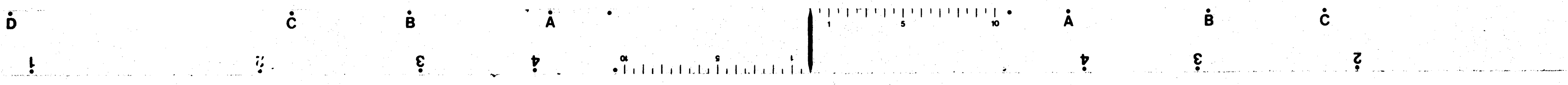
**INACTIVE**  
For Reference Use Only

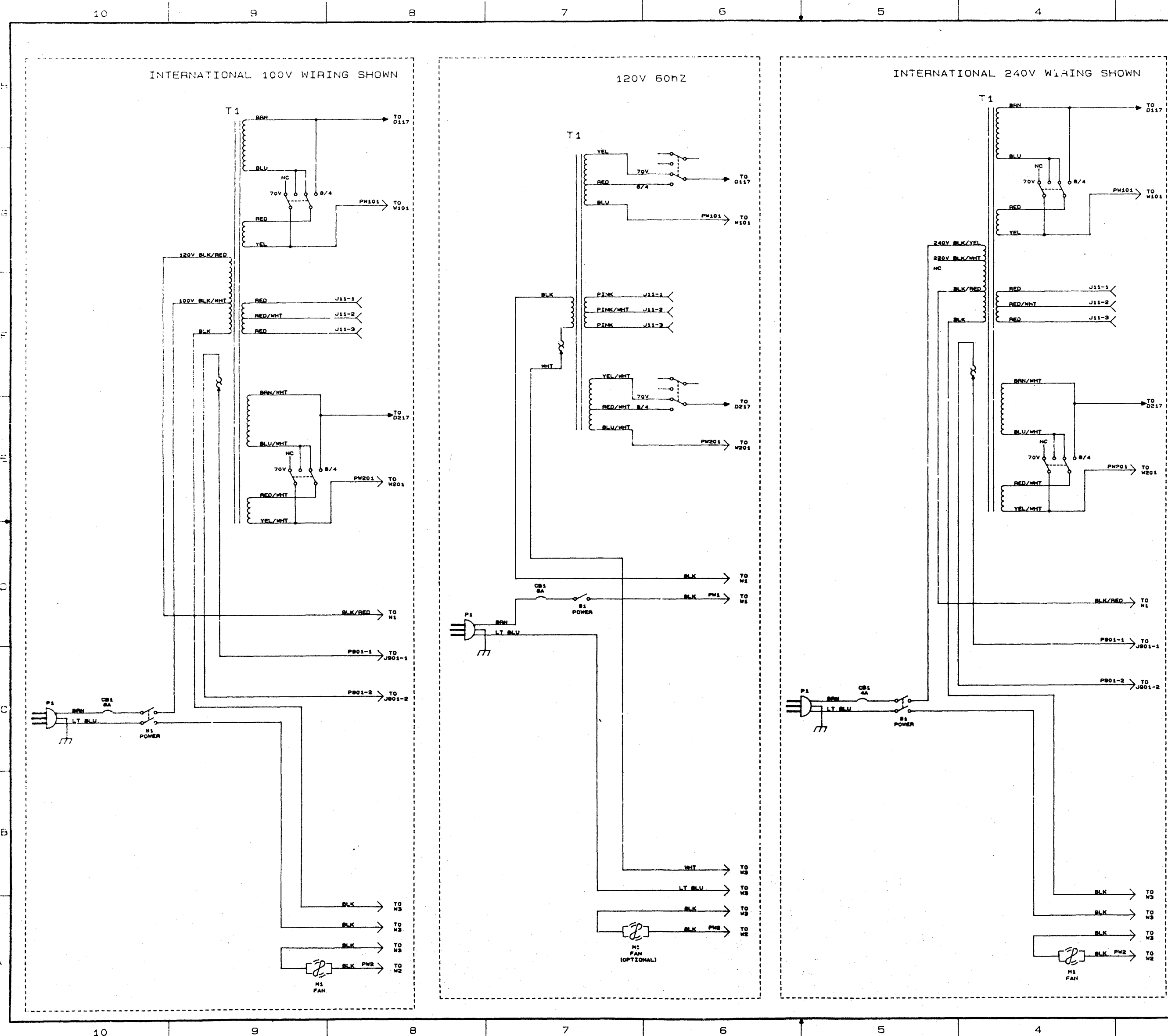
**CROWN INTERNATIONAL, INC.**  
1718 WEST HIGHWAY ROAD ELKHART, IN. 46517 PHONE (219) 284-8000

**SCHEMATIC; CT-200**

PRINTS TO	DRAWN	LCD	01/18/84	APPROVED BY :	DO NOT SCALE PRINT
G	CHECKED			HE	SUPERSEDES J0630-4 REV. B
	SCALE	NONE	EE		E.C.H.
	PROJ #	D323	PE	TS	05/31/84 C.P.H. SH 92 OF 3
	NEXT ASSEMBLY				J0630-4

10 9 8 7 6 5 4 3 2 1





E.C.N.	ZONE	REV	DESCRIPTION	DATE	BY	CHK	APP	TS
		(A)	REVISED CONTROL BD. "G" ODC. NUMBER.	05/02/84	TLM			TS
		(B)	C128, 158, 228, 258 WERE 0.001 INTERNATIONAL WAS EXPORT 120V 60HZ WAS NORTH AMERICA R145, 166, 245, 266 WERE 2.2M	12/06/84	LCD			EB
95-189		(C)	R191, R201 WERE 23K CORRECT NOTE 9	06/14/95	LCD			JH
95-183		(D)	C130, C230 WERE 27PF ARE NOW 47PF	04/01/96	LCD			JH

- NOTES:
1. ALL RESISTORS ARE IN OHMS, 1/4W, 5% UNLESS OTHERWISE SPECIFIED.
  2. ALL CAPACITORS ARE IN MICROFARADS UNLESS OTHERWISE SPECIFIED.
  3. CHANNEL 1 SHOWN FOR CHANNEL 2 ADD 100 TO REFERENCE DESIGNATORS. (EXAMPLE: CHANNEL 1 R101 WOULD BE CHANNEL 2 R201.) CONNECTION AND IC PIN NUMBERS FOR CHANNEL 2 ARE SHOWN IN PARENTHESES WHEN THEY DIFFER FROM CHANNEL 1.
  4. ALL DIODES ARE 1N4148 UNLESS OTHERWISE SPECIFIED.
  5. ON J500 AND J700 THE STRIPED WIRE GOES TO PIN 10 OF THE BOARD AND THE PIN NUMBERS WELDED ON THE CABLE SOCKET ARE REVERSED FROM THE PIN NUMBERS OF THE BOARD AND THE SCHEMATIC.
  6. STANDARD UNIT HAS R10 OPEN. INSTALL JUMPER IN R10 TO DISABLE CHANNEL 2 SIGNAL INDICATOR LIGHT IN PARALLEL HORN MODE.
  7. POWER SUPPLY VOLTAGES SHOWN UNDER NO LOAD CONDITION.
  8. CHANNEL 2 PRE-DRIVER BASES LOOP THROUGH STEREO-MONO SWITCH S4, SECTIONS E AND F.
  9. THIS SCHEMATIC REVISION APPLIES TO:
    - 120V 60HZ
    - CONTROL BOARD P10405-2 / 043244-5 REV.A
    - MAIN BOARD 08368-7 / 043237-8 REV.E
    - DISPLAY BOARD 07083-5 / 042700-4
    - OUTPUT BOARD P10398-3 / 043180-4
  10. C128 AND C230 ARE:
    - 120V 60HZ INTERNATIONAL
    - 8300NF 205VDC 8300NF 135VDC

**INACTIVE**  
For Reference Use Only

**CROWN INTERNATIONAL, INC.**  
1718 WEST HIGHWAY ROAD ELKHART, IN. 46517 PHONE (317) 284-8000

SCHEMATIC: CT-200

PRINTS TO		DO NOT SCALE PRINT	
DRAWN	LCD 01/18/84	APPROVED BY:	SUPERSEDES J0630-4 REV.B
CHECKED	NE	EE	E.C.N.
SCALE	NONE	EE	C.P.N.
PROJ #	D323	PE TS	05/31/84
NEXT ASSEMBLY		SH #3 OF 3	REV J0630-4 (D)