

Technical Manual



JBL4632-M/HF

SPECIFICATIONS

ACOUSTIC & ELECTRICAL SPECIFICATIONS:

- System: [4632-T Specifications in Brackets]
- Frequency Range: 30 Hz – 20 kHz
- Frequency Response ($\pm 3\text{dB}$): 40 Hz – 16 kHz
- System Sensitivity: 106 dB SPL, 2.83V @ 1m (3.3 ft)
- Rated Maximum SPL: 129 dB @ 1m (3.3 ft), 135 dB Peak
- System Input Power Rating: LF: 800 watts, M/HF: 400 watts, [HF: 50 watts]
- Crossover Frequencies: 250 Hz [1.2 kHz]

SYSTEM COMPONENTS:

- Model 4632-M/HF:
- Nominal Impedance: 4 ohms [HF: 8 ohms]
- Input Power Rating: 400 watts AES; 600 watts recommended amplifier, [HF: 50 watts AES; 200 watts recommended amplifier]
- Sensitivity: 106 dB SPL, 2.83V @ 1m (3.3 ft), [HF: 114 dB SPL, 2.83V @ 1m (3.3 ft)]
- Mid Frequency Transducer: 4 x 165H; 165mm (6.5 in) dia., 38mm (1.5 in) voice coil

SYSTEM COMPONENTS: (Cont'd)

- DC Resistance: 5.8 ohm $\pm 10\%$
- High Frequency Transducer: 44mm (1.75 in) Titanium diaphragm 2425HS (1 in.) exit diameter
- DC Resistance: 3.2 ohm $\pm 8\%$
- Crossover Network: 129-20064-00, 129-20065-00

AURAL SWEEP TEST SPECIFICATIONS:

- A. System Aural Sweep Test: 5.0V Input, 100 Hz to 20 kHz
- B. M.F. Aural Sweep Test: 5.0V Input, 100 Hz to 5 kHz
- C. H.F. Aural Sweep Test: 2.83V Input, 550 Hz to 20 kHz

PHYSICAL SPECIFICATIONS:

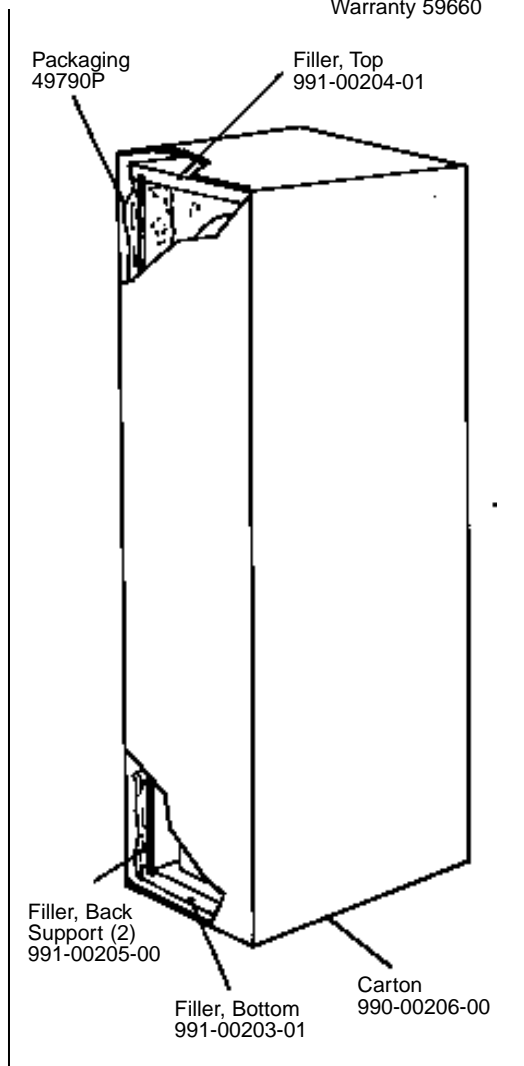
- Enclosure Dimensions: 1544mm x 762mm x 450mm D (60.8 x 30.0 x 17.75 in. D)
- Shipping Weight: 142 lbs. (64.5 kg.)

WARRANTY INFORMATION:

- Refer to Warranty Statement packed with each product.

PACKAGE

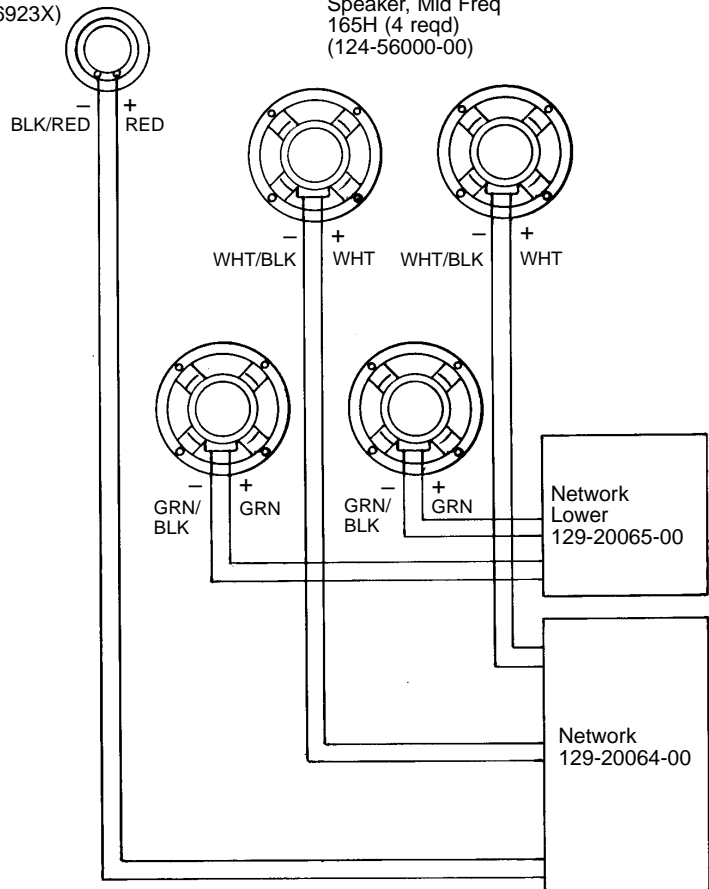
Warranty 59660



WIRING DIAGRAM

Speaker, High Freq
2425HS
Diaph Repl
D8R2425
(66923X)

Speaker, Mid Freq
165H (4 reqd)
(124-56000-00)

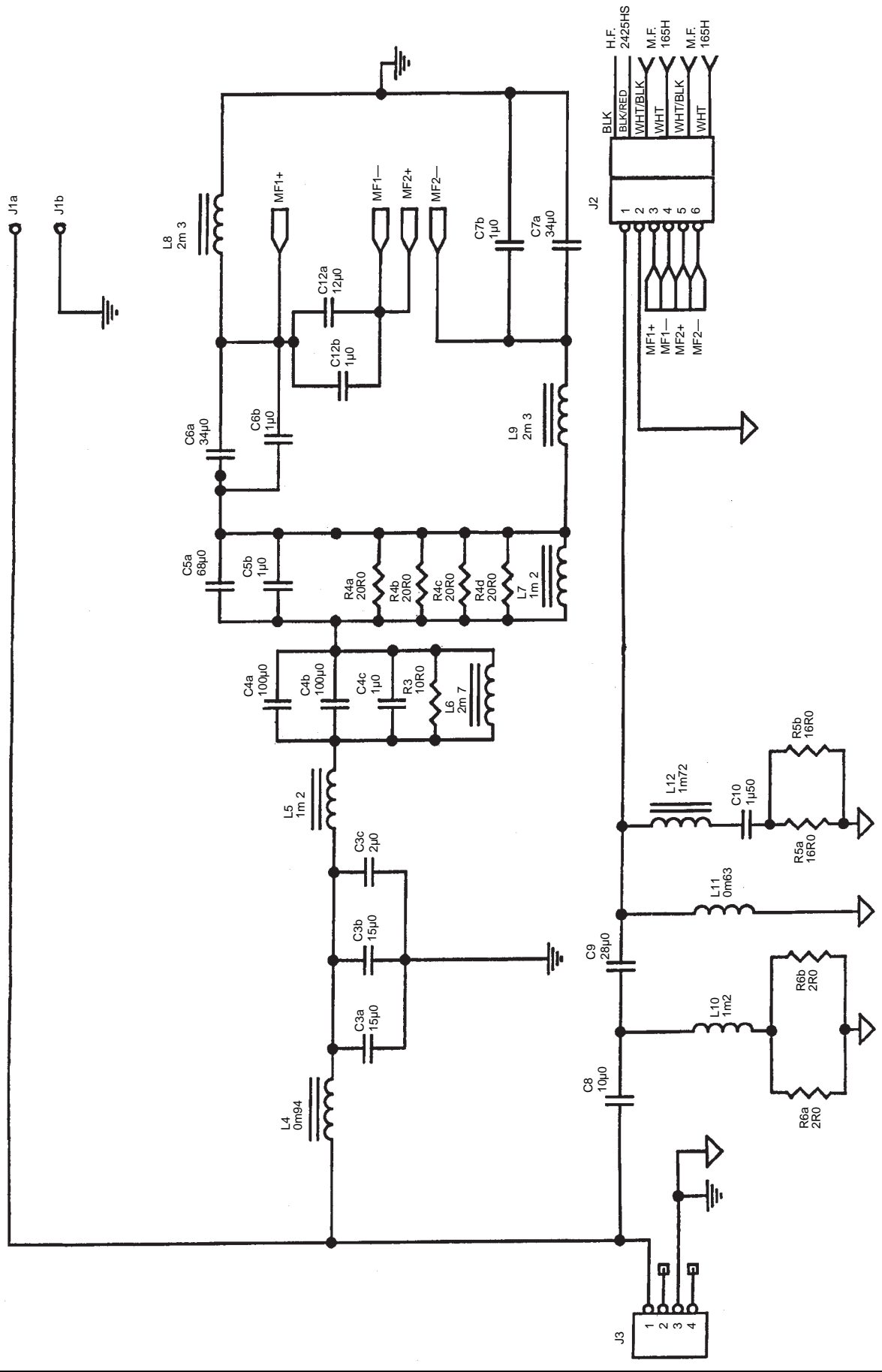


See Schematic Page

JBL4632-M/HF REV L

JBL4632-M/HF

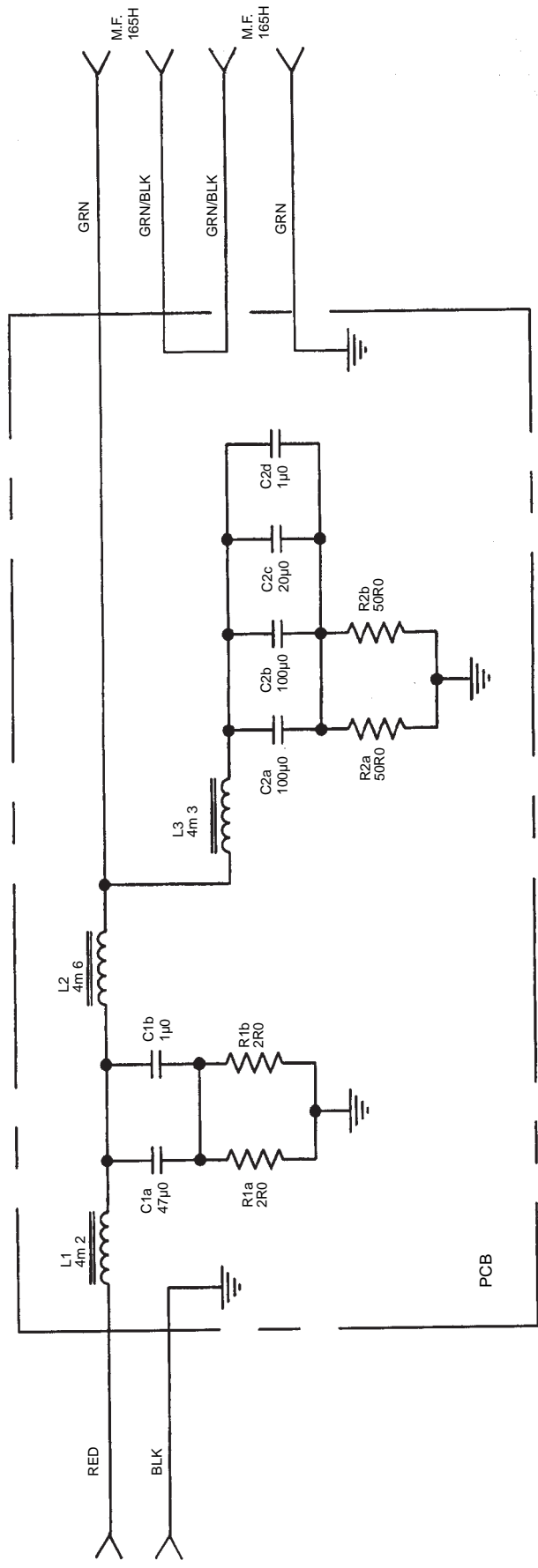
SCHEMATIC (129-20064-00)



JBL4632-M/HF

JBL4632-M/HF

SCHEMATIC (129-20065-00)



JBL4632-M/HF

