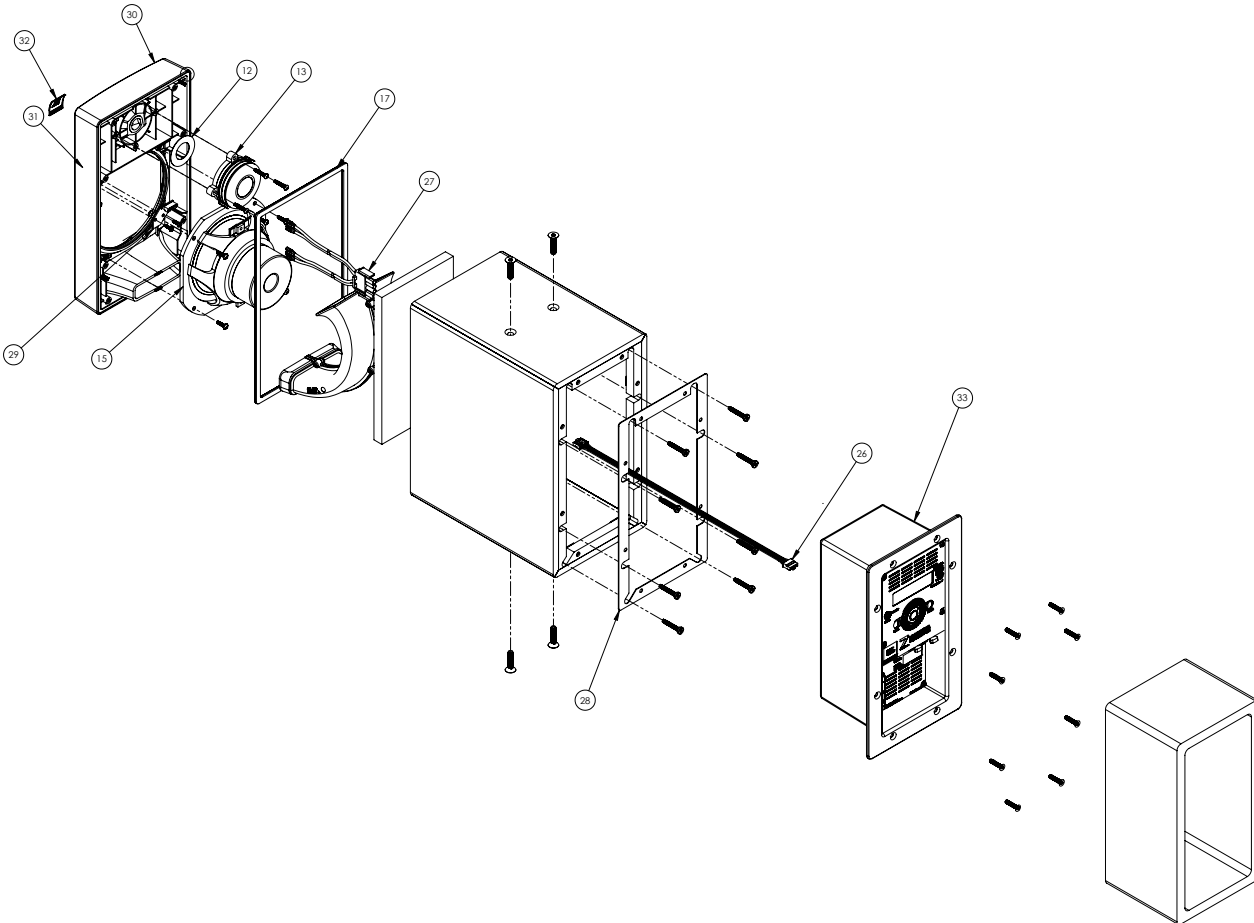


5" Bi-Amplified Master Reference Monitor



705P Spare Parts List			
Ref ID	P/N	Description	Qty.
12	5050087	GASKET, HF DRIVER, LSR7XX	1
13	5043243X	M/I, 2409H HF	1
15	5050243X	UNIT ASSEMBLY, 725G WOOFER	1
17	5050089	GASKET, BAFF-ENCLOSURE, LSR705	1
26	5069650	LED WIRE HARNESS, LSR705P	1
27	5069666	LF/HF WIRE HARNESS, LSR705P	1
28	5075574	AMPLIFIER GASKET, LSR705P	1
29	5071570	LED ASSEMBLY, LSR705P/708P	1
30	5078139	LED BAFFLE AND GRILLE ASSEMBLY, LSR705X	1
31	5078111	LED COVER, LSR70XP	1
32	5081135	JBL LOGO, LSR705P	1
33	5122835-00	MECHASY,AMPLIFIER, PROGRAMMED 705P	1
	5081698	125V POWER CORD, LSR7 SERIES	1
	5081699	250V, POWER CORD, LSR7 SERIES	1



5" Bi-Amplified Master Reference Monitor

Amplifier Spare Parts List			
Ref ID	P/N	Description	Qty
1	5138109-00	CON,PWR,IEC C14,SW,PNL MNT	1
2	5138108-00	OPTO,DSPL,LCD,128x32,LED,WHT	1
3	5138071-00	PCB,ASY,TST,INPUT2,LSR700P	1
4	5138072-00	PCB,ASY,TST,INPUT1,LSR700P	1
5	5138073-00	PCB,ASY,TST,INPUT3,LSR700P	1
6	5138074-00	PCB,ASY,TST,MPU,LSR700P	1
7	5138075-00	PCB,ASY,TST,DSP,LSR700P	1
8	5138076-00	PCB,ASY,TST,MAIN,LSR700P	1
9	5138077-00	HDW,SCRN,WINDOW,LCD,LSR700P	1
10	5138078-00	HDW,BRKT,LCD,LSR700P	1
11	5138079-00	HDW,KNOB,DIAL,KEY,LSR700P	1
12	5138080-00	HDW,SWCAP,DIAL,KEY,LSR700P	1
13	5138081-00	LBL,PRNT,OVLY,TOP,LSR700P	1
14	5138082-00	LBL,PRNT,OVLY,BOTTOM,LSR700P	1
15	5138083-00	HDW,GSKT,SH,DIAL,LSR700P	1

