

Technical Manual

JBL8330A

SPECIFICATIONS



ACOUSTIC & ELECTRICAL SPECIFICATIONS:

- Nominal Impedance: 8 ohms
- Power Capacity: 100W Continuous Pink Noise
400W Peak
- Frequency Range: 40 Hz – 20 kHz (± 10dB)
- Sensitivity: 91 dB SPL, 1 Watt @ 1 Meter
- Crossover Frequencies: 650 Hz – 3.1 kHz

SYSTEM COMPONENTS:

- Enclosure: 380-90012-00 (Not For Sale)
- Grille: 128-00413-00
- Low Frequency Transducer: 203mm (8 in.) Laminated High Polymer Cone (308G-4A)
- DC Resistance: 5.9 ohm ±5% Copper Wire
- MidFrequency Transducer: 130mm (5in.) Laminated High Polymer Cone (505G)
- DC Resistance: 4.95 ohm ±5% Copper Wire
- High Frequency Transducer: 25mm (1in.) Titanium Laminate Dome (65408-LY)

SYSTEM COMPONENTS: (Cont'd)

- DC Resistance: 3.85 ohm ±5% Copper Wire
- Crossover Network: 129-30013-00

AURAL SWEEP TEST SPECIFICATIONS:

- A. System Aural Sweep Test: 7.0V Input, 20 Hz to 20 kHz
- B. L.F. Aural Sweep Test: 4.0V Input, 20 Hz to 1.2 kHz
- C. M.F. Aural Sweep Test: 4.0V Input, 100 kHz to 3.5 kHz
- D. H.F. Aural Sweep Test: 2.0V Input, 2 kHz to 20 kHz

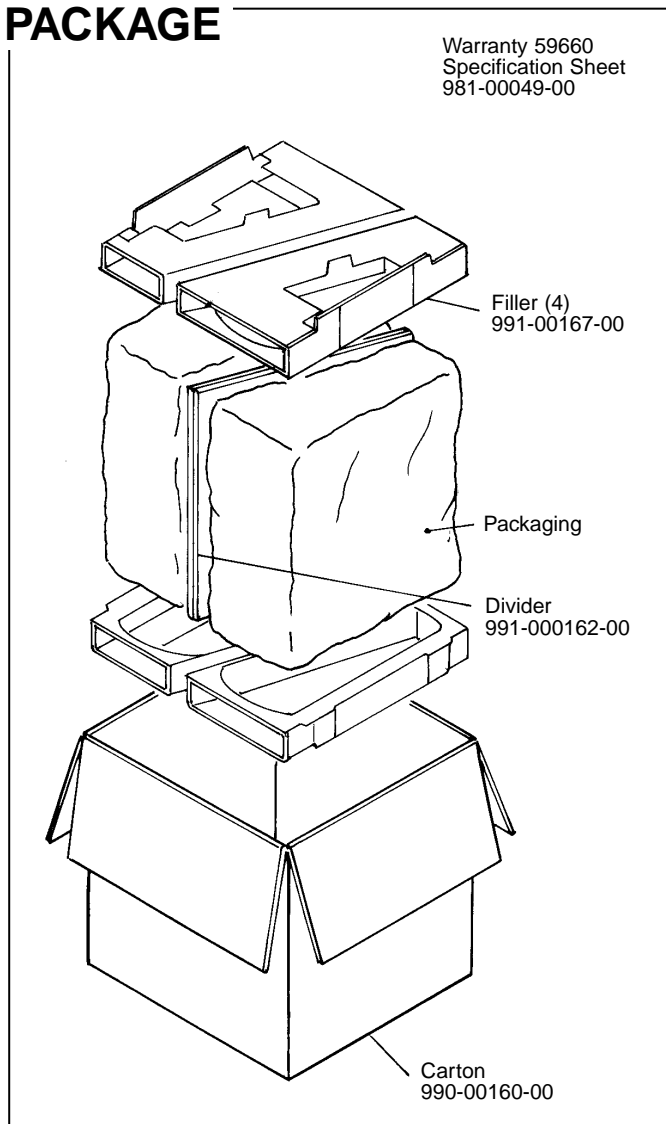
PHYSICAL SPECIFICATIONS:

- Enclosure Dimensions: 457mm x 457mm x 260mm D
(18.0 x 18.0 x 10.25 in. D)
- Shipping Weight: 42.5lbs. (19.2 kg.) (In Pairs)

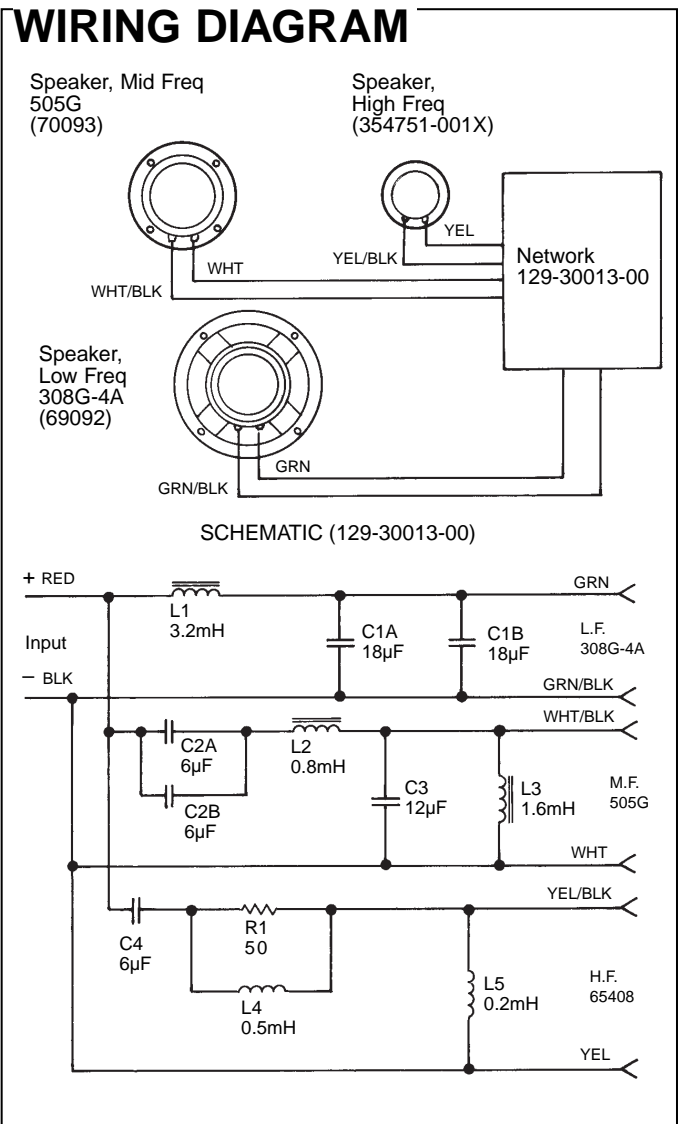
WARRANTY INFORMATION:

- Refer to Warranty Statement packed with each product.

PACKAGE



WIRING DIAGRAM



JBL8330A REV1

JBL8330A

COMPONENT EXPLODED VIEW

