

Technical Manual

JBL 8340A

SPECIFICATIONS



ACOUSTIC & ELECTRICAL SPECIFICATIONS:

- Nominal Impedance: 8 ohms
- Power Capacity: 250W Continuous Pink Noise
1000W Peak
- Frequency Range: 45 Hz – 18kHz (± 10dB)
- Sensitivity: 96 dB SPL, 1 Watt @ 1 Meter
- Crossover Frequency: 2.2 kHz

SYSTEM COMPONENTS:

- Enclosure: 380-90012-00 (Not For Sale)
- Grille: 128-00413-00
- Low Frequency Transducer: 250mm (10 in.) Cone Transducer (127H-3)
- DC Resistance: 5.6 ohm ±10% Aluminum Wire
- High Frequency Transducer: 25mm (1in.) Titanium Diaphragm (2412H)
- DC Resistance: 5.5 ohm ±10% Aluminum Wire

SYSTEM COMPONENTS: (Cont'd)

- Crossover Network: 129-20049-00

AURAL SWEEP TEST SPECIFICATIONS:

- A. System Aural Sweep Test: 5.0V Input, 20 Hz to 20 kHz
- B. L.F. Aural Sweep Test: 4.0V Input, 20 Hz to 4 kHz
- C. H.F. Aural Sweep Test: 2.0V Input, 1 kHz to 20 kHz

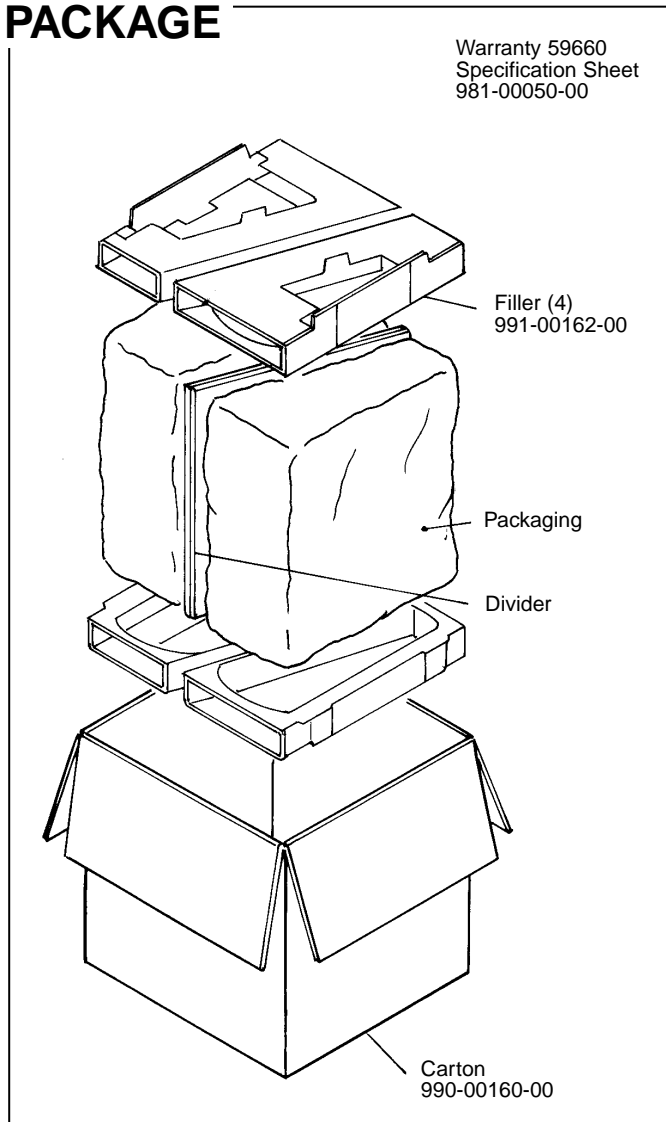
PHYSICAL SPECIFICATIONS:

- Enclosure Dimensions: 457mm x 457mm x 260mm D
(18.0 x 18.0 x 10.25 in. D)
- Shipping Weight: 42.5lbs. (19.2 kg.) (In Pairs)

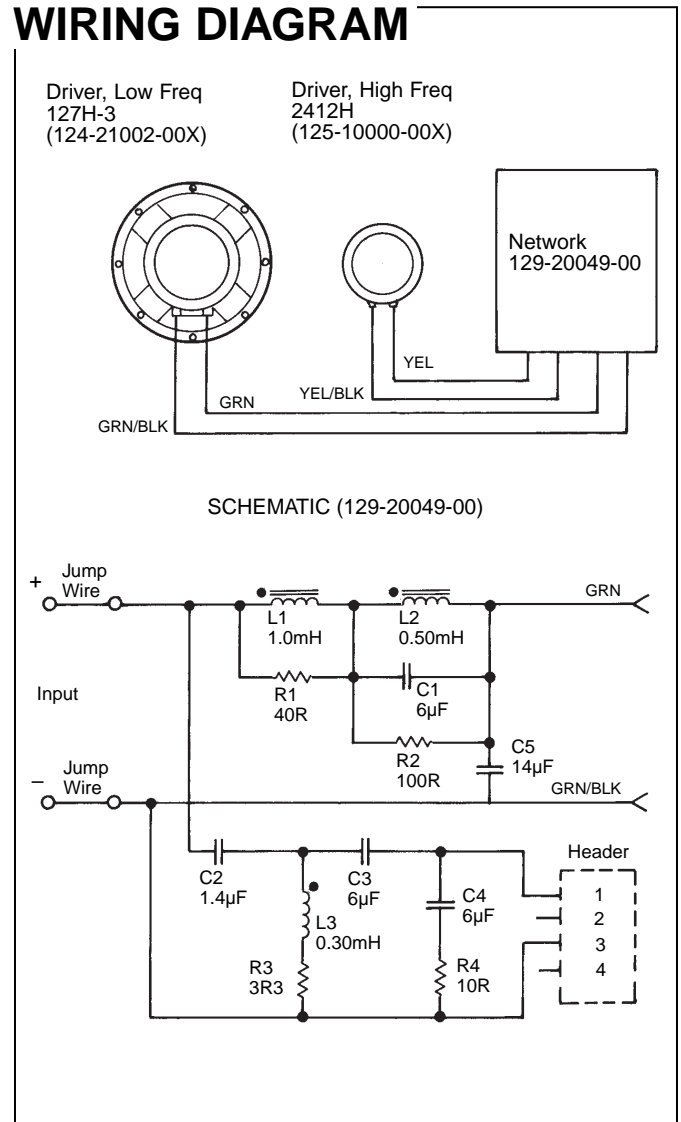
WARRANTY INFORMATION:

- Refer to Warranty Statement packed with each product.

PACKAGE



WIRING DIAGRAM



JBL 8340A REV I

JBL 8340A

COMPONENT EXPLODED VIEW

