

Technical Manual

JBL CBT 50LA/WH/-1

SPECIFICATIONS



ACOUSTIC & ELECTRICAL SPECIFICATIONS:

- Nominal Impedance: 8 Ohms
- Power Capacity: 150W (600W peak), 2 hrs
(8 ohm setting): 100W (400W peak), 100 hrs
- Frequency Range: 80 Hz - 20 kHz (-10 dB)
- Maximum SPL:
 - Speech mode: 115 dB cont ave (121 peak)
 - Music mode: 111 dB cont ave (117 peak)
- Sensitivity: (2.83V @ 1 meter)
 - 93 db (speech mode, 2 kHz - 14 kHz)
 - 89 dB (music mode, 300 Hz - 18 kHz)

SYSTEM COMPONENTS: (CONT'D)

- Crossover Network: 442851-001 (Main PCB)

AURAL SWEEP TEST SPECIFICATIONS:

- A. System Aural Sweep Test: 5.0V Input, 20 Hz to 1000 Hz
Sweep duration : 10 seconds

PHYSICAL SPECIFICATIONS:

- Enclosure Dimensions: 528 x 99 x 153 mm D
(20.8 x 3.9 x 6.0 in.D.)
- Net Weight: 9.0 lb (4.1 kg.)

SYSTEM COMPONENTS:

- Cabinet: Enclosure (Not for Sale)
- Grille: 442848-001, 442848-002 (WH)
- Components / Driver: Eight 50 mm (2 in) Full-Range
- DC Resistance: 10 ohms

WARRANTY INFORMATION:

- Refer to Warranty Statement packed with each product.

70V/100V Transformer Taps: 60W, 30W, 15W, (7.5W at 70V only), and 8Ω thru, via switch

PACKAGE

Warranty
59660

Specification Sheet
444195-001
5011373 (-1 Series)

Owners Manual
442818-001
5011372 (-1 Series)

Filler,Middle (2)
444185-001

Filler,Bottom (2)
444186-001

Label (-1 Series)
5011370
5011371(WH)

Pearl Bag
444188-001

Carton
442863-001
5011369 (-1 Series)

Swivel Bracket (-1 Series)
Speaker / Wall
445765-001
445765-002 (WH)

Filler,Top (2)
442862-001

Accessories Box / Kit Includes:

Accessories Kit
5026849 (BLK)
5026850 (WHT)

Speaker Bracket (for both versions)
442811-001
442811-002 (WH)

Fixed Wall Bracket
442812-001
442812-002 (WH)

Bolts (6)
442814-001
442814-002 (WH)
M6-16MM

Washers, SS Lock (6)
444191-001
444191-002 (WH)

Washers, Flat SS (6)
444190-001
444190-002 (WH)

Switch Cover (3)
444192-001
444192-002 (WH)

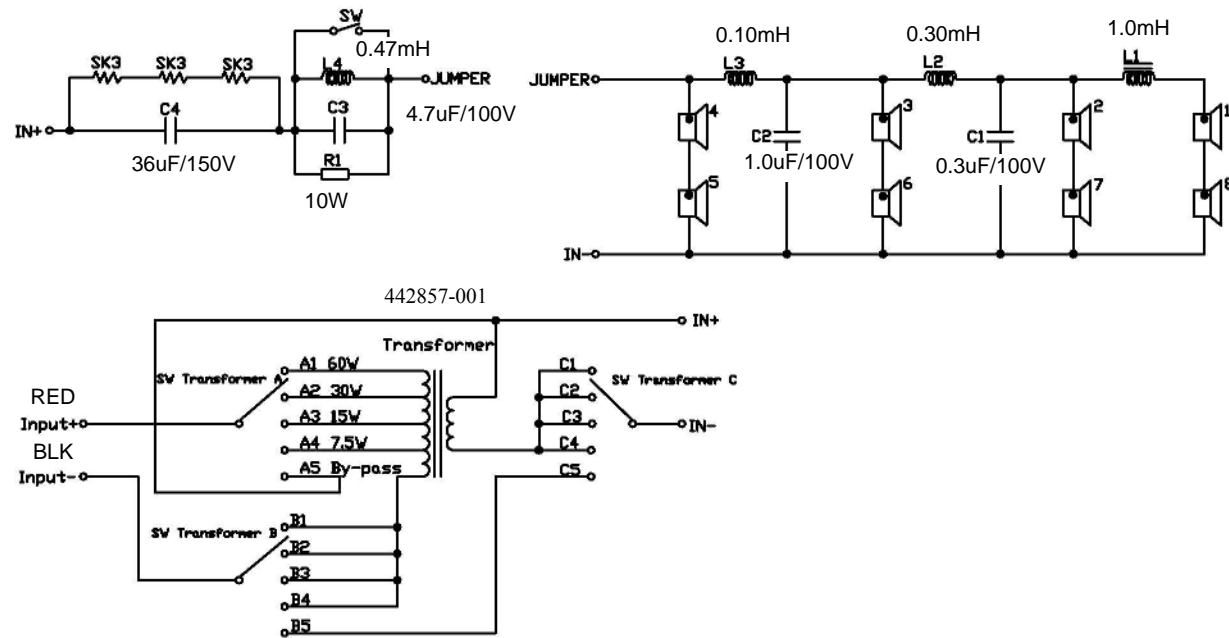
Bolts (2)
444478-001
444478-002 (WH)
M6-34MM

Nuts (2)
444479-001
444479-002 (WH)
M6

JBL CBT 50LA/WH/-1 REV F

JBL CBT 50LA/WH/-1

SCHEMATIC (442851-001)

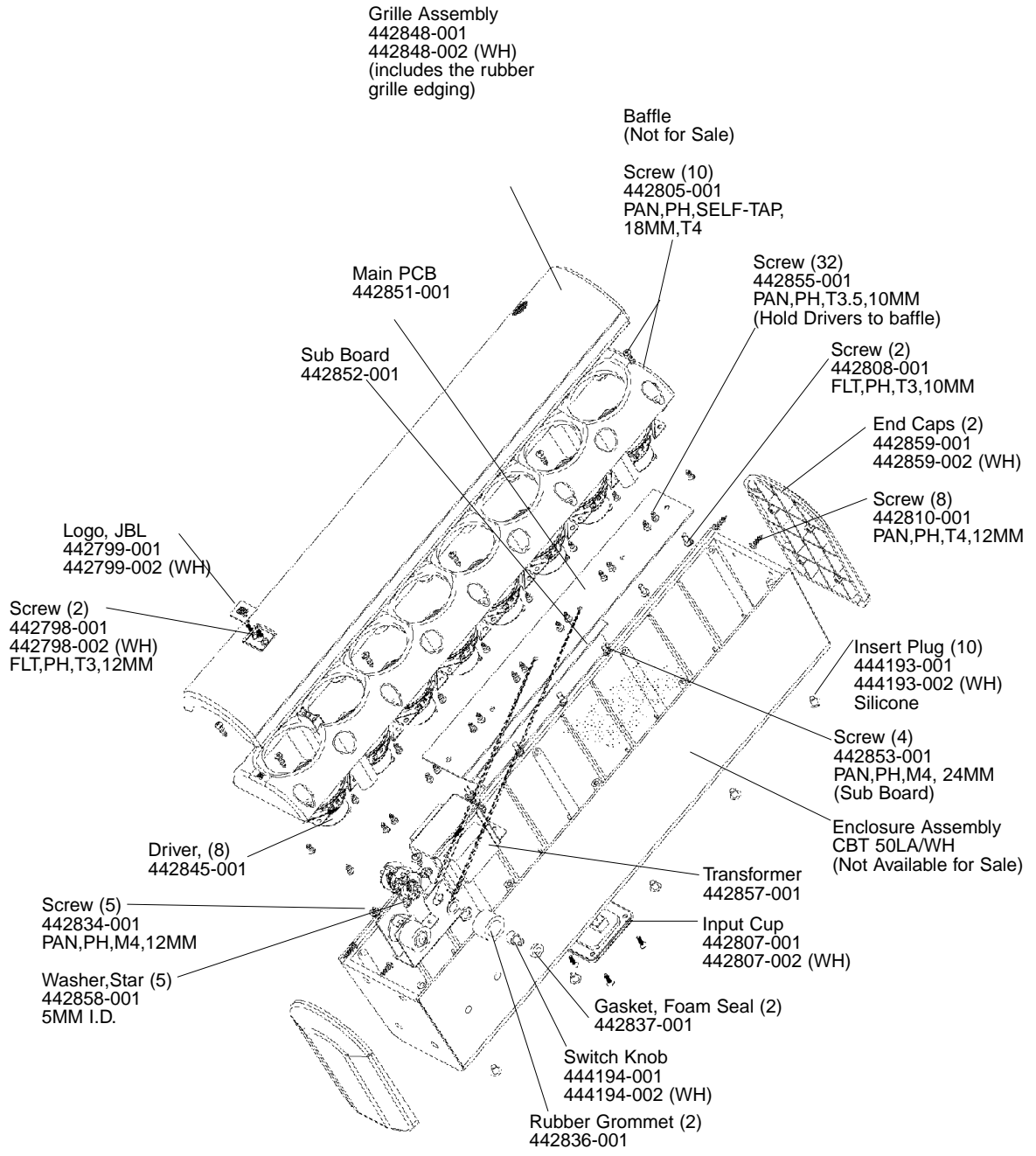


Individual Parts for the above crossover are not available.
A complete replacement assembly should be ordered.

JBL CBT 50LA/WH/-1

JBL CBT 50LA/WH/-1

COMPONENT EXPLODED VIEW



JBL CBT 50LA/WH/-1