

Technical Manual

CONTROL 64P/T

SPECIFICATIONS



ACOUSTIC & ELECTRICAL SPECIFICATIONS:

- Frequency Range (-10 dB): 65 Hz – 15 kHz
- Frequency Range (+/- 3 dB): 85 Hz – 14 kHz
- Rated Maximum SPL @ 1 m: 105dB continuous pink noise, 111 dB peak.
- Rated Impedance: 8 ohms.
- Power Capacity: 100W Continuous Program (2 hrs); 50W (200W peak), Continuous Pink Noise (2 hrs); 40W (160W peak) Continuous Pink Noise (100 hrs).
- Transformer Taps: 70V: 30W, 15W, 7.5W & 3.7W
100V: 30W, 15W, 7.5W

AURAL SWEEP TEST SPECIFICATIONS:

- A. System Aural Sweep Test: 5 V Input, 60 Hz to 20 kHz

PHYSICAL SPECIFICATIONS:

- Dimensions: 234 mm (9.3 in) diameter X 259 mm (10.2 in) height to top of cabinet. 279 mm (11.0 in) to top of suspension bracket.
- Net Weight: 2.35 kg (5.2 lb.)

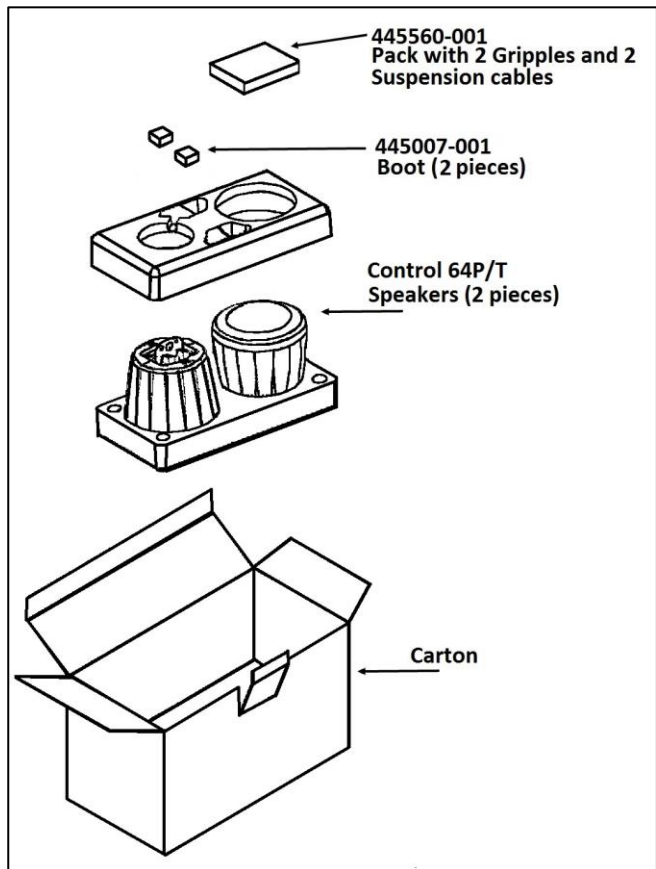
SYSTEM COMPONENTS:

- Grille: 5066737 (Black); 5066745 (White)
- Low Frequency Driver: 5066668; 100 mm (4 in) polypropylene-coated paper with cloth surround, 20 mm (0.8in) copper voice coil.

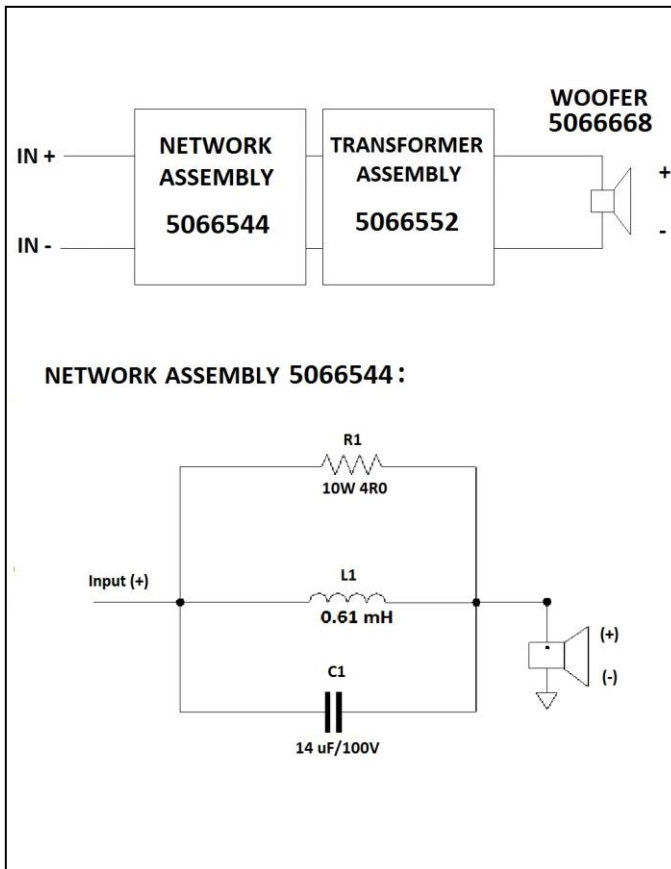
WARRANTY INFORMATION:

- Refer to Warranty Statement packed with each product.

PACKAGING:

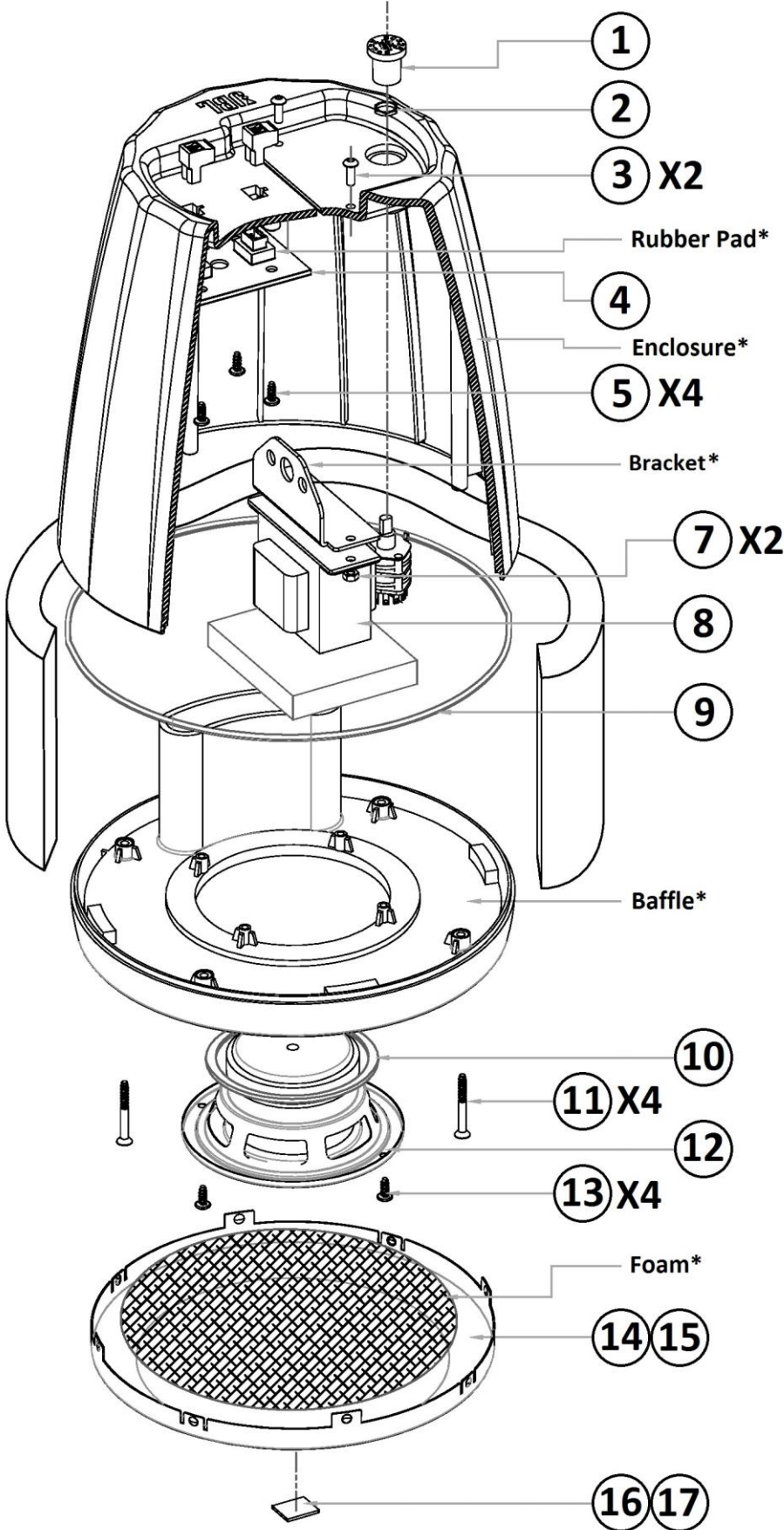


WIRING DIAGRAM:



CONTROL 64P/T

EXPLODED VIEW:
(See part numbers in next page)



CONTROL 64P/T

COMPONENT PARTS LIST:

Item	Part Number	Description	Qty.
1	5066535	KNOB, CONTROL 64PT	1
2	5066538	NUT, CONTROL 64PT	1
3	5066540	SCREW, CONTROL 64PT	2
4	5066544	NETWORK, CONTROL 64PT	1
5	5066546	SCREW, CONTROL 64PT	4
7	5066550	NUT, CONTROL 64PT	2
8	5066552	TRANSFORMER WITH SWITCH	1
9	5066648	EVA, CONTROL 64PT	1
10	5066652	EVA GASKET	1
11	5066666	SCREW, CONTROL 64PT	4
12	5066668	WOOFER, CONTROL 64PT	1
13	5066671	SCREW, CONTROL 64PT	4
14	5066745	GRILLE, CONTROL 64PT WHITE	1
15	5066737	GRILLE, CONTROL 64PT BLACK	1
16	5066747	LOGO, CONTROL 64PT WHITE	1
17	5066739	LOGO, CONTROL 64PT BLACK	1

DIMENSIONS:

