

Technical Manual



JBL EON206

SPECIFICATIONS

ACOUSTIC & ELECTRICAL SPECIFICATIONS:

- System Power Rating: 160 W (2 X 80W)
- Frequency Response: 77Hz – 20kHz (± 3 dB)
- Frequency Range: 64Hz – 22kHz (-10dB)
- Max SPL Output: 113 dB
- Input Impedance:
 - Ch 1-2 Combo: XLR 40 K Ohms Balanced
 - Ch 1-2 Combo: TRS 40 K Ohms Balanced
 - Ch 3-4: TRS 20 K Ohms Balanced
 - Ch 3-4: RCA 5 K Ohms Unbalanced
 - Ch 5-6: 3.5 mm 10 K Ohms Unbalanced
- Crossover Frequency: 3 kHz

Power Draw with 70Hz sine wave:

Power	Watts	Amps
Idle	18	.15
1/8 power	43	.358
1/4 power	83	.671
Full Power	215	1.79

SYSTEM COMPONENTS:

- Cabinet: Enclosure (Not For Sale)
- Grille: 5000151
- Low Frequency Driver: 6.5 in. (165 mm) woofer
- D.C.Resistance: 3.2 ohm +/- 5%

SYSTEM COMPONENTS: (CONT'D)

- High Frequency Driver: 25.4 mm (1 in) neodymium high frequency compression driver
- D.C.Resistance: 6.6 ohm +/- 5 %

AURAL SWEEP TEST SPECIFICATIONS:

- A. System.Aural Sweep Test: 2.0V Input, 50 Hz to 22 kHz
- B. L.F.Aural Sweep Test: 7.0V Input, 50 Hz to 2 kHz
- C. H.F.Aural Sweep Test: 2.0V Input, 1 kHz to 22 kHz

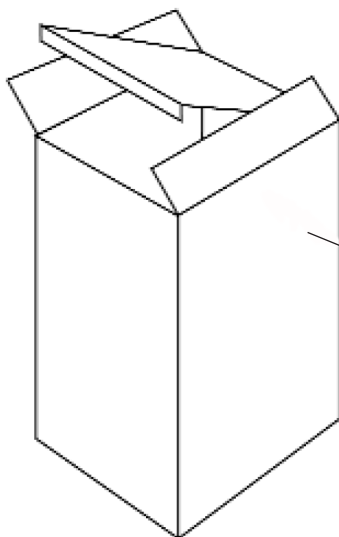
PHYSICAL SPECIFICATIONS:

- Enclosure Dimensions: 530 x 705 x 340 mm (H x W x D) (20.9" X 27.8" x 13.4")
- Net Weight: 11.38 kg (25 lbs)

WARRANTY INFORMATION:

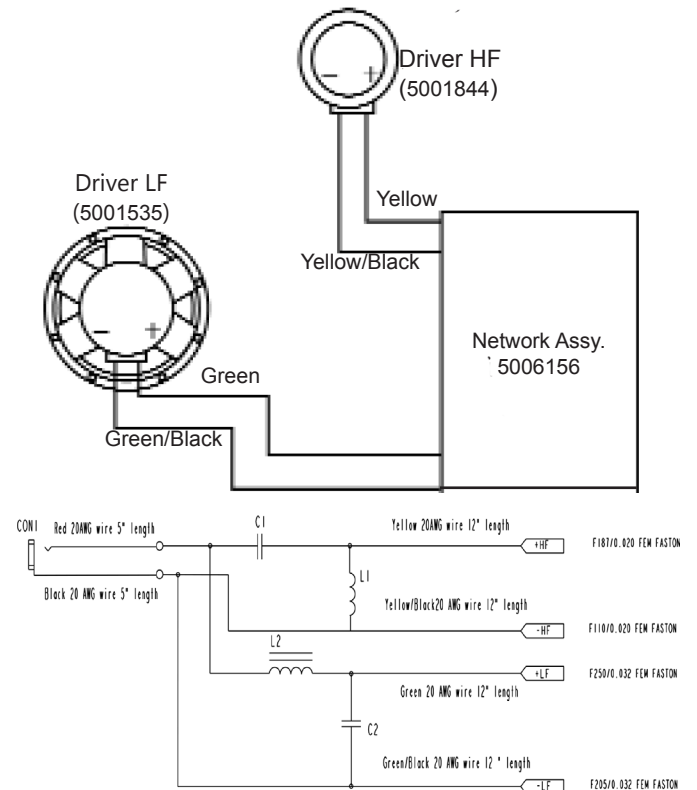
- Refer to Warranty Statement packed with each product.

PACKAGE



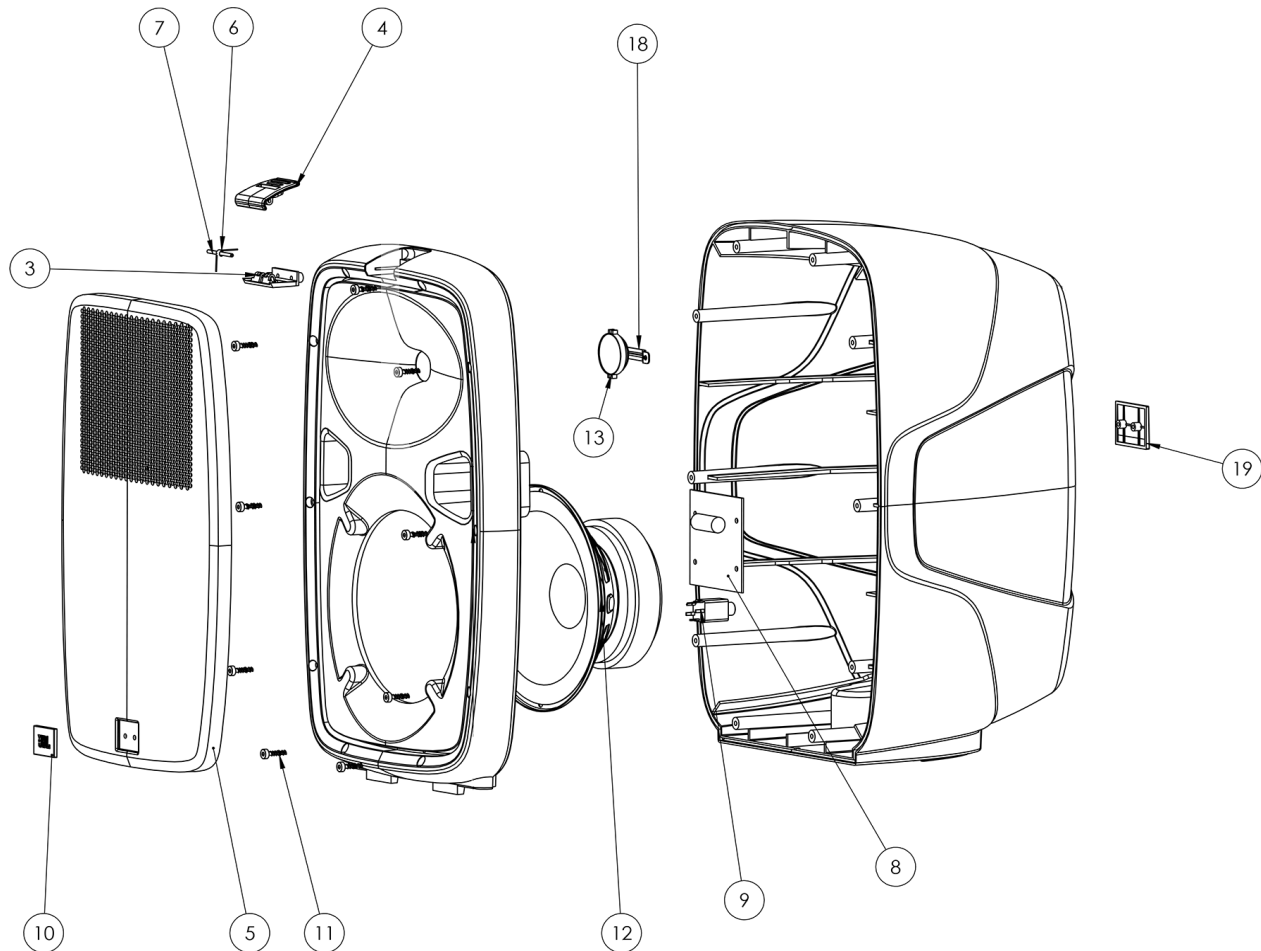
- User's Guide 5001426
- Carton 5001423
- Bottom Tray 5046501
- Top Tray 5046500
- Carton, Outer 5046499
- Filler, Cloth 5049072
- Cord, AC, Line 425-00000-00 (120V) 425-00000-01 (230V)
- Filler 5001427
- Cable, Speaker 5001425

WIRING DIAGRAM



JBL EON 206

COMPONENT EXPLODED VIEW

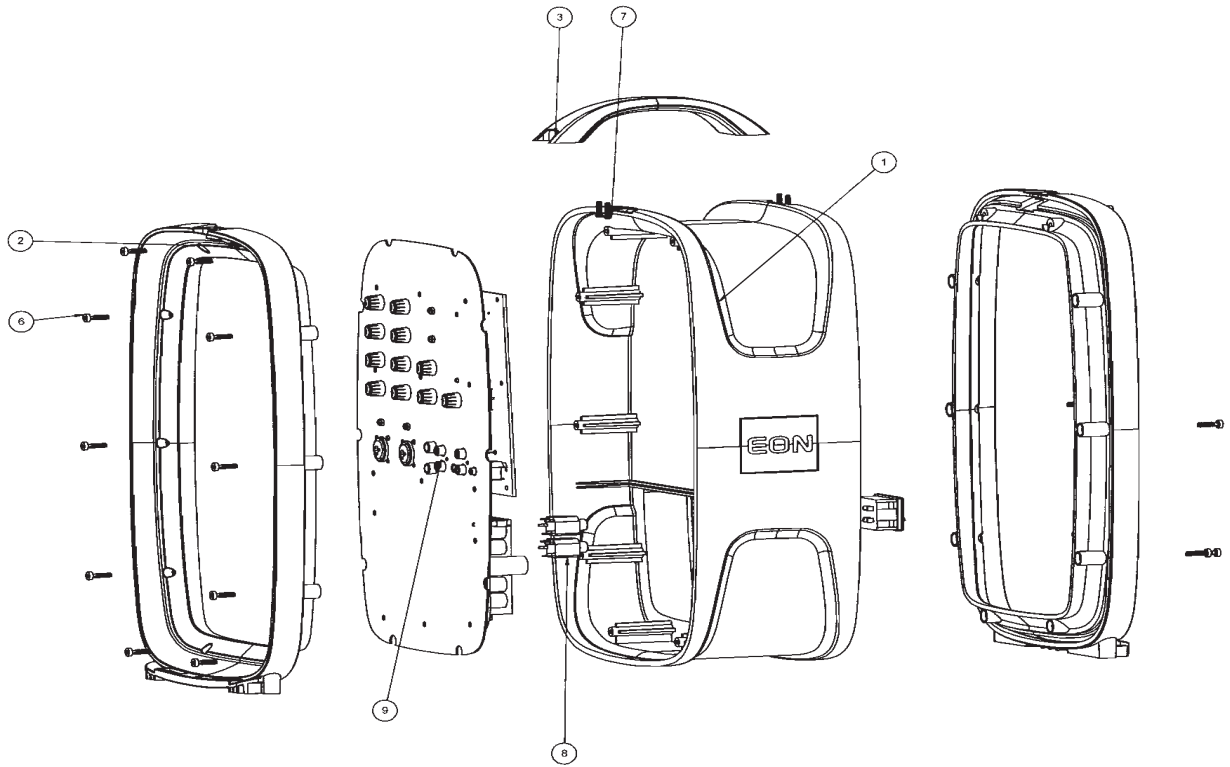


COMPONENT PARTS LIST: 5001428 SPEAKER ASSEMBLY, EON206P

Item	Part No.	Qty	Description	Item	Part No.	Qty	Description
3	5000788	1	BUTTON,HOLDER,LATCH EON206P				
4	5000150	1	BUTTON, LATCH EON206P				
5	5000151	1	GRILLE EON206P				
6	5000179	1	TORSION,SPRING EON206P				
7	5000184	1	LATCH,SPRING,PIN EON206P				
8	5006156	1	NETWORK ASSY, EON206P				
9	445363-001	1	JACK 1-4 T-S				
10	5000176	1	LOGO,FRONT EON206P				
11	365270-001	10	m4-x-42-baffle-screw				
12	5001535	1	WOOFER, EON206P				
13	5001844	1	TWEETER, EON206P				
14	445355-001	10	SCREW,M3.5X9 SELF TAPING SCREW				
15	804-01110-12	4	WOOFER MOUNT SCREWS,10-32X 5/8				
16	5002497	12	SCREW, GRILLE, M6 X 5/8, EON206P				
17	364835-001	1	ENCL GSKT,FM RB CORD X4.66LF				
18	5001536	1	CLAMP, TWEETER, EON206P				
19	5012238	1	LOGO, ENCLOSURE EON206P				
20	5006096		EON206P NETWORK PCB				

JBL EON 206

COMPONENT EXPLODED VIEW

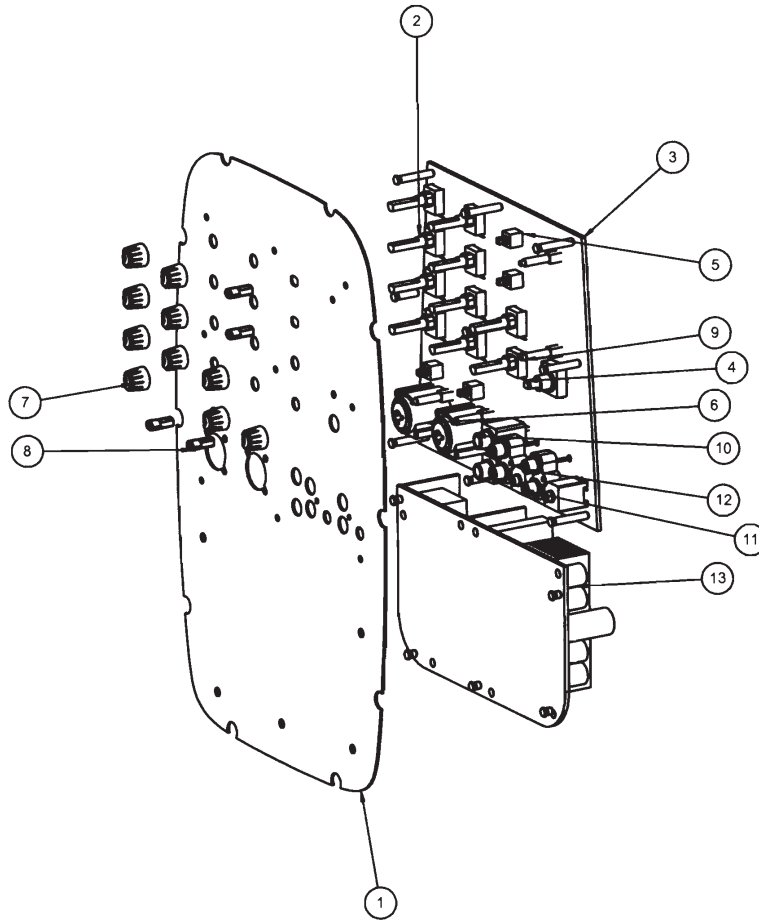


COMPONENT PARTS LIST: 5049200 AMP-MIXER,ASSY,EON206P

Item	Part No.	Qty	Description
1	5000159	1	ENCLOSURE,MIXER EON206P
2	5000153	2	BEZEL,MIXER EON206P
3	5000164	1	HANDLE EON206P
4	5000164	1	handle cover0405
5	5002499	1	AC INLET, EON206P
6	365270-001	20	m4-x-42-baffle-screw
7	445355-001	4	m3-5screw
8	5002507	2	JACK 1-4 T-S
9	5002506	1	MIXER PLATE ASSY, EON206P

JBL EON 206

COMPONENT EXPLODED VIEW



COMPONENT PARTS LIST: 5002498 MIXER ASSY, EON206P

Item	Part No.	Qty	Description
1	5002509	1	INPUT-PLATE-MIXER-EON206P
2	5002511	10	POT
3	5002512	1	MIXER PCB
4	5002516	1	SWITCH-EON206
5	5002517	4	PUSH-BUTTON-SWITCH
6	5002518	2	NEUTRIX-XLR-COMBO MFRP/N:ST-NCJ6FAV-0
7	445045-001	11	EON-MIXER-KNOB
8	445175-001	4	MIXER PUSH BUTTON
9	5002519	4	LED-LONG
10	5001534	2	JACK 1-4 T-S
11	5002520	2	RCA-JACK
12	5002521	1	3-5mm-Jack AMPHENOL ACJS-NV35-3
13	5002499	1	PCB-SMPS

Item	Part No.	Qty	Description