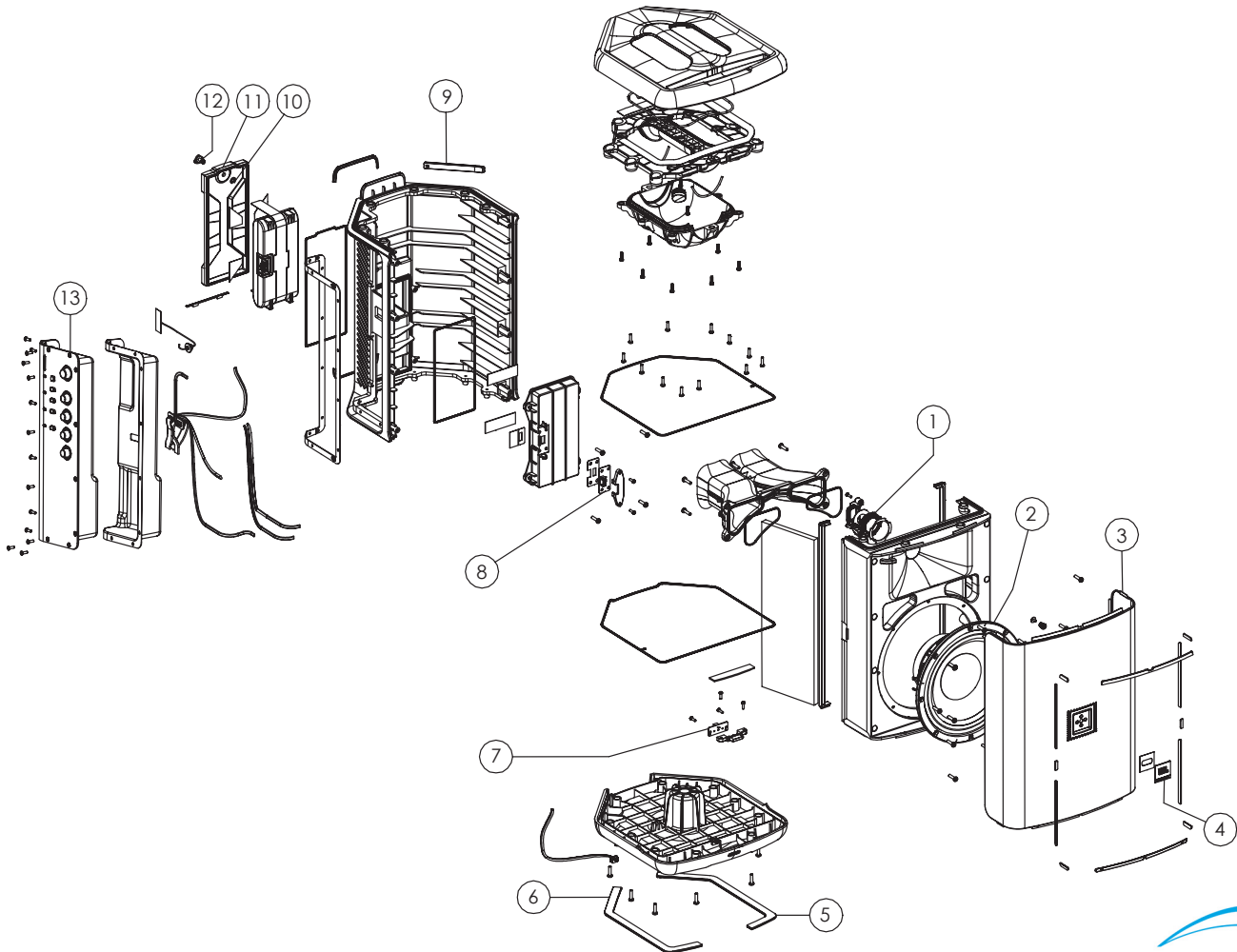


All-in-One Rechargeable Personal PA



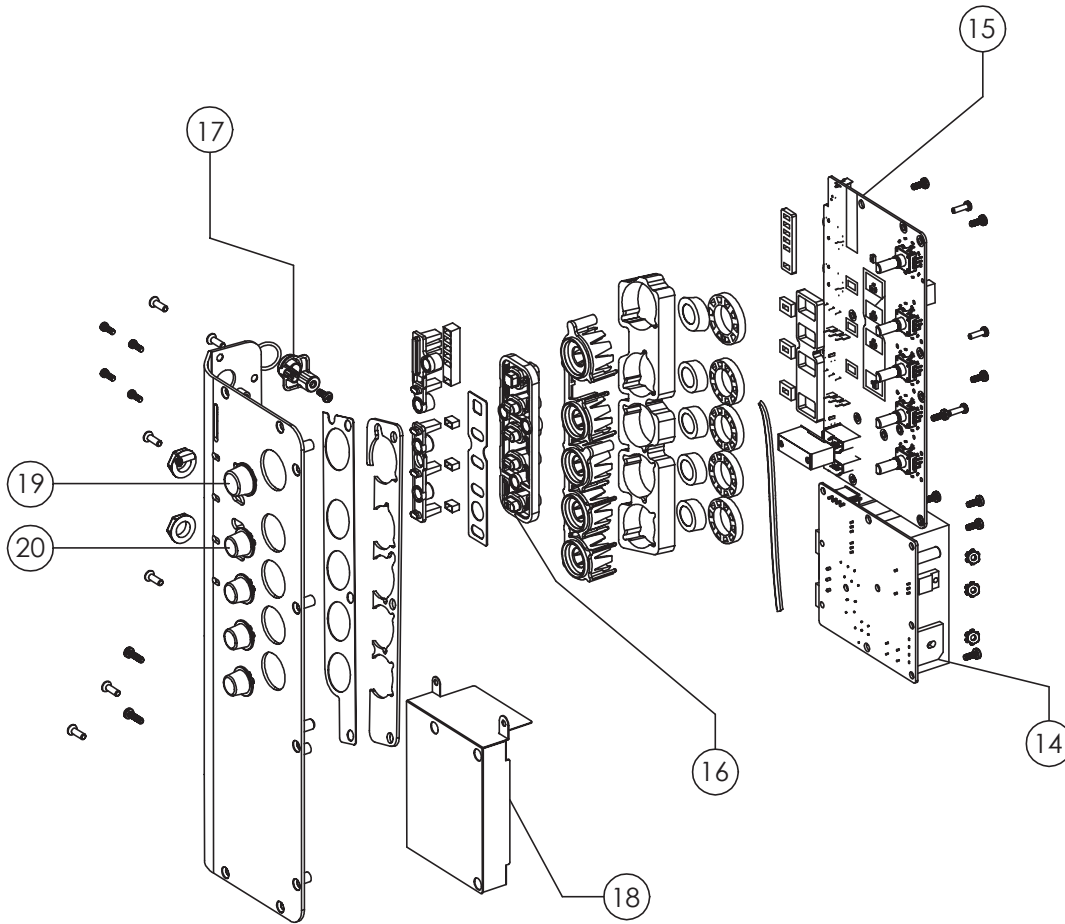
### Spare Parts List

Ref ID	Harman P/N	Description	Qty
1	5125339-00	AUD,LS,TWEETER,1 INCH,EON ONE COMPACT	1
2	5125341-00	AUD,LS,WOOFER,8 INCH,EON ONE COMPACT	1
3	5125358-00	SPKRSYS,GRL,EON ONE COMPACT	1
4	5125372-00	HDW,JBL PRO LOGO,EON ONE COMPACT	1
5	5125373-00	HDW,FT,RBR,L,EON ONE COMPACT	1
6	5125374-00	HDW,FT,RBR,R,EON ONE COMPACT	1
7	5125367-00	PCB,ASY,FRONT LED,DIP,EON ONE COMPACT	1
8	5125359-00	PCB,BTRY CONNECT,DIP,EON ONE COMPACT	1
9	5125375-00	HDW,RBR,SIDE,EON ONE COMPACT	2
10	5125364-00	FSTNR,WSHR,AUX PC,OD10XID4.8XT0.8MM	1
11	5125365-00	ENCL,DOOR,BATTERY,EON ONE COMPACT	1
12	5125366-00	FSTNR,MSCR,M6XL14X1.0P SUS+C	1
13	5125343-00	MECHASY,AMPLIFIER,EON ONE COMPACT	1
	5137660-00	ANT BT 200 50 OHM 2.4 INPAQ K	1



## All-in-One Rechargeable Personal PA

Amplifier Module Spare Parts List			
Ref ID	Harman P/N	Description	Qty
14	5125347-00	PCB,PWR,NVA 26V 4A ALL SMPS R031391N-X	1
15	5125346-00	PCB,MAIN,JBL COMPACT AMPLIFIER TEST ASSY	1
16	5125363-00	HDW,SWCAP,CHANNEL BUTTON,EON ONE COMPACT	1
	5131522-00	HDW,GSKT,EVA,BTBTN,EON ONE COMPACT	1
17	5125362-00	HDW,SWCAP,POWER BUTTON,EON ONE COMPACT	1
	5131521-00	HDW,BRKT,PWRBTN,EON ONE COMPACT	1
18	5125376-00	HDW,INSUL,MYLR PC,EON ONE COMPACT	1
19	5125360-00	HDW,KNOB,MASTER,EON ONE COMPACT	1
20	5125361-00	HDW,KNOB,VOLUME,EON ONE COMPACT	4



Amp Board Spare Components		
Harman P/N	Description	Qty
5125357-00	MDL,ELEC,JBL COMPACT BLUETOOTH,BTM-0214	1
5125368-00	SW,ENCDR,RE1 200XE1-H01-0662	5
5125369-00	SW,PBTN,KFC-A06-01B-50-160	1
5125370-00	SW,PBTN,CHIP TACT KFC-A4.0-01T-20-160	5