

Technical Manual

JBL MP410

SPECIFICATIONS



ACOUSTIC & ELECTRICAL SPECIFICATIONS:

- Nominal Impedance: 8 ohms
- Power Capacity: 300W (IEC Filtered Noise, 100 Hours)
- Frequency Range: 70 Hz – 120 kHz (-10dB)
- Sensitivity: 94 dB SPL, 1 Watt @ 1 Meter
- Crossover Frequency: 2 kHz

SYSTEM COMPONENTS:

- Cabinet: Enclosure MP410
- Grille: 128-00433-01
- Low Frequency Transducer: 250mm (10 in.) 127H-4 Transducer (336955-001X)
- DC Resistance: 6.6 ohms
- High Frequency Transducer: 2412H 1in. Compression Driver (125-10000-00X)
- DC Resistance: 3.6 ohms

SYSTEM COMPONENTS: (Cont'd)

- Crossover Network: 336957-001

AURAL SWEEP TEST SPECIFICATIONS:

- A. System Aural Sweep Test: 7.0V Input, 20 Hz to 20 kHz
- B. L.F. Aural Sweep Test: 7.0V Input, 20 Hz to 1.2 kHz
- C. H.F. Aural Sweep Test: 2.83V Input, 550 kHz to 20 kHz

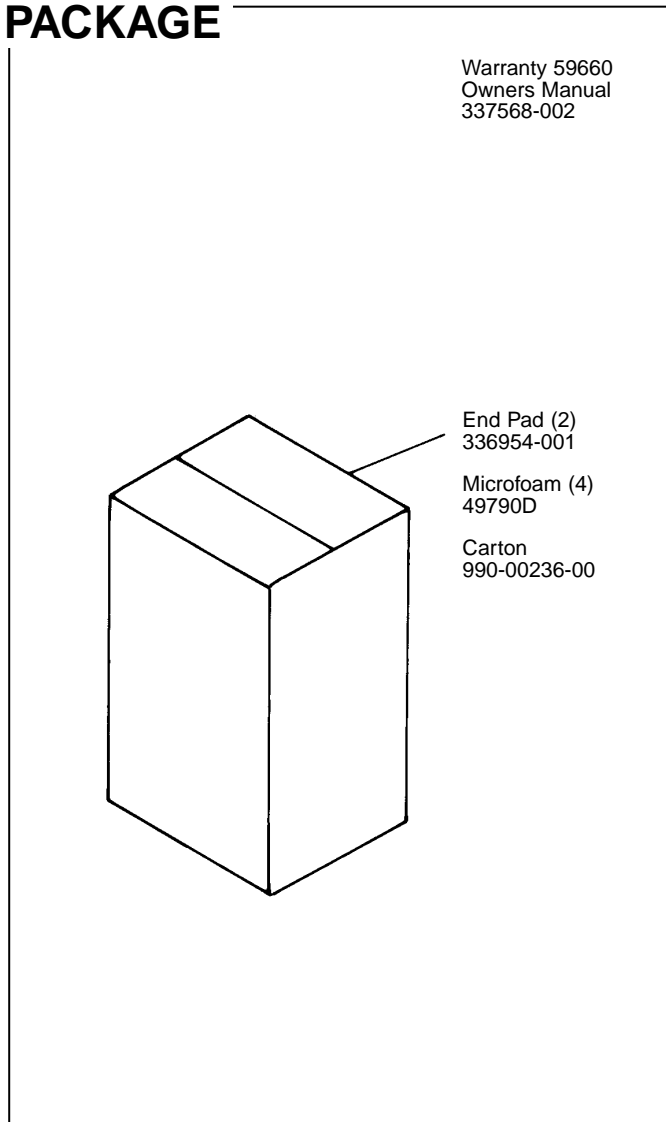
PHYSICAL SPECIFICATIONS:

- Enclosure Dimensions: 508mm x 338.4mm x 299.7mm D (20.0 x 13.3 x 11.8 in. D)
- Net Weight: 34 lbs. (15.4 kg.)

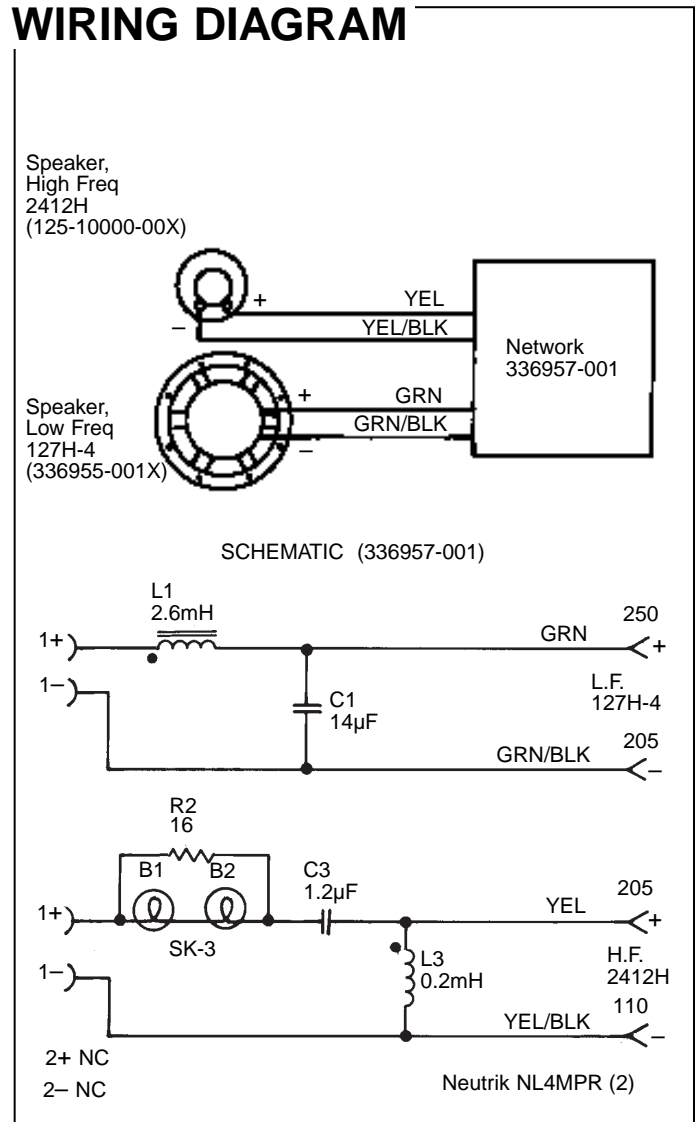
WARRANTY INFORMATION:

- Refer to Warranty Statement packed with each product.

PACKAGE



WIRING DIAGRAM



JBL MP410 REV S

JBL MP410

COMPONENT EXPLODED VIEW

