

Technical Manual

JBL MP412

SPECIFICATIONS



ACOUSTIC & ELECTRICAL SPECIFICATIONS:

- Nominal Impedance: 8 ohms
- Power Capacity: 350W
- Frequency Range: 50 Hz – 20 kHz (-10dB)
- Sensitivity: 99 dB SPL, 1 Watt @ 1 Meter
- Crossover Frequency: 1.8 kHz

SYSTEM COMPONENTS:

- Cabinet: Enclosure MP412
- Grille: 128-00432-01
- Low Frequency Transducer: 300mm (12 in.) 2023H Transducer (337215-001X)
- DC Resistance: 5.3 ohms
- High Frequency Transducer: 2406H, 2406H-1 1 in Compression Driver
- DC Resistance: 4.3 ohms

SYSTEM COMPONENTS: (Cont'd)

- Crossover Network: 337216-002

AURAL SWEEP TEST SPECIFICATIONS:

- A. System Aural Sweep Test: 7.0V Input, 20 Hz to 20 kHz
- B. L.F. Aural Sweep Test: 6.0V Input, 20 Hz to 2 kHz
- C. H.F. Aural Sweep Test: 0.75V Input, 200 Hz to 1 kHz

PHYSICAL SPECIFICATIONS:

- Enclosure Dimensions: 605mm x 396mm x 344mm D (23.9 x 15.6 x 13.6 in. D)
- Net Weight: 47 lbs. (21.4 kg.)

WARRANTY INFORMATION:

- Refer to Warranty Statement packed with each product.

PACKAGE

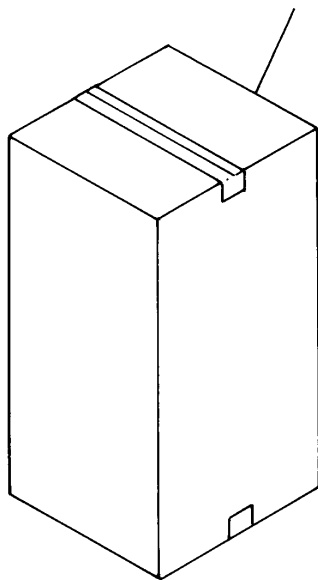
Warranty 59660
Owners Manual
337568-002

End Pad (2)
337218-001

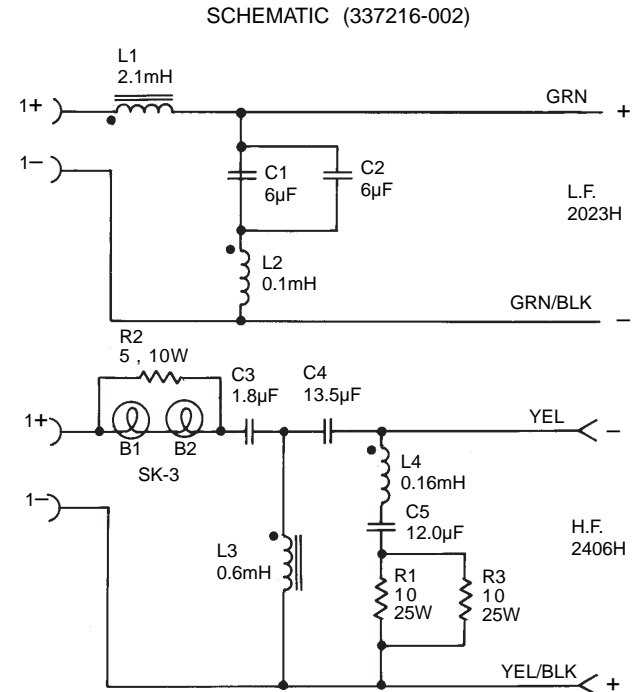
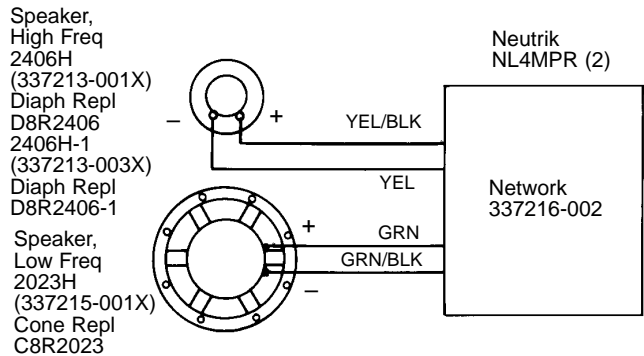
Microfoam (4)
49790P

Carton MP412
337217-001

Filler (2)
338482-001



WIRING DIAGRAM



JBL MP412

COMPONENT EXPLODED VIEW

