

Technical Manual

JBL MP418S

SPECIFICATIONS



ACOUSTIC & ELECTRICAL SPECIFICATIONS:

- Nominal Impedance: 4 ohms
- Power Capacity: 600W (IEC Filtered Noise, 100 Hours)
- Frequency Range: 38 Hz – > 300 Hz (–10dB)
- Sensitivity: 96 dB SPL, 1 Watt @ 1 Meter

SYSTEM COMPONENTS:

- Cabinet: Enclosure MP418S
- Grille: 128-00436-01
- Low Frequency Transducer: 460mm (18in.) 2241GPL Transducer (71126-03X)
- DC Resistance: 2.5 ohm ±10%

SYSTEM COMPONENTS: (Cont'd)

- Network: 336979-002

AURAL SWEEP TEST SPECIFICATIONS:

- A. System Aural Sweep Test: 7.0V Input, 20 Hz to 1.2 kHz
- B. L.F. Aural Sweep Test: 10V Input, 20 Hz to 1.2 kHz

PHYSICAL SPECIFICATIONS:

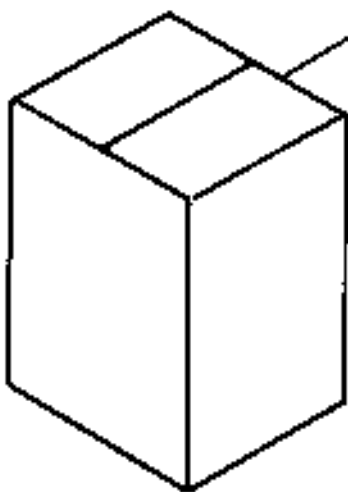
- Enclosure Dimensions: 617.9mm x 538.1mm x 598.4mm D (24.3 x 21.2 x 23.6 in. D)
- Net Weight: 64 lbs. (29 kg.)

WARRANTY INFORMATION:

- Refer to Warranty Statement packed with each product.

PACKAGE

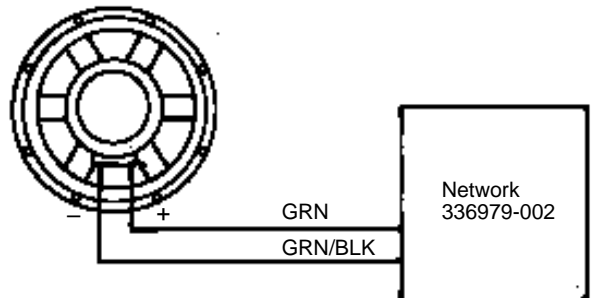
Warranty 59660
Owners Manual 337568-002



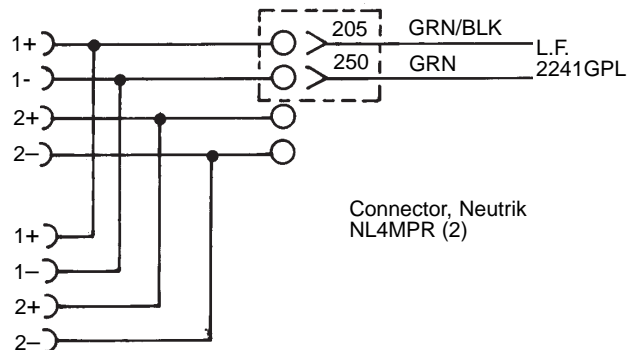
- End Pad (2) 336978-001
- Microfoam (8) 49790D
- Carton 336977-001
- Filler (2) 337980-001

WIRING DIAGRAM

Speaker, Low Freq
(71126-03X)
2241GPL
Cone Repl
C4R2241



SCHEMATIC (336979-001)



Connector, Neutrik
NL4MPR (2)

