

Technical Manual

JBL MS125S/WH

SPECIFICATIONS



ACOUSTIC & ELECTRICAL SPECIFICATIONS:

- Nominal Impedance: 4 ohms
- Power Capacity: 700W, AES Noise 2800W Peak
- Frequency Range: 35 Hz – 250 Hz (–10dB)
- Sensitivity: 103 dB SPL, 1 Watt @ 1 Meter
- Crossover Frequency: 200 Hz 6dB/octave internal

SYSTEM COMPONENTS:

- Cabinet: (Not For Sale)
- Grille: 128-00393-6, 128-00393-00 (Wh)
- Low Frequency Transducer: 380mm (15 in.) Cone Transducer (2032H) (2)
DC Resistance: 4.3 ohm ± 10%
- Crossover Network/ Terminal Cup: 129-10032-00

AURAL SWEEP TEST SPECIFICATIONS:

- A. System Aural Sweep Test: 7.0V Input, 20 Hz to 1.2 kHz
- B. L.F. Aural Sweep Test: 7.0V Input, 20 Hz to 1.2 kHz

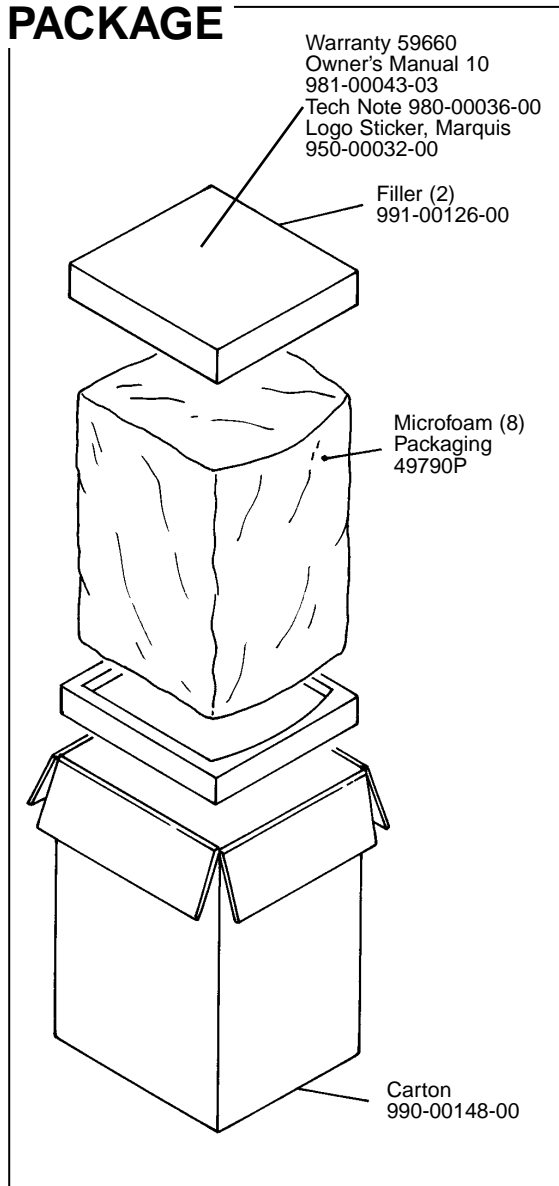
PHYSICAL SPECIFICATIONS:

- Enclosure Dimensions: 922mm x 569mm x 572mm D (36.3 x 22.4 x 22.5 in. D)
- Weight: 100 lbs. (45.5 kg.)

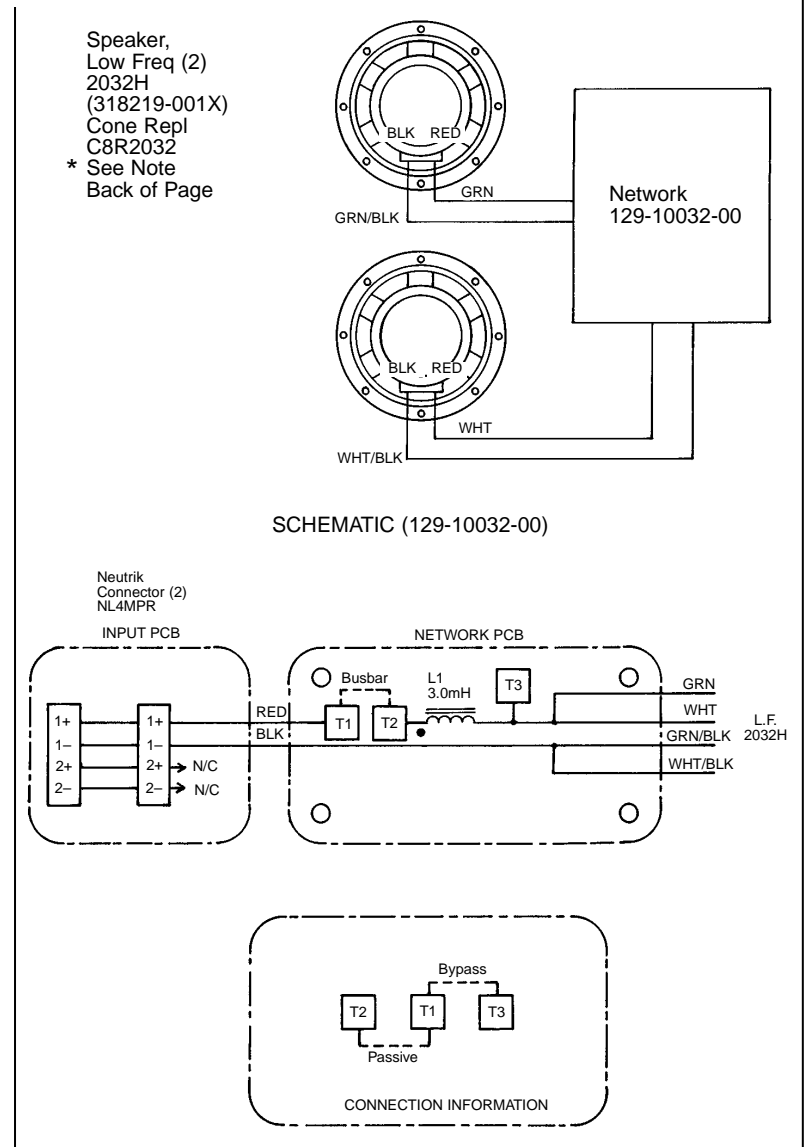
WARRANTY INFORMATION:

- Refer to Warranty Statement packed with each product.

PACKAGE



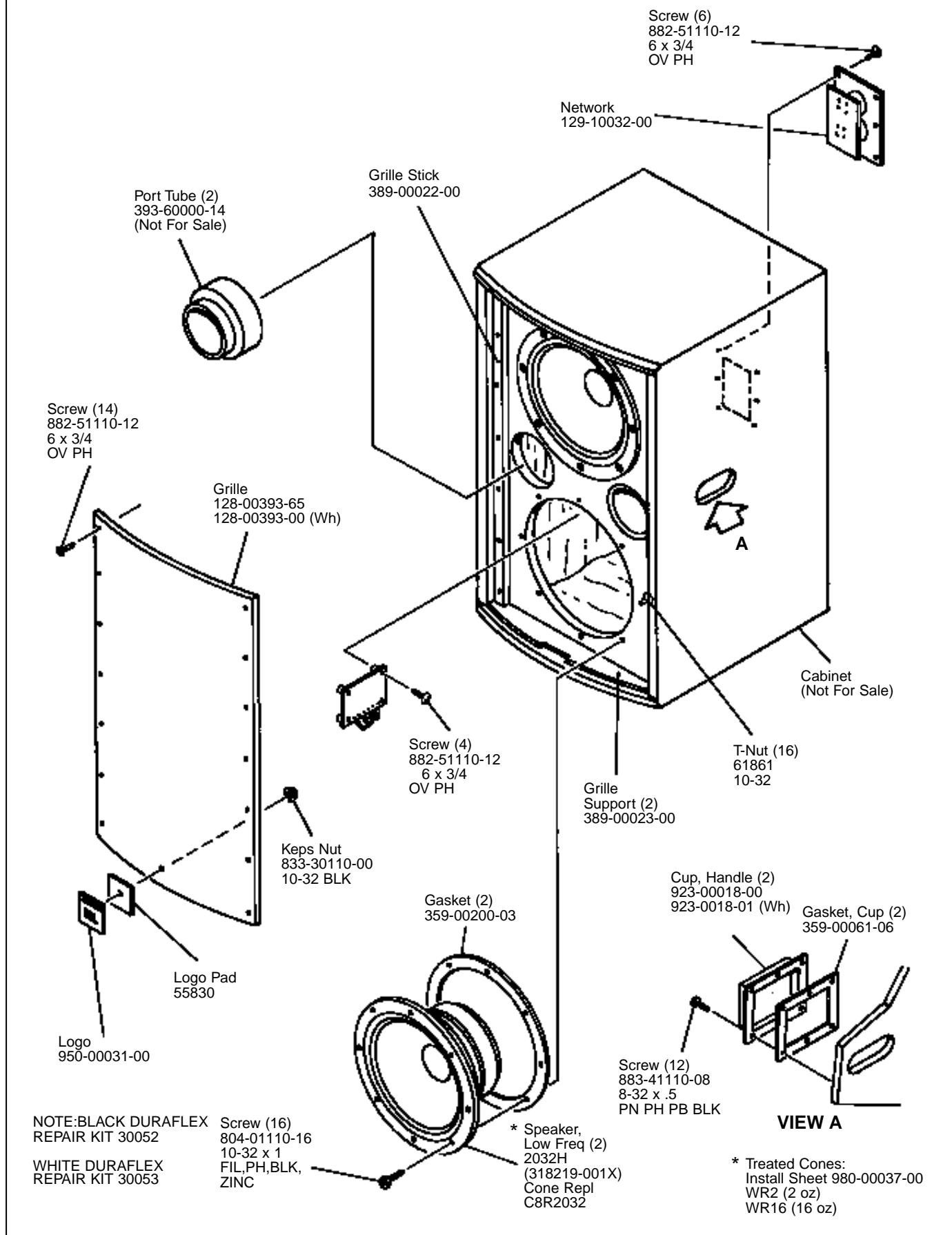
WIRING DIAGRAM



JBL MS125S/WH REV I

JBL MS125S/WH

COMPONENT EXPLODED VIEW



JBL MS125S/WH