

# Technical Manual



# JBL MS26/WH

## SPECIFICATIONS

### ACOUSTIC & ELECTRICAL SPECIFICATIONS:

- Nominal Impedance: 16 ohms
- Power Capacity: 150W IEC: 600W Peak
- Frequency Range: 45 Hz – 20 kHz (–10dB)
- Sensitivity: 91 dB SPL, 1 Watt @ 1 Meter
- Crossover Frequency: 2.8 kHz

### SYSTEM COMPONENTS:

- Cabinet: (Not For Sale)
- Grille: 128-00333-65, 128-00333-00 (Wh)
- Low Frequency Transducer: 150mm (6 in.) Cone Transducer (506G-2S) (2)  
DC Resistance: 4.5 ohm ± 5%
- High Frequency Transducer: 25mm (1 in.) Titanium Composite Diaphragm (053TIS)  
DC Resistance: 3.5 ohm ± 10%

### SYSTEM COMPONENTS: (cont'd)

- Crossover Network/ Terminal Cup: 129-20040-01

### AURAL SWEEP TEST SPECIFICATIONS:

- A. System Aural Sweep Test: 10V Input, 20 Hz to 20 kHz
- B. L.F. Aural Sweep Test: 7.0V Input, 20 Hz to 1.2 kHz
- C. H.F. Aural Sweep Test: 2.0V Input, 2 kHz to 20 kHz

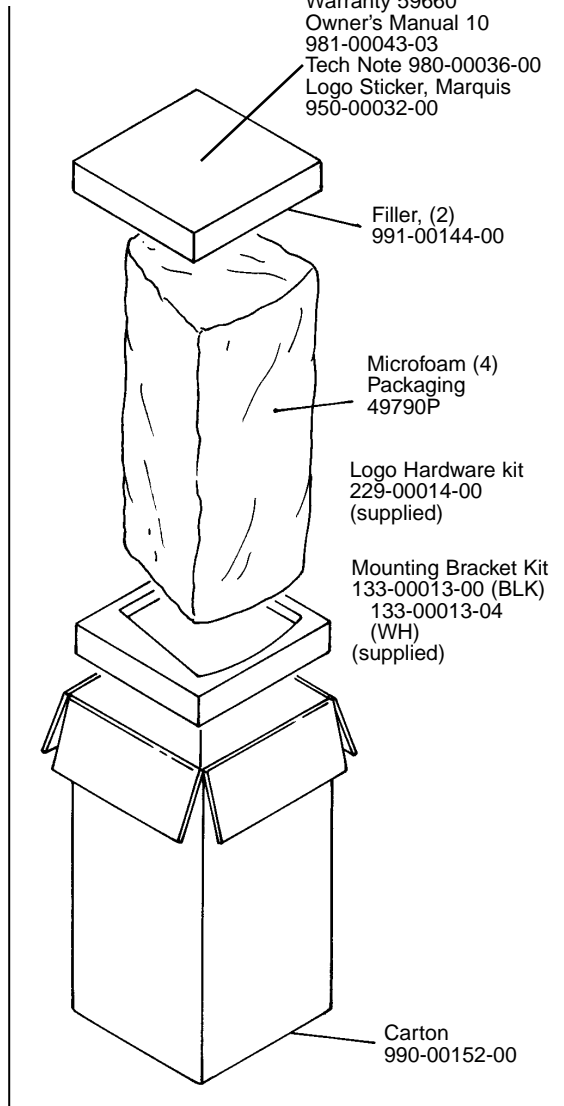
### PHYSICAL SPECIFICATIONS:

- Enclosure Dimensions: 610mm x 219mm x 244mm D (24.0 x 8.6 x 9.6 in. D)
- Weight: 18 lbs. (8.2 kg.)

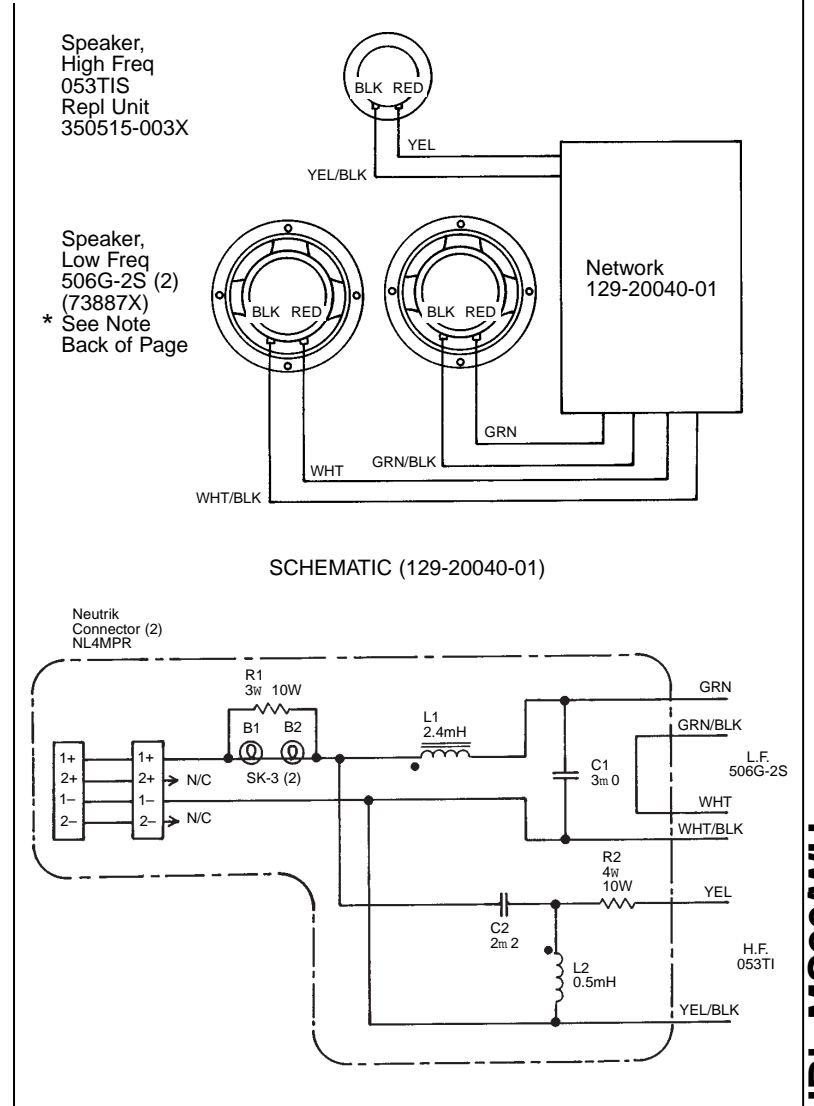
### WARRANTY INFORMATION:

- Refer to Warranty Statement packed with each product.

## PACKAGE



## WIRING DIAGRAM



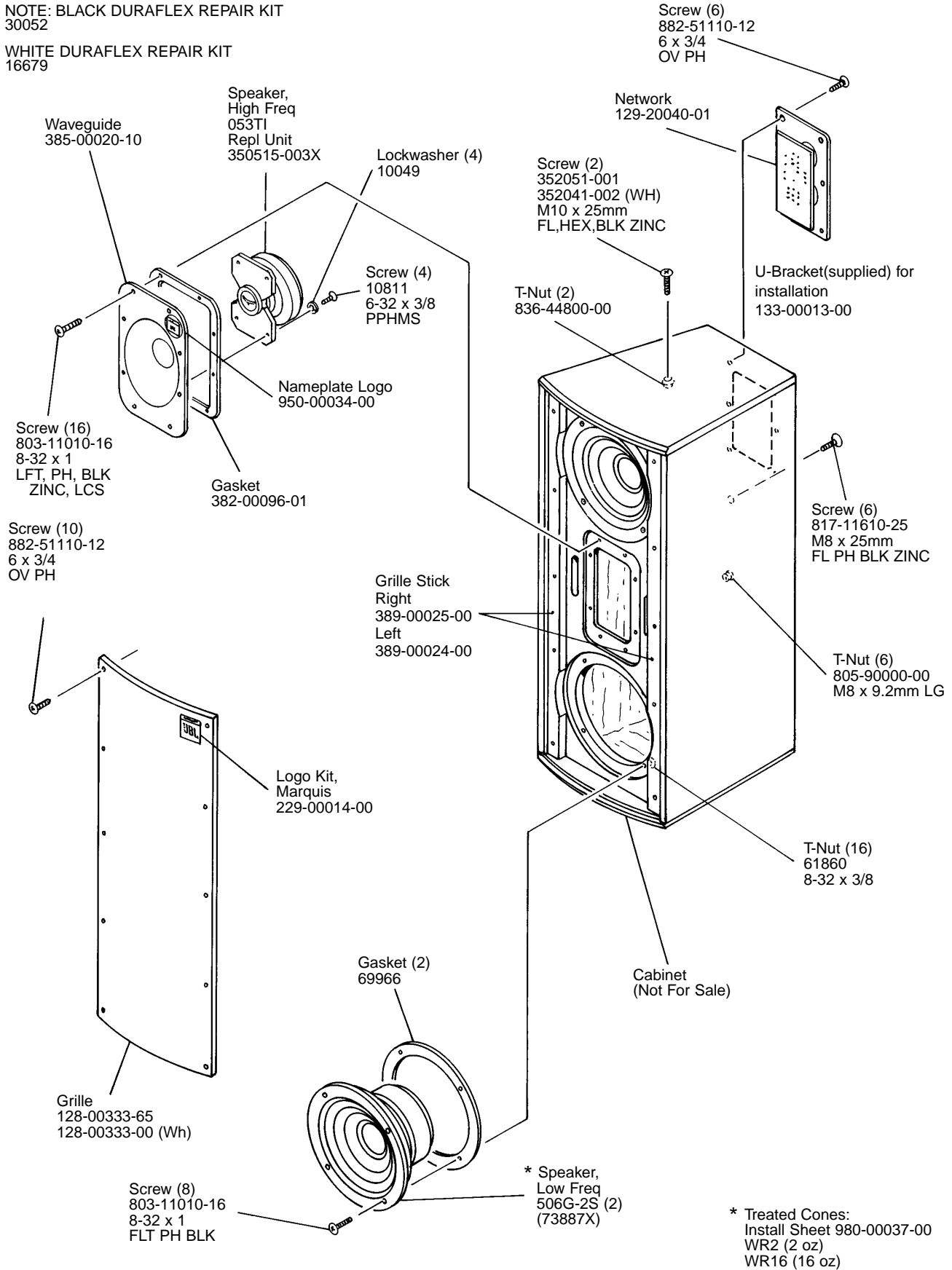
JBL MS26/WH REV Q

# JBL MS26/WH

## COMPONENT EXPLODED VIEW

NOTE: BLACK DURAFLEX REPAIR KIT  
30052

WHITE DURAFLEX REPAIR KIT  
16679



\* Treated Cones:  
Install Sheet 980-00037-00  
WR2 (2 oz)  
WR16 (16 oz)