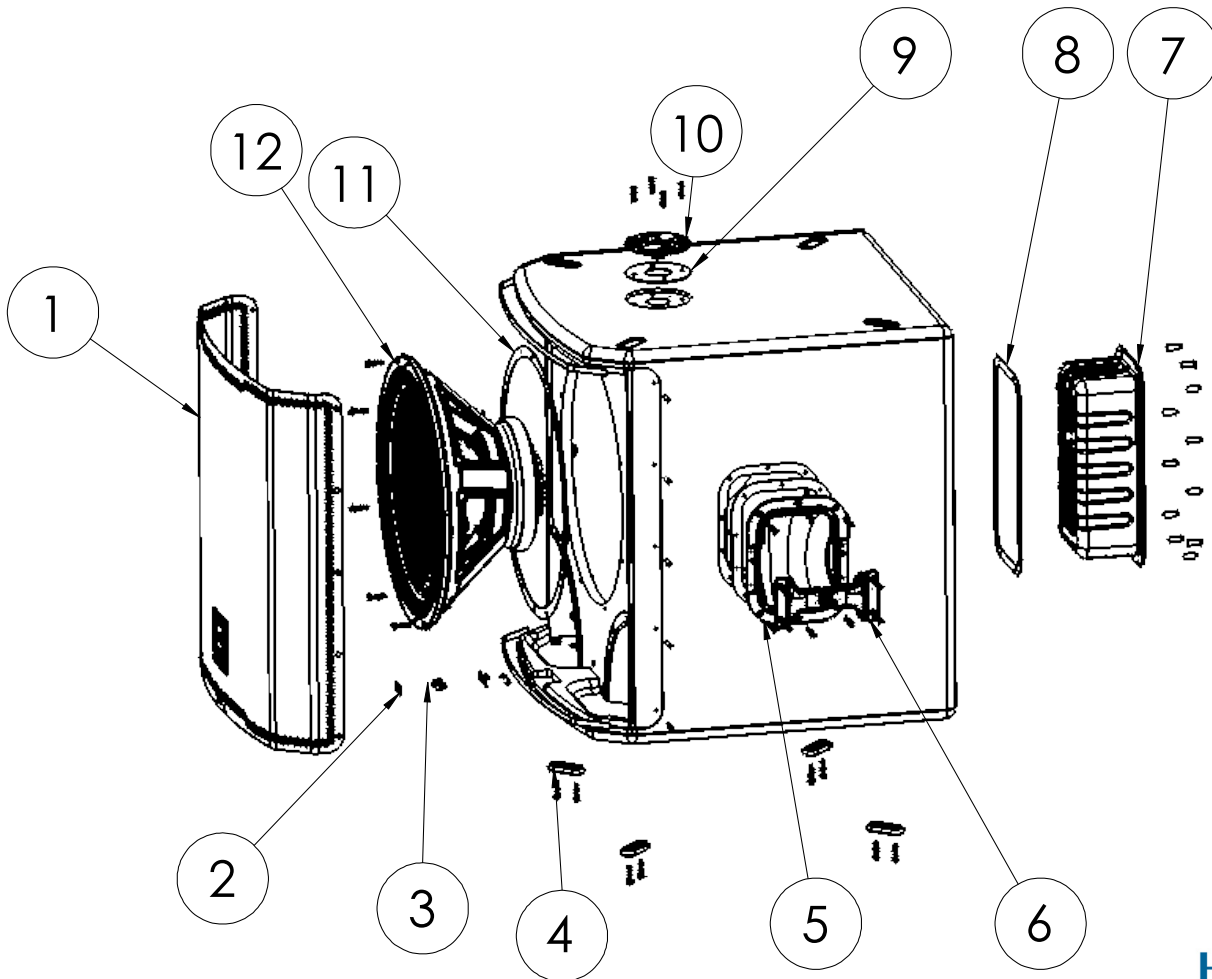


18" Self-Powered Extended Low Frequency Subwoofer System with Bluetooth



Speaker Spare Parts List				
Ref ID	P/N	Description	Qty	SKU
1	5138573-00	SPKRSYS, GRL, ASY, w/Logo, PRX918XLF	1	
2	5136378-00	HDW,EVA,LIGHTPIPE,PRX915XLF	1	
3	5135515-00	LENS,PRX915XLF	1	
4	5130975-00	HDW,FOOT,SRX918S	4	
5	5124726-00	HDW,HANDLE CUP,SRX918S	2	
6	5124727-00	HDW, HANDLE BAR WITH RUBBER,SRX918S	2	
7	5135054-00	PRX900 AMP MODULE, SUBWOOFER	1	AU CN EKD IN
	5137452-00	PRX900 AMP MODULE, SUBWOOFER for TJ	1	NA EK
8	5135521-00	HDW,EVA,AMPLIFIER,PRX915XLF	1	
9	5136869-00	HDW,GASKET,POLE MOUNT,PRX915XLF	1	
10	5124245-00	MECHASY,Pole Hat, BRX325SP	1	
11	5135549-00	HDW,EVA,WOOFER,PRX918XLF	4	
12	5133918-00X	AUD,LS,ASY,918SG WOOFER FOR CS	1	NA EK
	5139547-00	AUD,LS,ASY,918SG WOOFER (DANDONG for CS)	1	AU CN EKD IN
	5124237-00	MECHASY,POLEMOUNTPLATE, BRX325SP	1	
	PENDING	918SG CONE KIT		



18" Self-Powered Extended Low Frequency Subwoofer System with Bluetooth

Amplifier Module Spare Parts List

Ref ID	PN	Description	Qty
1	5138419-00	ENCL,PNL,IO,BACK,PRX918	1
2	5138422-00	HDW,SHLD,AL1050,AMP,PRX918	1
3	5136026-00	HDW,KNOB,MASTER,EON700	1
4	5134175-00	OPTO,DSPL,LCD,EON ONE MK2	1
5	5138423-00	HDW,SWCAP,BTN,PWR,PRX900	1
6	5138424-00	HDW,SWCAP,BTN,BACK,PRX900	1
7	5138480-00	PCB,ASY,DSP,UI,TST,PRX918	1
8	5138425-00	HDW,BRKT,PSU,ALUMINUM,PRX900	1
9	5138476-00	ANT,BT,356MM,50OHM.PRX918	1
10	5138481-00	PCB,ASY,SMPS,TST,PRX918	1

Power Cables

P/N	Region
425-00000-00	N. America
425-00000-01	Europe
5027842	China
5028427	Australia
5134942-00	British
5137386-00	Japan

