



Service Manual

PRX918XLF

18" Self-Powered Extended Low
Frequency Subwoofer with Bluetooth





Table of Contents

Exploded View Diagrams

System Architecture Diagram

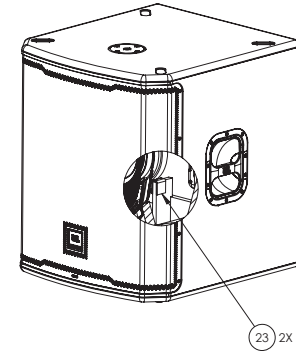
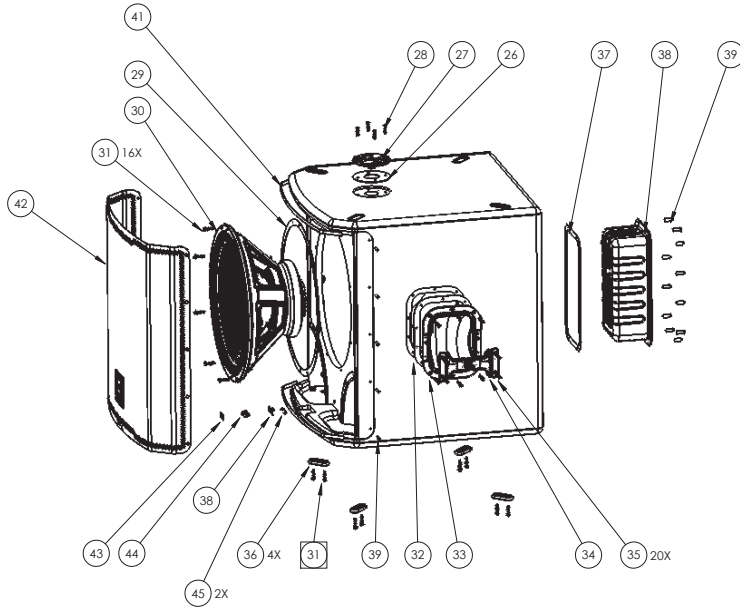
Amplifier Schematics

Bill of Materials



SQUARE CIRCLE WITH NUMBER MEANS THE SAME PART USED ON THE DIFFERENT POSITION

ITEM 41 AT THE BOTTOM NEED TO BE CUT TO 2 PIECES TO LEAVE THE SPACE FOR LED BOARD.



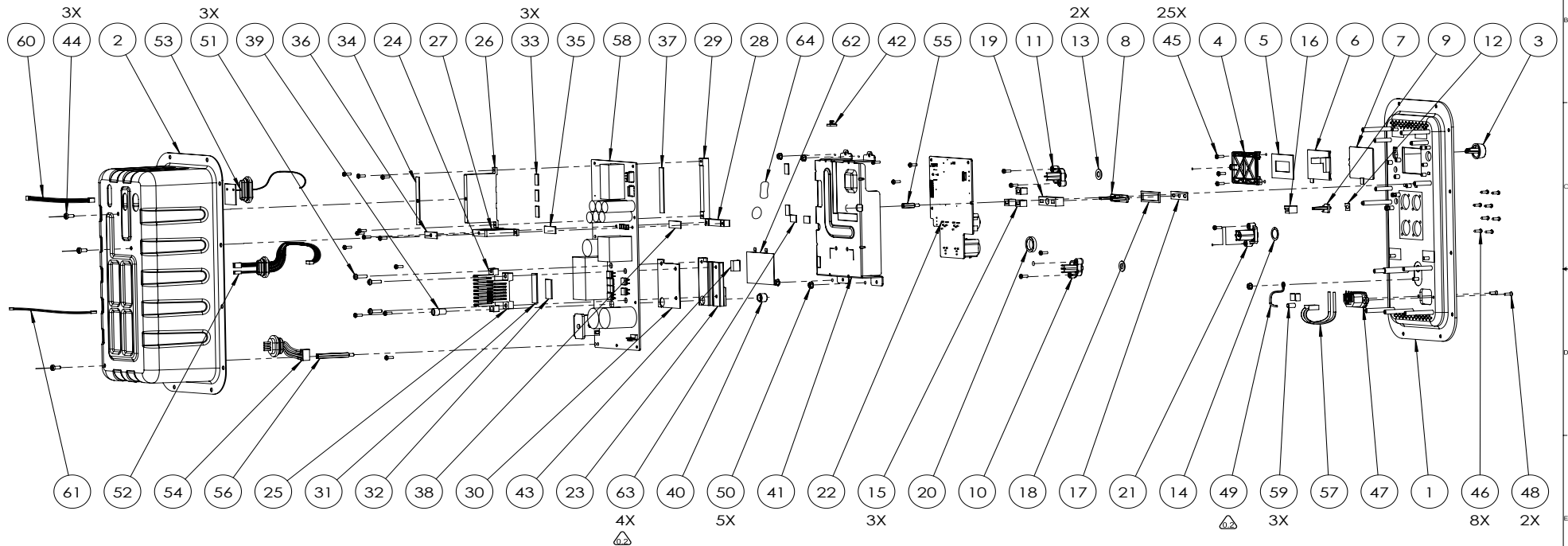
KEEP ITEM 23 FLUSH WITH BRACE (ITEM 14) AT FRONT SIDE, USING ITEM 24 TO NAIL ITEM 23 TO ITEM 14 AT BOTH SIDES.

15. TORQUE FOR ALL SCREWS TO BE +/- 2 LBS-IN.
14. AFTER PACKAGING CARTON SHALL BE SECURED WITH A MINIMUM OF 4 BANDS OF PLASTIC STRAPPING.
13. ALL GLUE SPILL VISIBLE THRU PORT OPENING SHALL BE CLEANED UP BEFORE PAINTING THE ENCLOSURE.
12. KEEP THE ANTENNA WIREHARNNESS TO ANTENNA BRACKET (ITEM 22) INSIDE THE CABINET IN PLACE.
11. KEEP LED WIREHARNNESS CONNECT FROM AMPLIFIER (ITEM 38) TO LED BOARD (ITEM 38) IN PLACE.
10. TORQUE GRILLE SIDE SCREWS (ITEM 39) TO 20 LBS-IN.
9. TORQUE LED BORAD SCREWS (ITEM 39) TO 10 LBS-IN.
8. TORQUE HANDLE SCREWS (ITEM #35) TO 15 LBS-IN.
7. TORQUE FOOT SCREWS (ITEM 31) TO 20 LBS-IN.
6. TORQUE WOOFER SCREWS (ITEM 31) TO 25 LBS-IN. 5. TORQUE AMPLIFIER SCREWS (ITEM 39) TO 20 LBS-IN.
4. TORQUE POLE MOUNT SCREWS (ITEM 28) TO 30 LBS-IN.
3. ADHESIVE JOWAT (ITEM 49) TO BE APPLIED ON SHOULDER DETAILS AROUND GROOVES AND END PANELS.
2. SECURE ALL PANELS WITH ADHESIVE URTHANE (ITEM 48) APPLIED TO ALL GROOVES.
1. FINISH: FUTURA BASE COATING BULK 0.020" -0.030" THICK (ITEM 46) ALIPHATIC TOP COATING 0.05" - 0.010" THICK (ITEM 47) .

REV		C	
JBL PRX918XLF			
SIZE	SCALE	DO NOT SCALE	SHEET
A2	1:10	DRAWING	2 OF 5

Exploded View Diagram - Amplifier Module

REV.	Description	By	Date	ECN No.
△	Initial Release		2021/6/7	
△	Change and add part		2021/10/11	

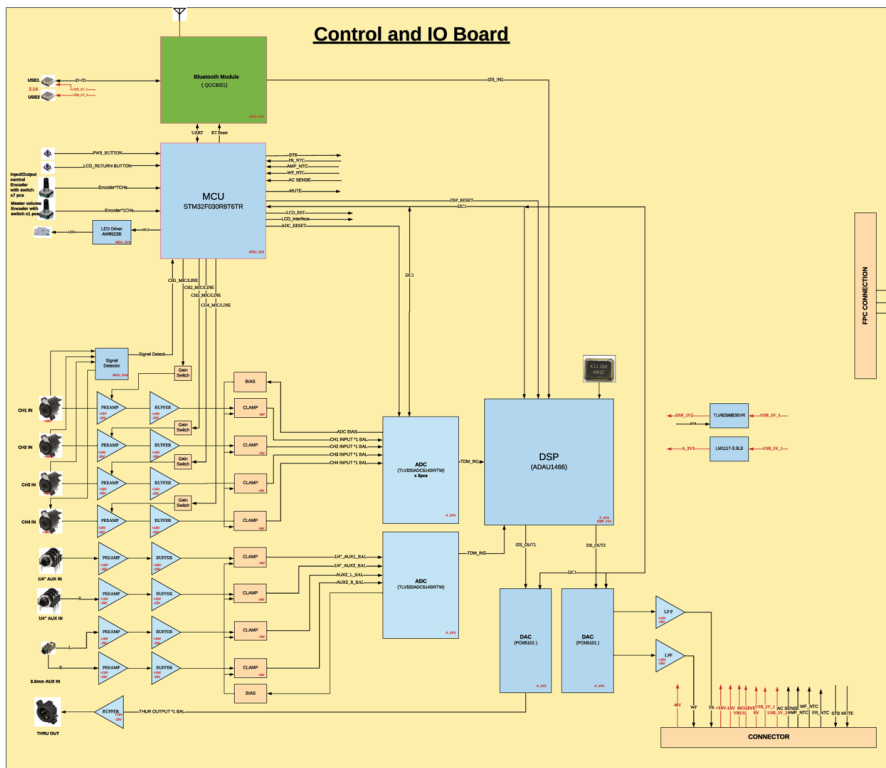
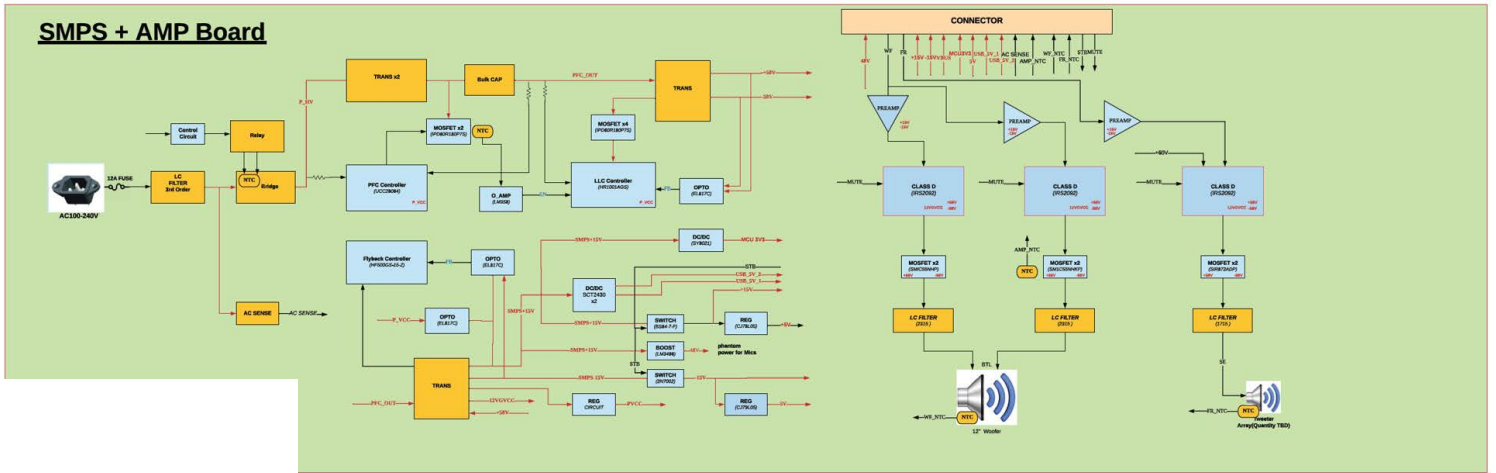


Note:

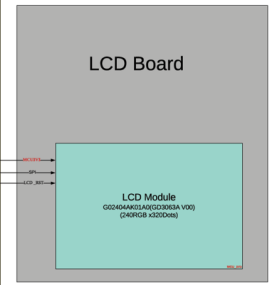
- Follow customer's specification as required. When customer's environmental requirements has conflict with TYM's requirements, the stricter one should be followed.
符合客区的要求, 当客区的环保要求与TYM的要求相冲突时, 区遵循更严格的要求。
- 无卤要求 / Halogen- Free requirement : Br<900 ppm, Cl<900 ppm, B+Cl< 1500 ppm ;
是否需要无卤要求/if need follow Halogen- Free requirement
需要/Yes / 不需要/No (用"☐☐☐☐/Follow item marked")

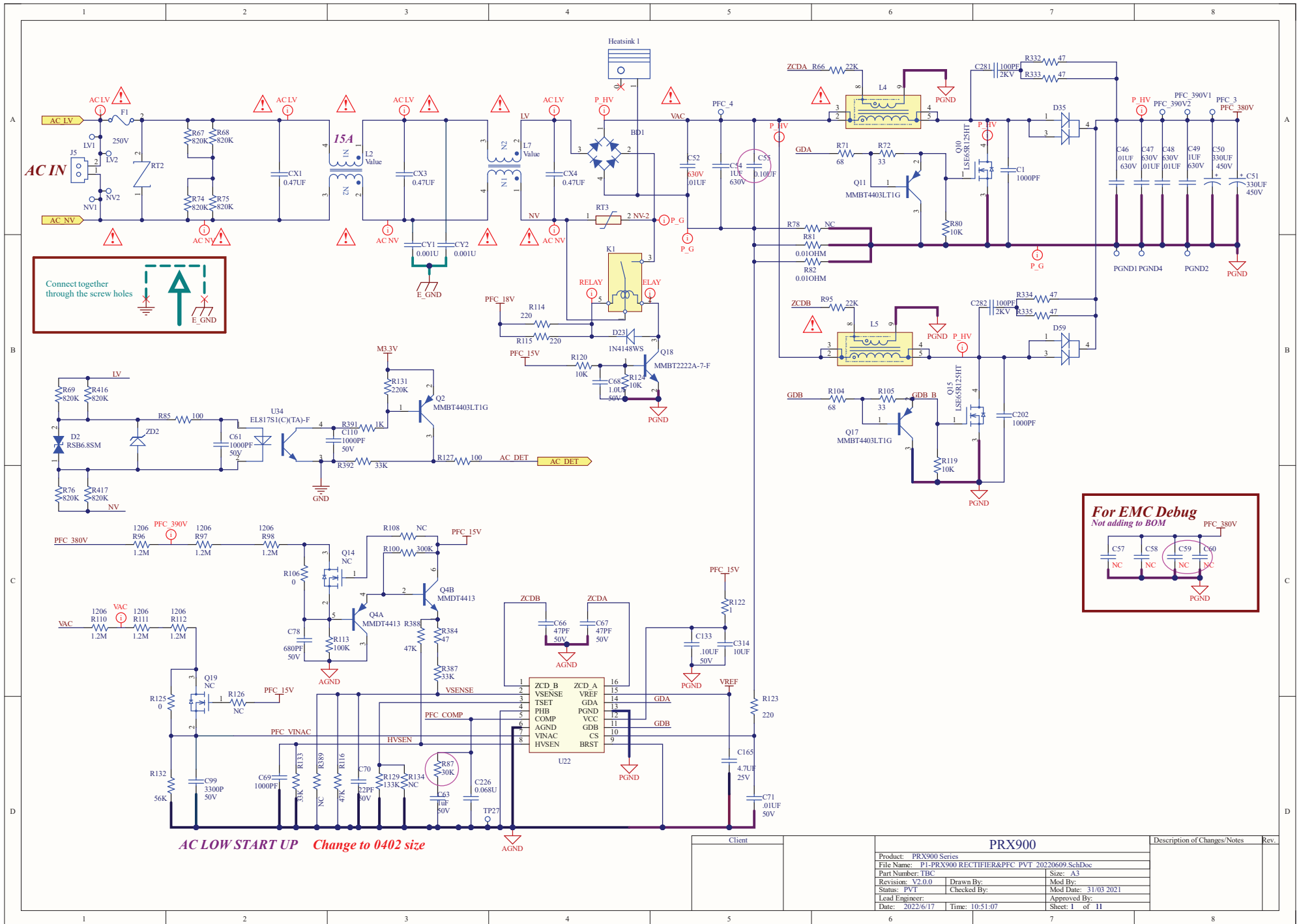


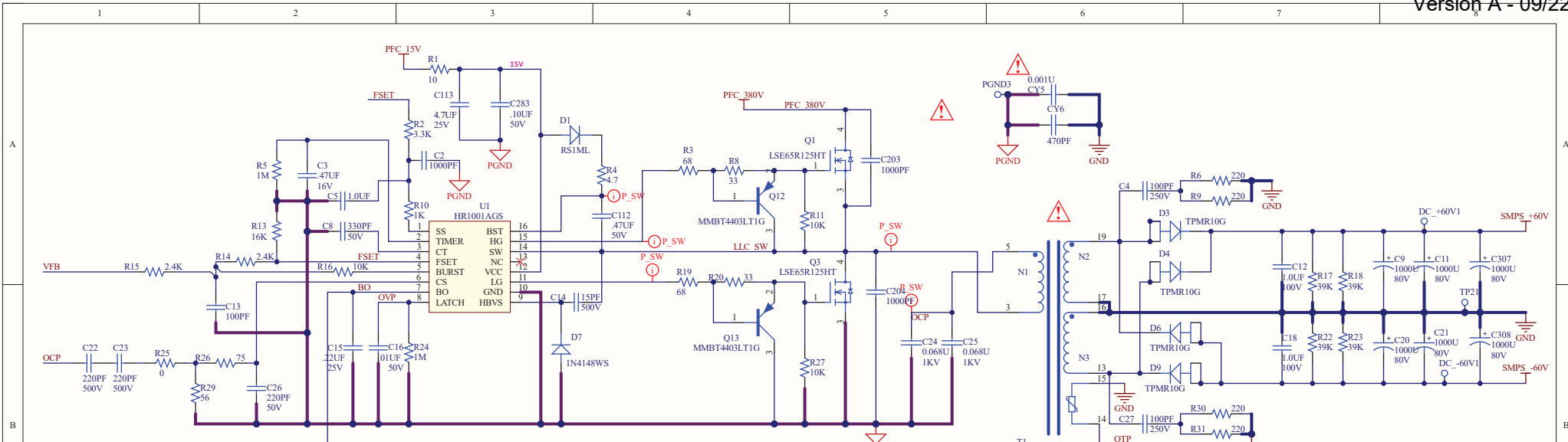
This drawing is the property of Tymphony corporation. It contains information that is confidential and/or proprietary for the sole use of the intended recipient. Any reuse or distribution by others is strictly prohibited and punishable to the full extent of the law.				Tolerance					Cus. Model NO.
				Angular ±0.25°					PRX918
Quotation	Version NO.	Scale : 1:5	Unit : MM	Dimension	F	⊙	H	J	Tymphony Model NO.
Sample	0.2	Sheet : 1/2	Size : A3	>6-25	±0.05	±0.15	±0.15	±0.2	Part NO.
Tooling	Drawn By	Checked By	Approved By	>25-80	±0.2	±0.2	±0.25	±0.4	DWG NO.
Official Issue				>80-250	±0.25	±0.3	±0.4	±0.6	Part Name.
				>250-800	±0.5	±0.6	±0.8	±1.0	JBL PRX918S AMPLIFIER ASSY K
				>800-2500	±1.0	±1.0	±1.5	±1.7	821239-1-TR-001 REV. 1.0
				>2500-	±2.0	±2.0	±3.0	±3.0	



Input, DSP and IO

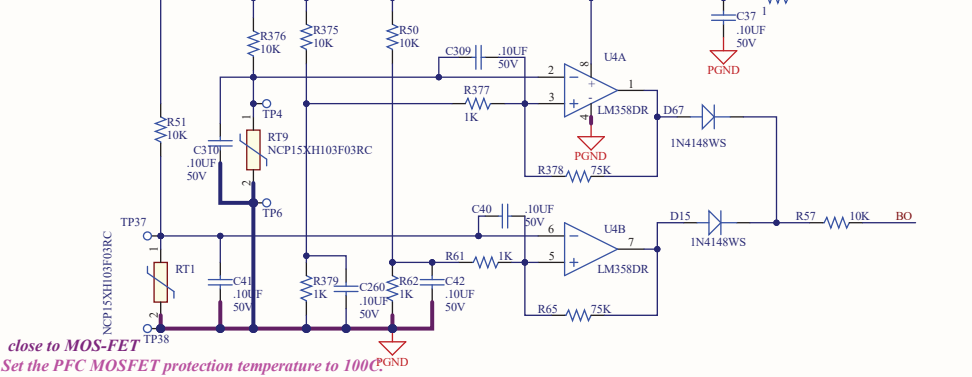






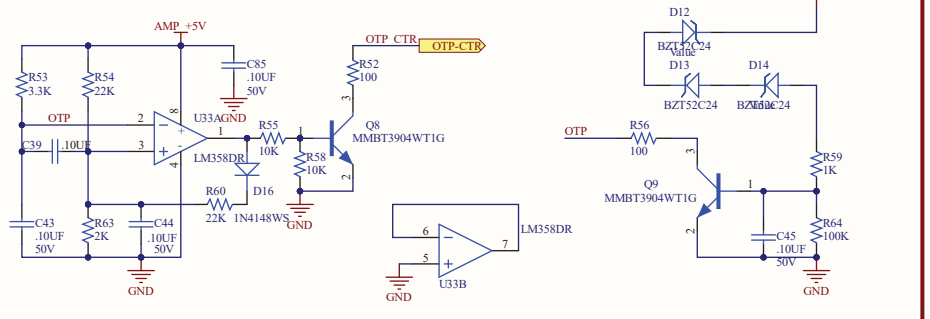
GROUND SYMBOL

Primary OTP



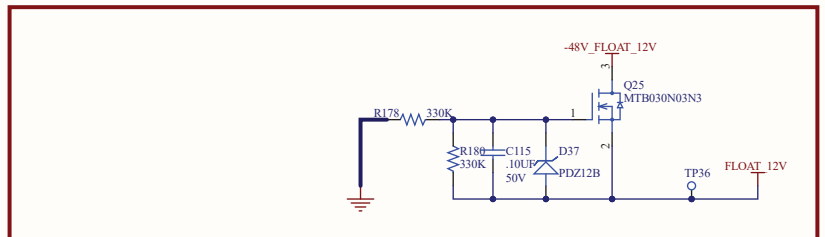
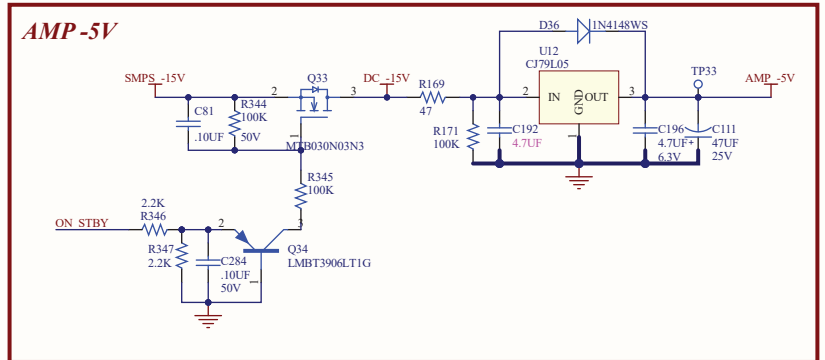
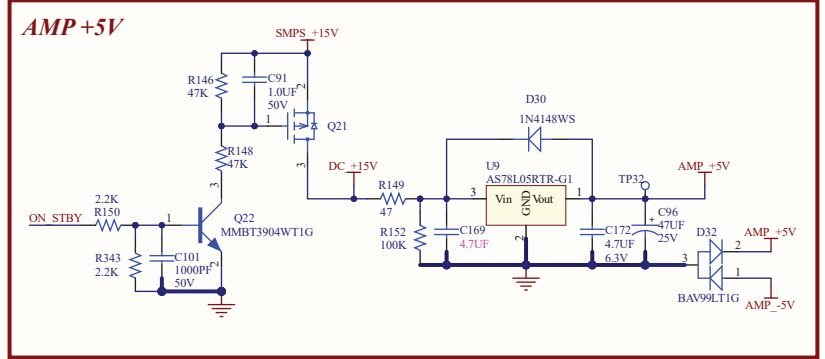
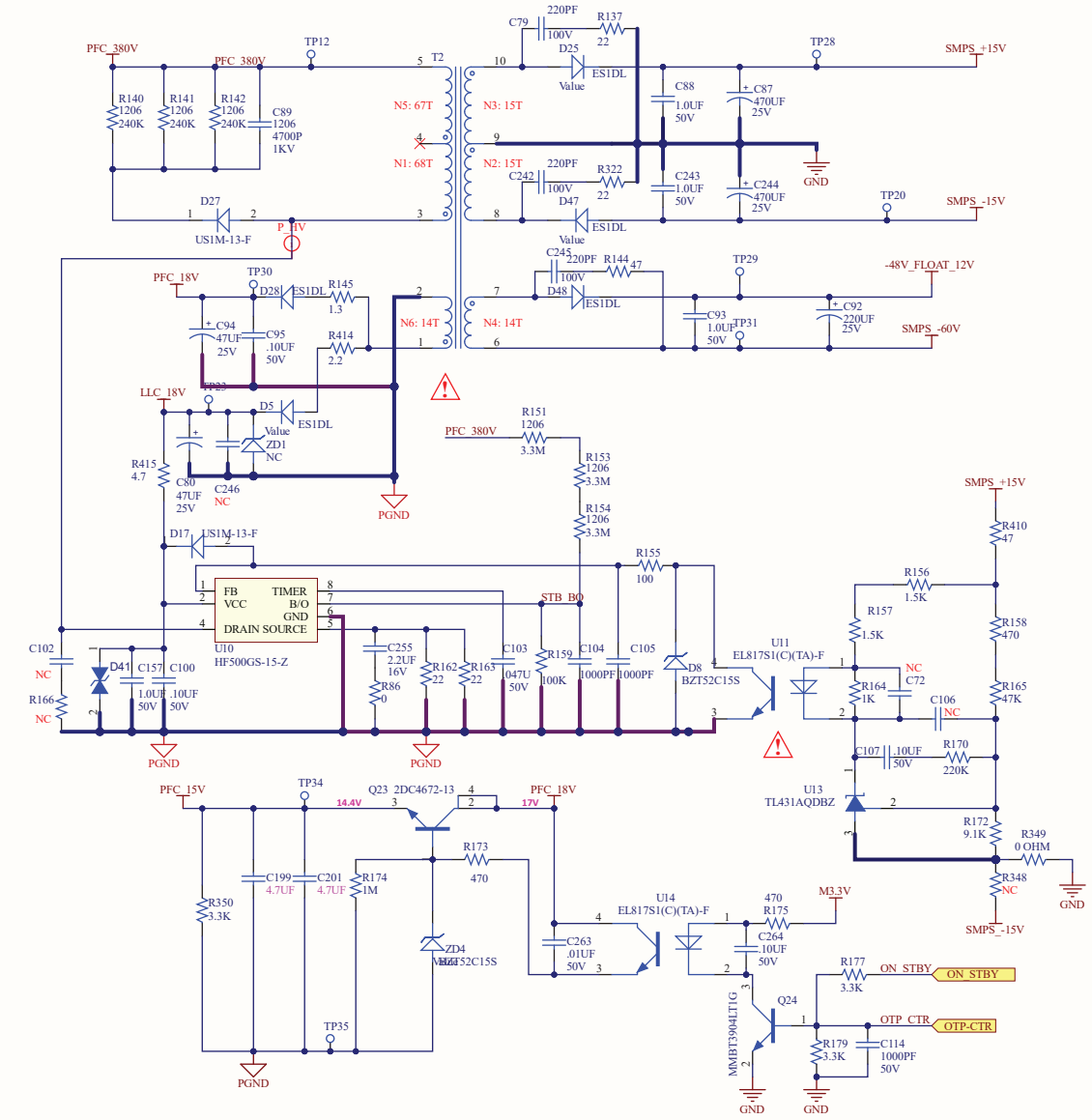
close to MOS-FET
Set the PFC MOSFET protection temperature to 100°C (PGND)

Secondary OTP/OVP



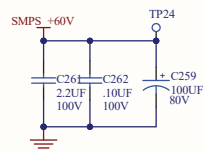
Client	PRX900			Description of Changes/Notes	Rev.
Product:	PRX900 Series				
File Name:	P2-PRX900 LLC_PVT_20220513_SchDoc				
Part Number:	TBC	Size:	A3		
Revision:	V2.0.0	Drawn By:		Mod By:	
Status:	PVT	Checked By:		Mod Date:	31/03/2021
Lead Engineer:		Approved By:			
Date:	2022/6/17	Time:	10:51:07	Sheet:	2 of 11

STANDBY POWER

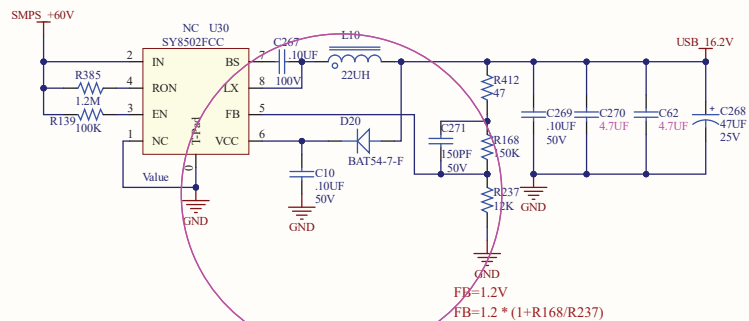


Product: PRX900 Series		Description of Changes/Notes		Rev.
File Name:	P3-PRX900 STANDBY_PVT_20220513_SchDoc			
Part Number:	TBC	Size:	A3	
Revision:	V2.0.0	Drawn By:		
Status:	PVT	Checked By:		Mod Date: 31/03/2021
Lead Engineer:		Approved By:		
Date:	2022/6/17	Time:	10:51:07	Sheet: 3 of 11

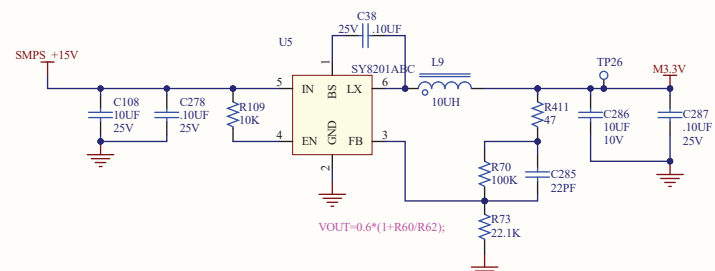
BUCK IC (SMPS_+60V TO USB_16.2V)



NC FOR FAN OPTION

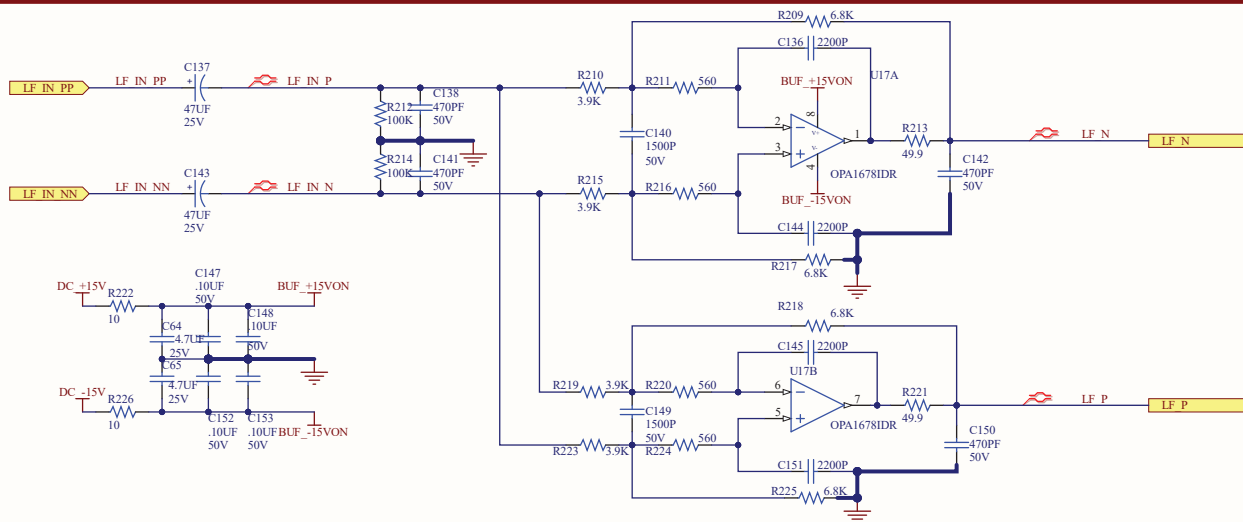


BUCK IC (SMPS_+15V TO M3.3V)



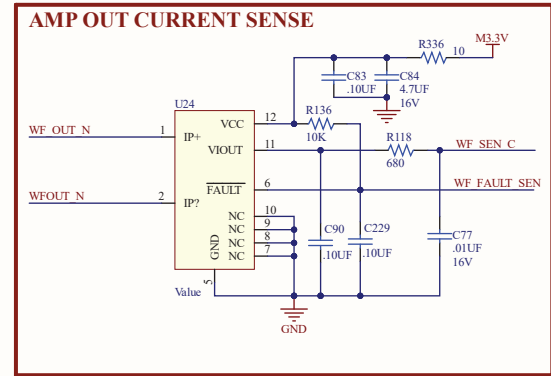
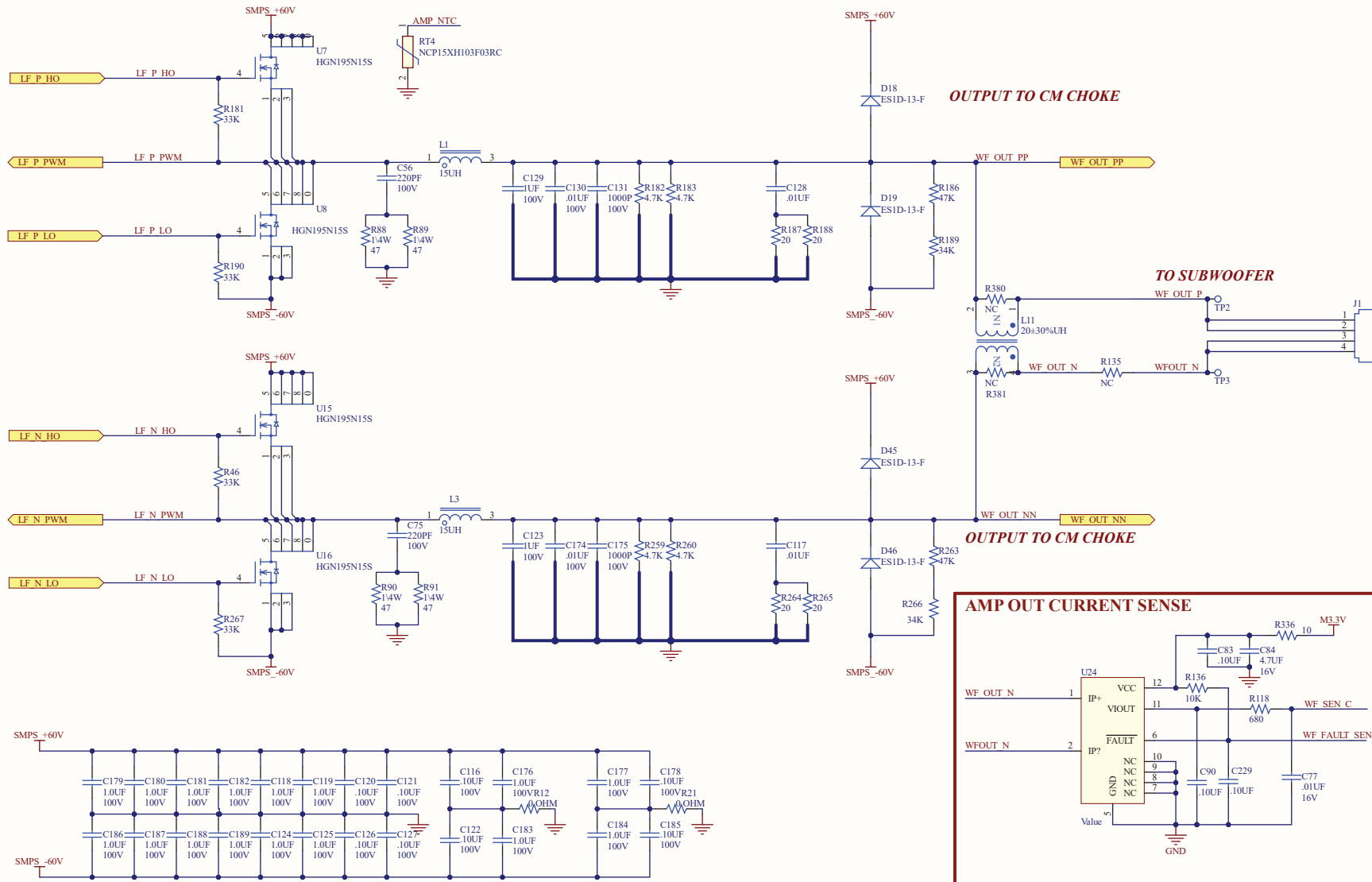
Client	PRX900			Description of Changes/Notes	Rev.
	Product: PRX900 Series				
File Name: P4-PRX900 POWER_PVT_20220513.SchDoc					
Part Number: TBC			Size: A3		
Revision: V2.0.0		Drawn By:		Mod By:	
Status: PVT		Checked By:		Mod Date: 31/03/2021	
Lead Engineer:			Approved By:		
Date: 2022/6/17		Time: 10:51:08		Sheet: 4 of 11	

LF INPUT BUFER

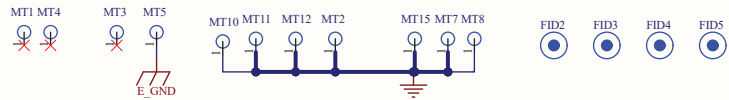
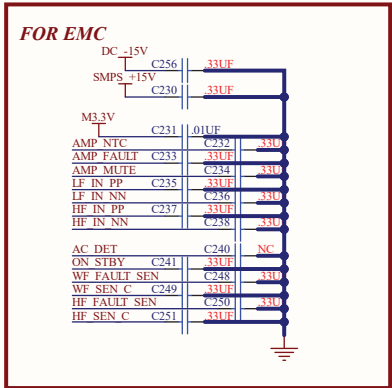
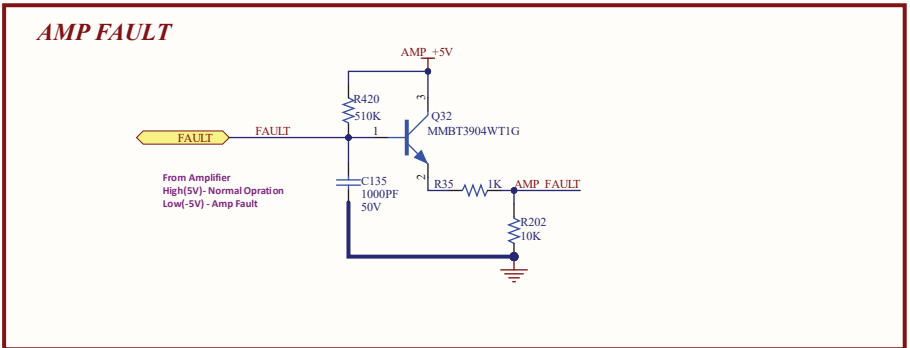
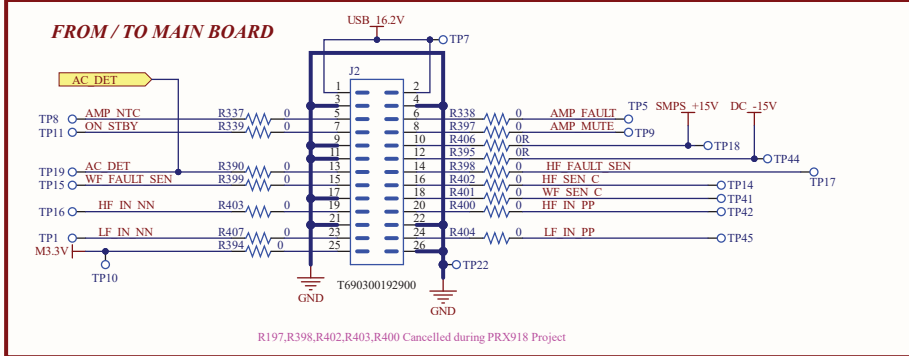
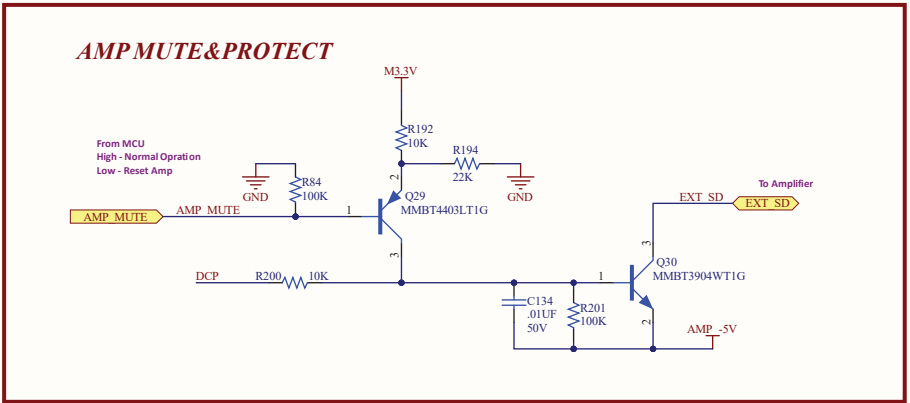
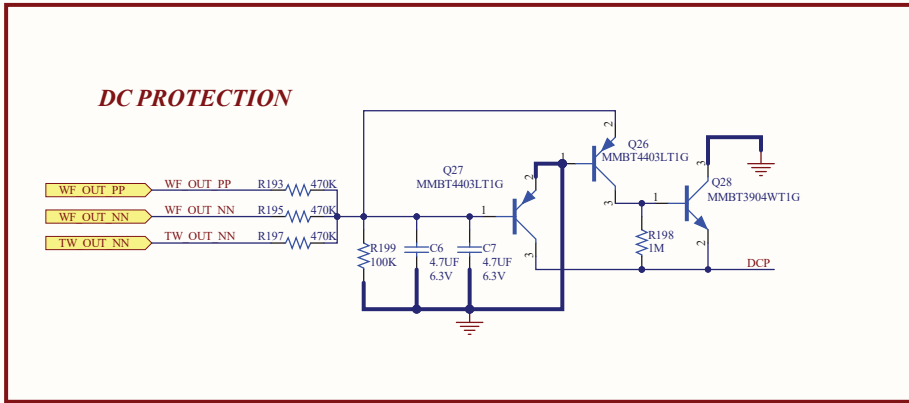


Client	PRX900			Description of Changes/Notes	Rev.
	Product: PRX900 Series File Name: P5-PRX900 INPUT PVT_20220609.SchDoc Part Number: TBC Revision: V2.0.0 Status: PVT Lead Engineer: Date: 2022/6/17				

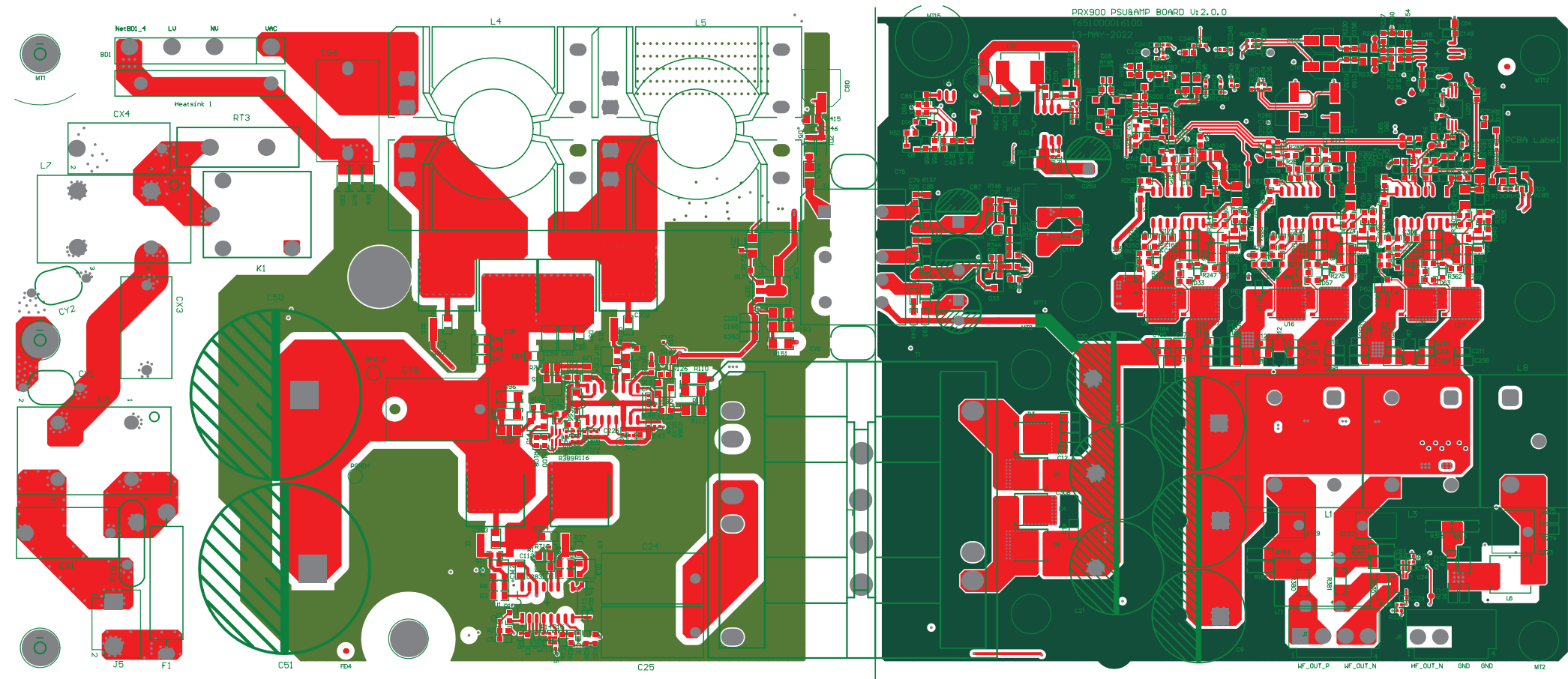
POWER AMP OUTPUT STAGE



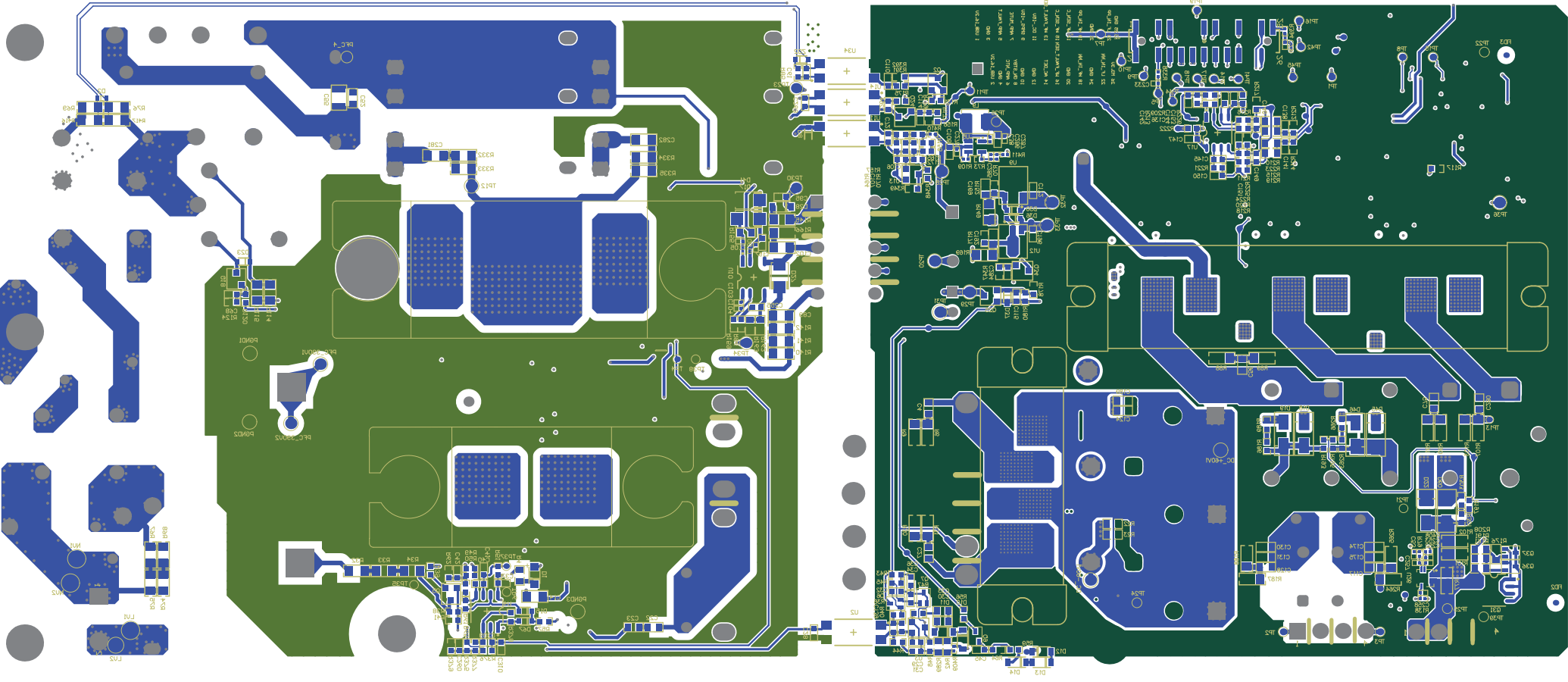
Product: PRX900 Series		PRX900		Description of Changes/Notes		Rev.
File Name: P9-PRX900 AMP OUTPUT_WF_PVT_20220513.SchDoc						
Part Number: TBC		Size: A3				
Revision: V2.0.0	Drawn By:	Mod By:				
Status: PVT	Checked By:	Mod Date: 31/03/2021				
Lead Engineer:	Approved By:					
Date: 2022/6/17	Time: 10:51:08	Sheet: 9 of 11				



Client	PRX900			Description of Changes/Notes	Rev.
Product: PRX900 Series					
File Name: P10-PRX900 AMP PROTECTION_PVT_20220513.SchDoc					
Part Number: TBC			Size: A3		
Revision: V2.0.0		Drawn By:		Mod By:	
Status: PVT		Checked By:		Mod Date: 31/03/2021	
Lead Engineer:		Approved By:			
Date: 2022/6/17		Time: 10:51:08		Sheet: 10 of 11	



Top Layer Top Overlay

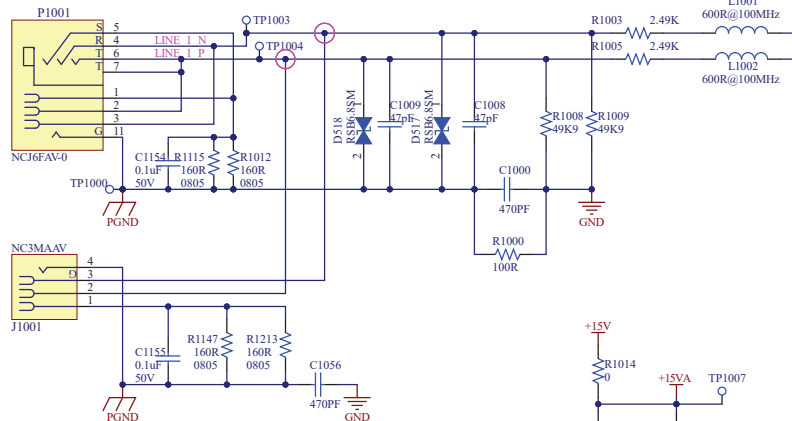


Bottom Panel

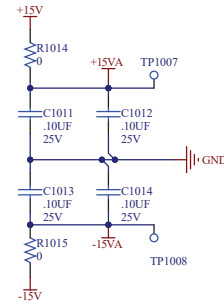
Borrow Overlay

Pre_Analpg_Input

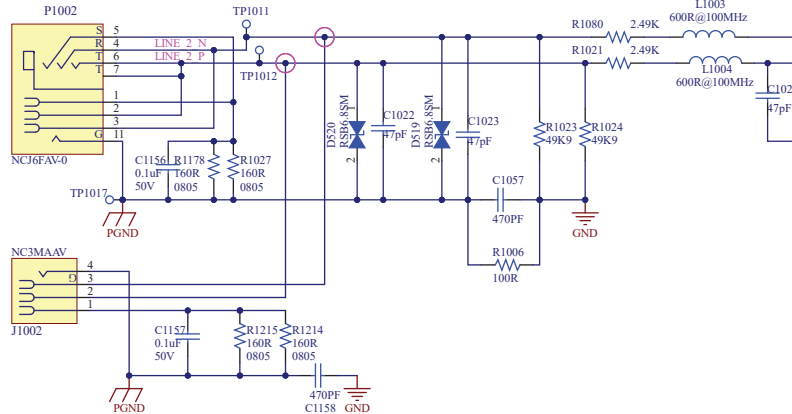
CH1 IN



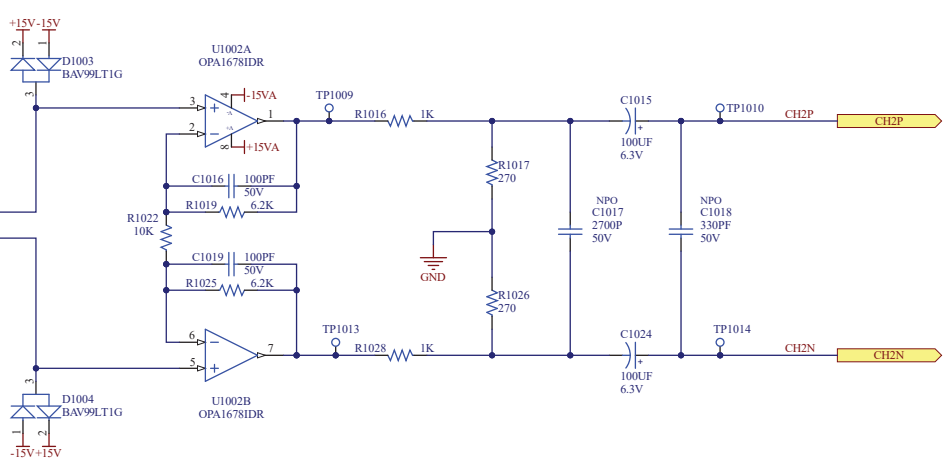
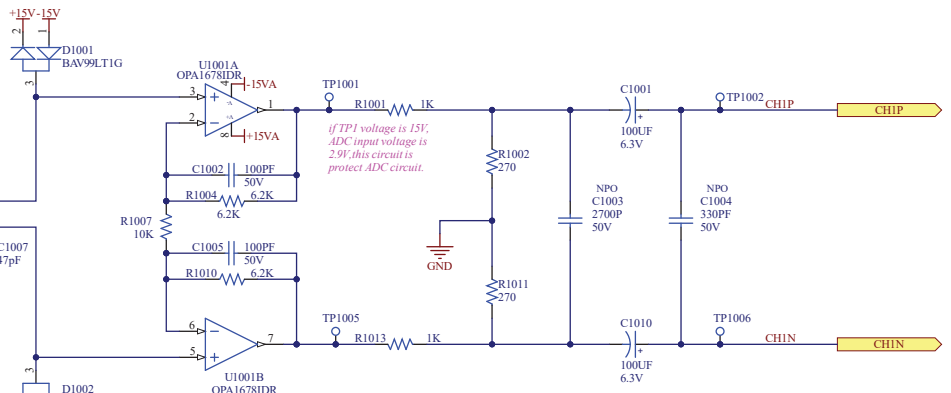
CH1 Thru Out



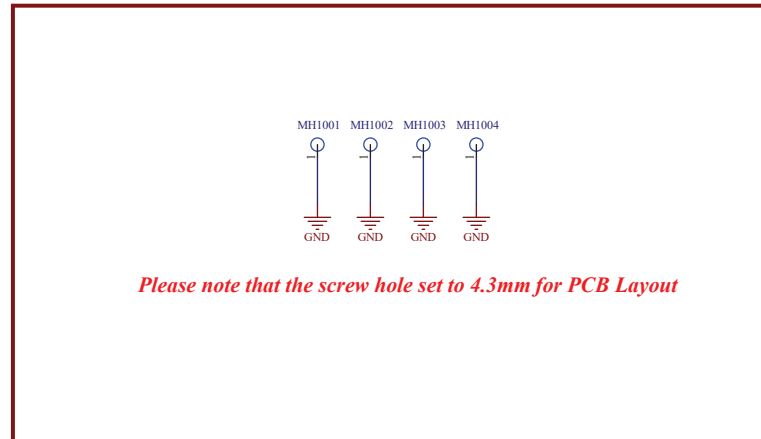
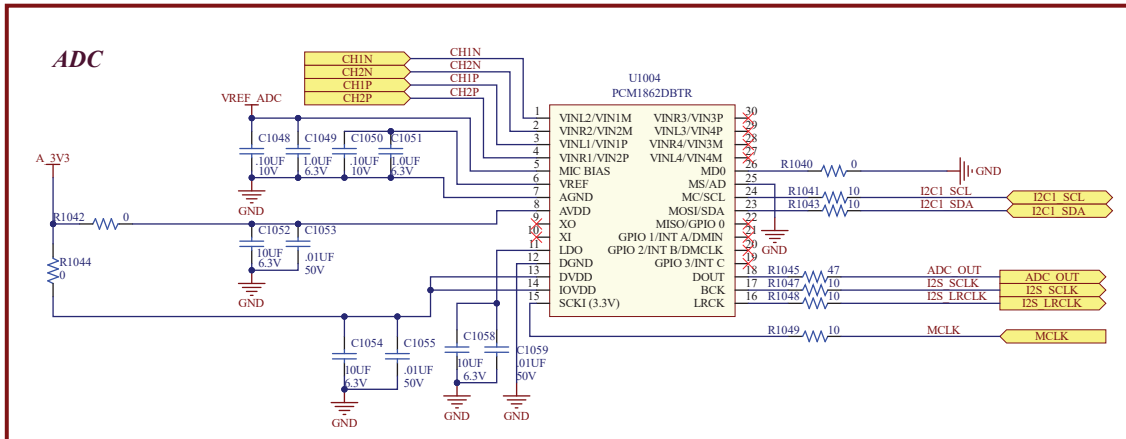
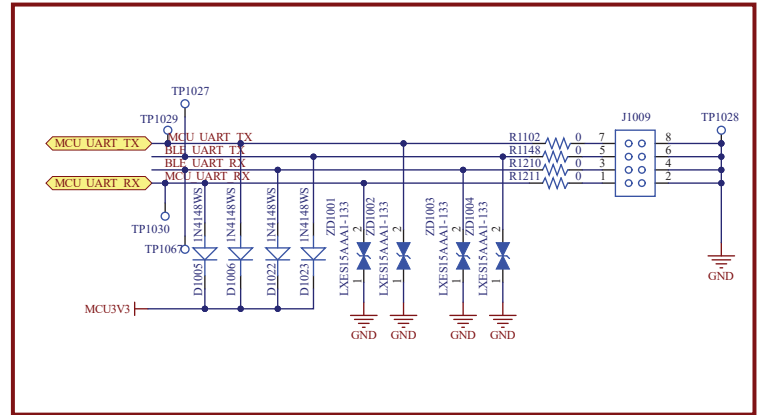
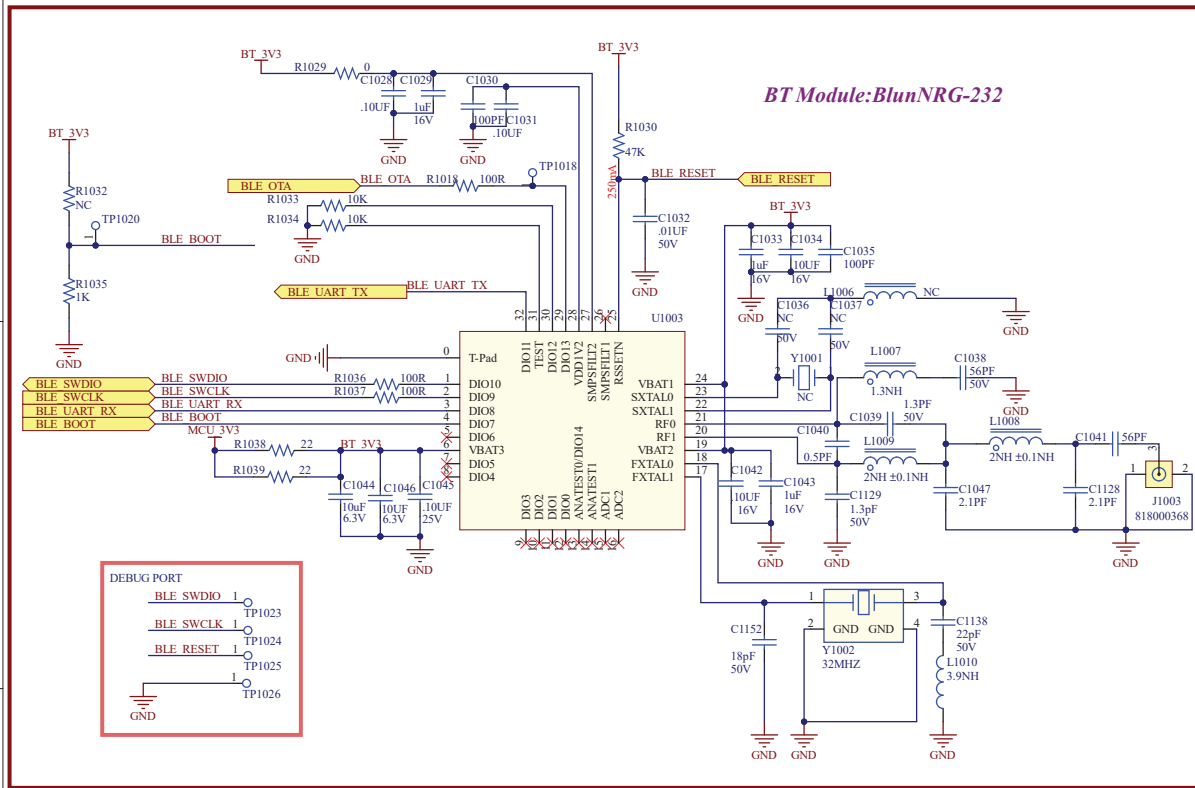
CH2 IN



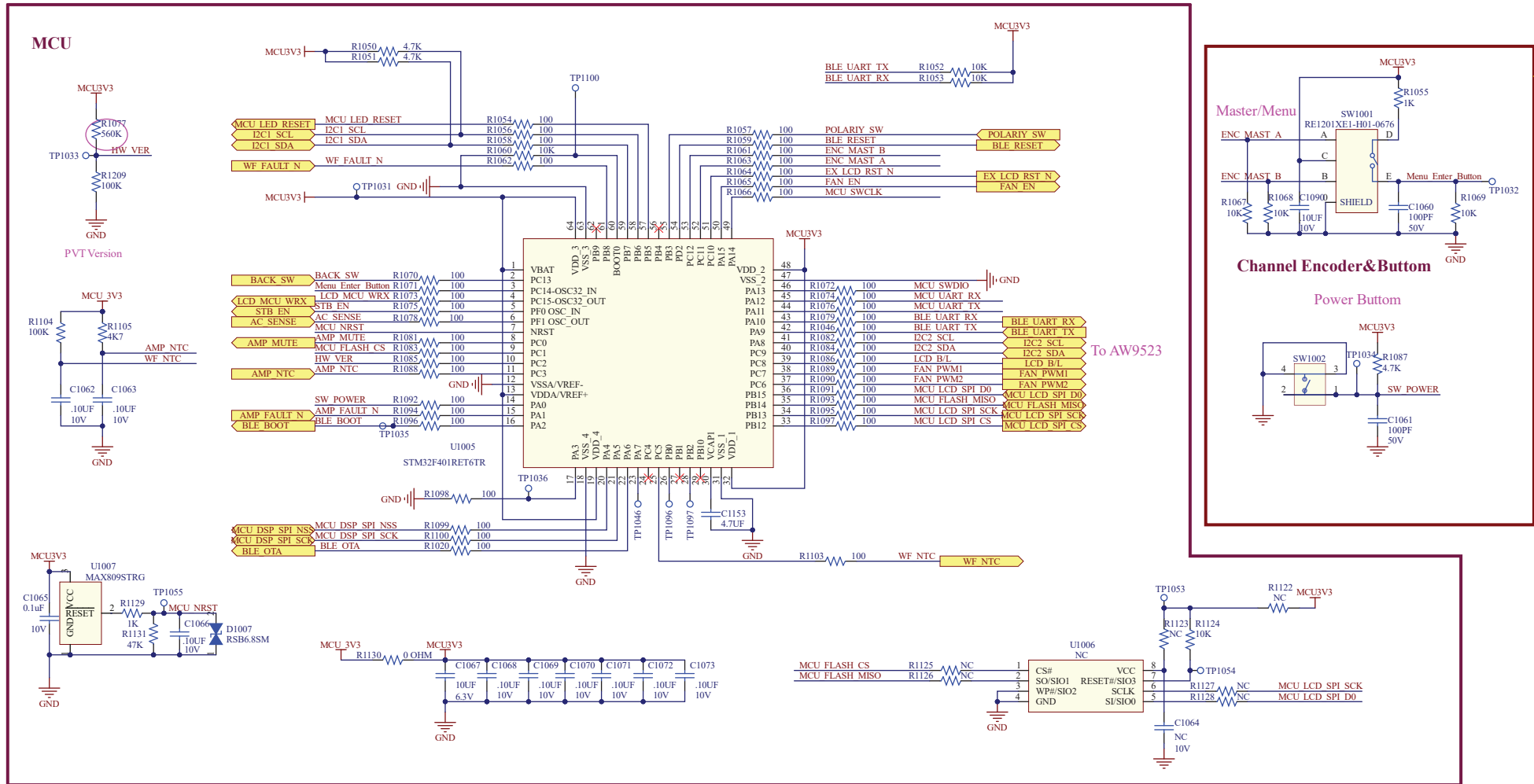
CH2 Thru Out



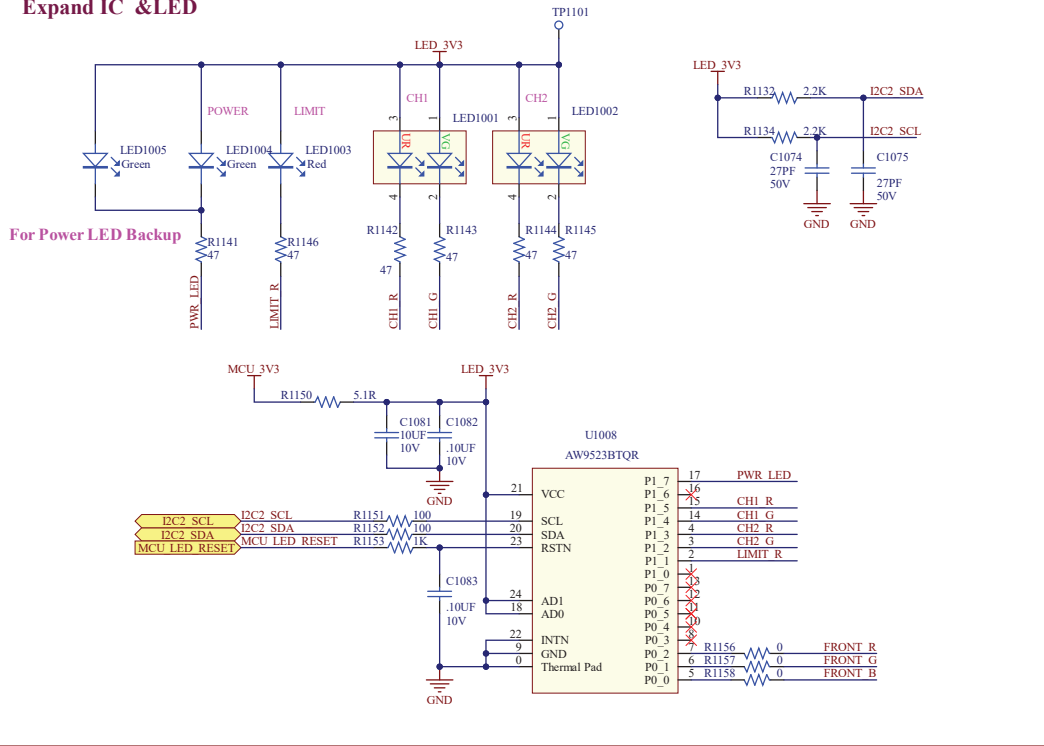
Client		PRX918S		Description of Changes/Notes	Rev.
Product: PRX918S SUB CONTROL BOARD					
File Name: P1 PRX 918SUB AnalogInput PVT 20220513.SchDoc					
Part Number: TBD				Size: A3	
Revision: V2.0.0		Drawn By:		Mod By:	
Status: PVT		Checked By:		Mod Date: 31/03 2021	
Lead Engineer:				Approved By:	
Date: 2022/5/23		Time: 8:53:43		Sheet: 1 of 7	



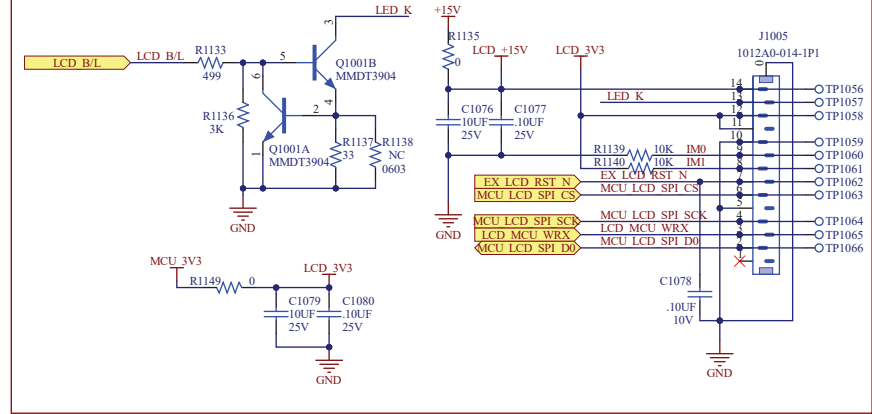
Client	Product	Description of Changes/Notes	Rev.
	PRX918S		
	Product: PRX918S SUB CONTROL BOARD		
	File Name: P2_PRX918SUB_ADC&BT_PVT_20220513.SchDoc		
	Part Number: TBC	Size: A3	
	Revision: V2.0.0	Drawn By:	Mod By:
	Status: PVT	Checked By:	Mod Date: 31/03/2021
	Lead Engineer:	Approved By:	
	Date: 2022/5/23	Time: 8:53:43	Sheet: 2 of 7



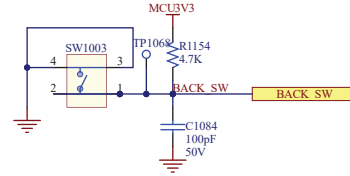
Expand IC & LED



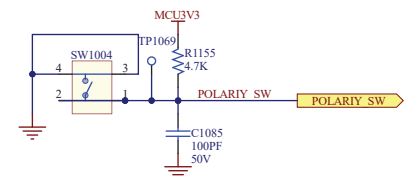
TO LCD Module



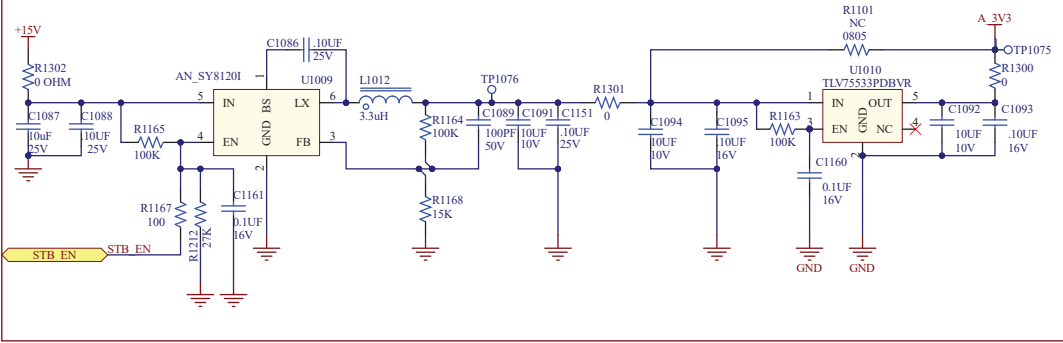
Back Button



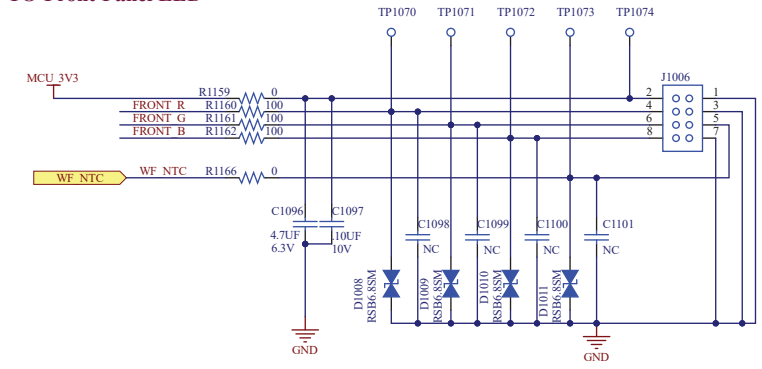
Polarity Button



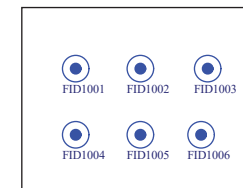
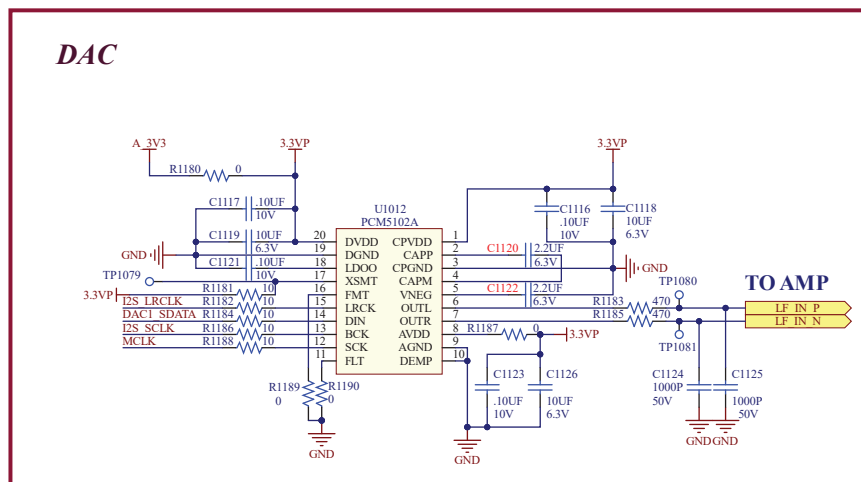
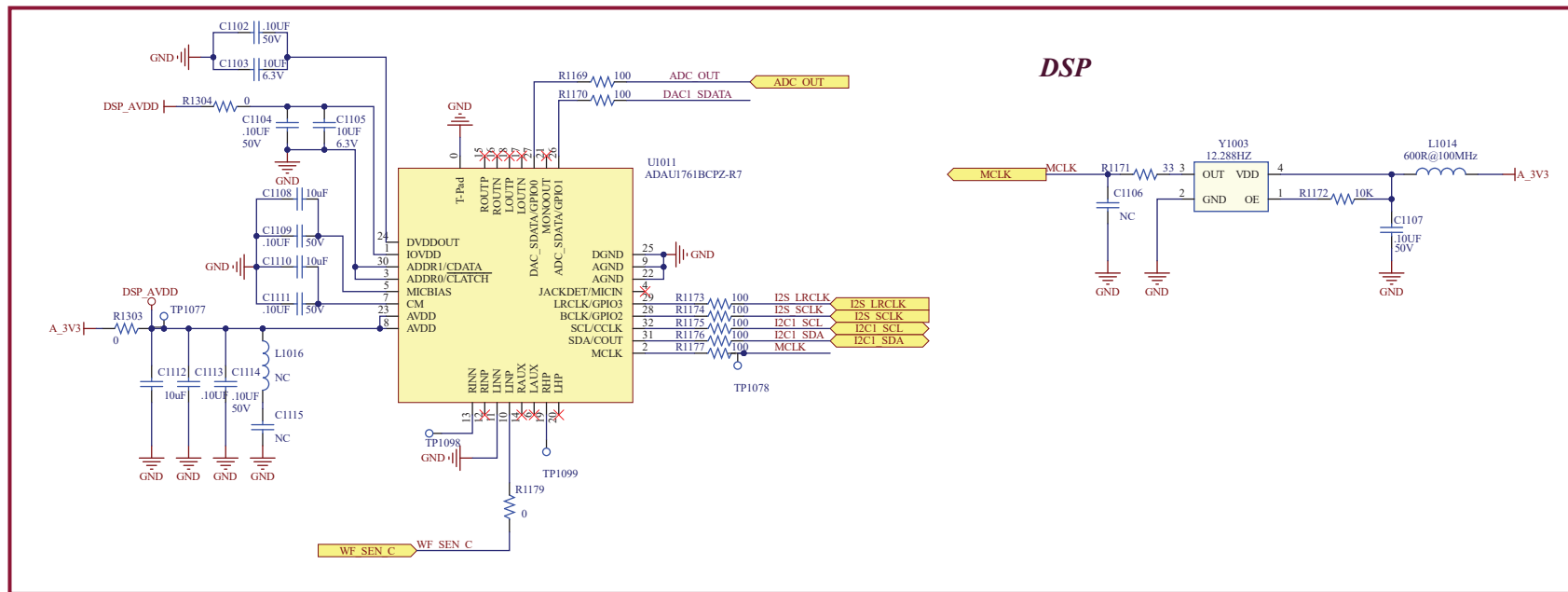
DSP POWER



TO Front Panel LED

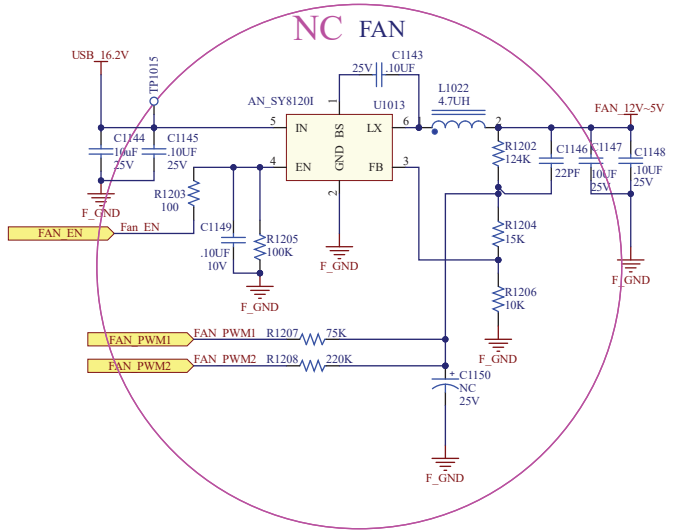
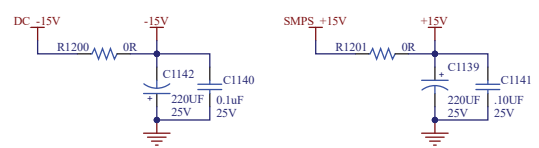
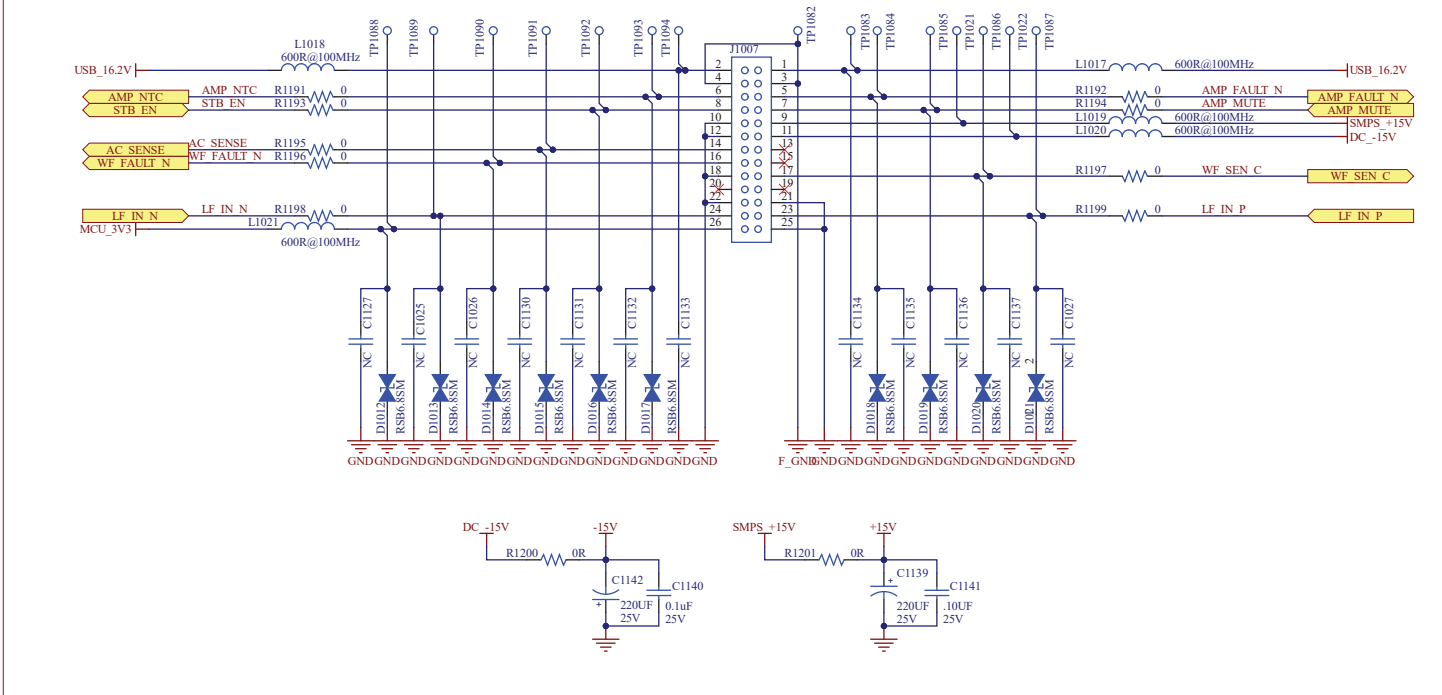


Client	Product: PRX918S	Description of Changes/Notes	Rev.
	Product: PRX918S SUB CONTROL BOARD		
	File Name: P4_PRX918SUB_UI&POWER_DVT_20220119.SchDoc		
	Part Number: TBC		
	Revision: V2.0.0	Size: A3	
	Status: PVT	Drawn By:	Mod By:
	Lead Engineer:	Checked By:	Mod Date: 31/03/2021
	Date: 2022/5/23	Time: 8:53:43	Approved By:
			Sheet: 4 of 7
			4

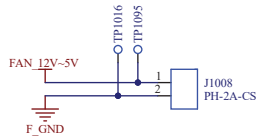


Client	Product: PRX918S	Description of Changes/Notes	Rev.
	File Name: P5_PRX918SUB_DAC&DSP&LPF_PVT_20220513.SchDoc		
	Part Number: TBC		
	Revision: V2.0.0	Drawn By:	Mod By:
	Status: PVT	Checked By:	Mod Date: 31/03/2021
	Lead Engineer: Kelvin Lo	Approved By:	
	Date: 2022/5/23	Time: 8:53:44	Sheet: 5 of 7

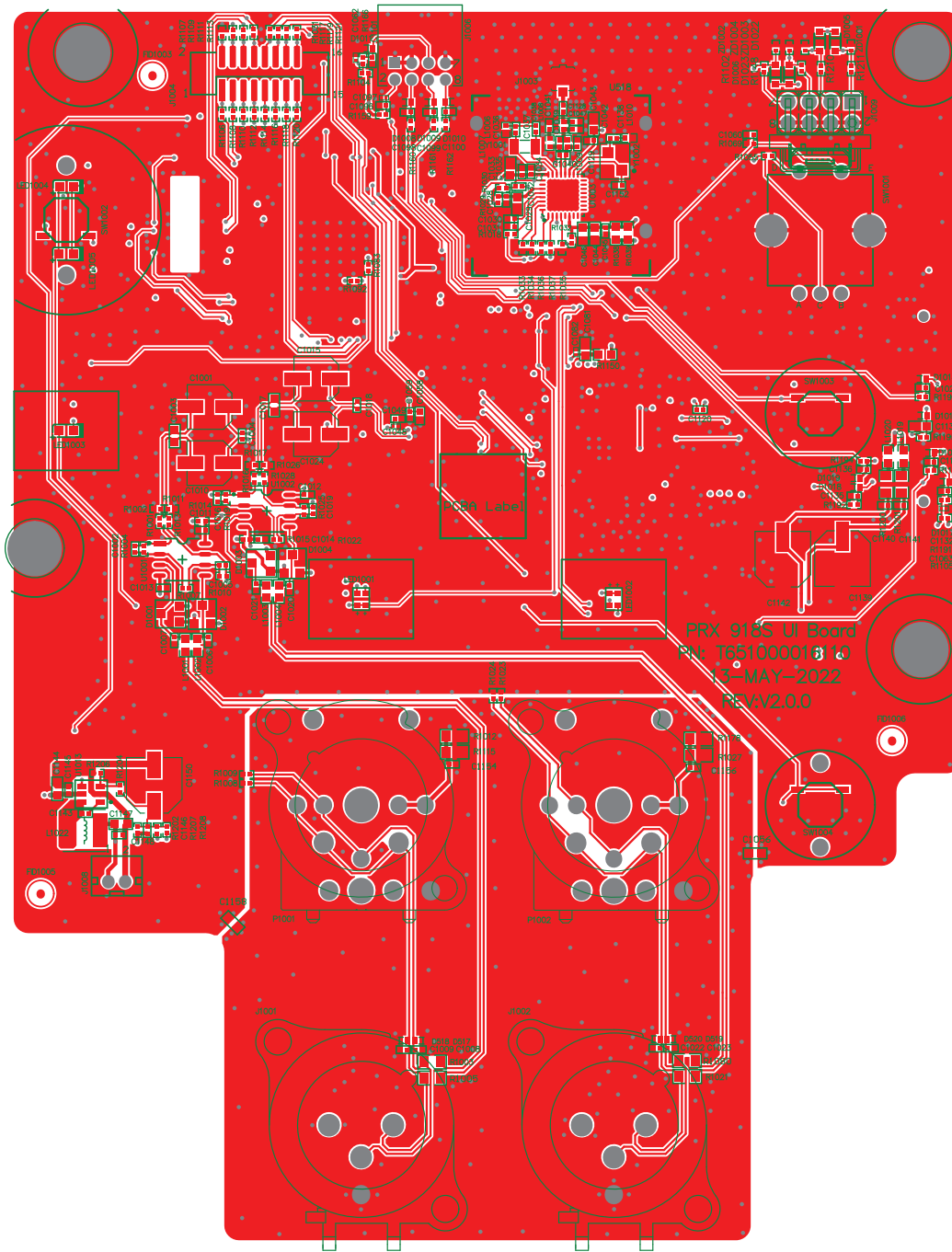
FROM / TO SMPS& BOARD



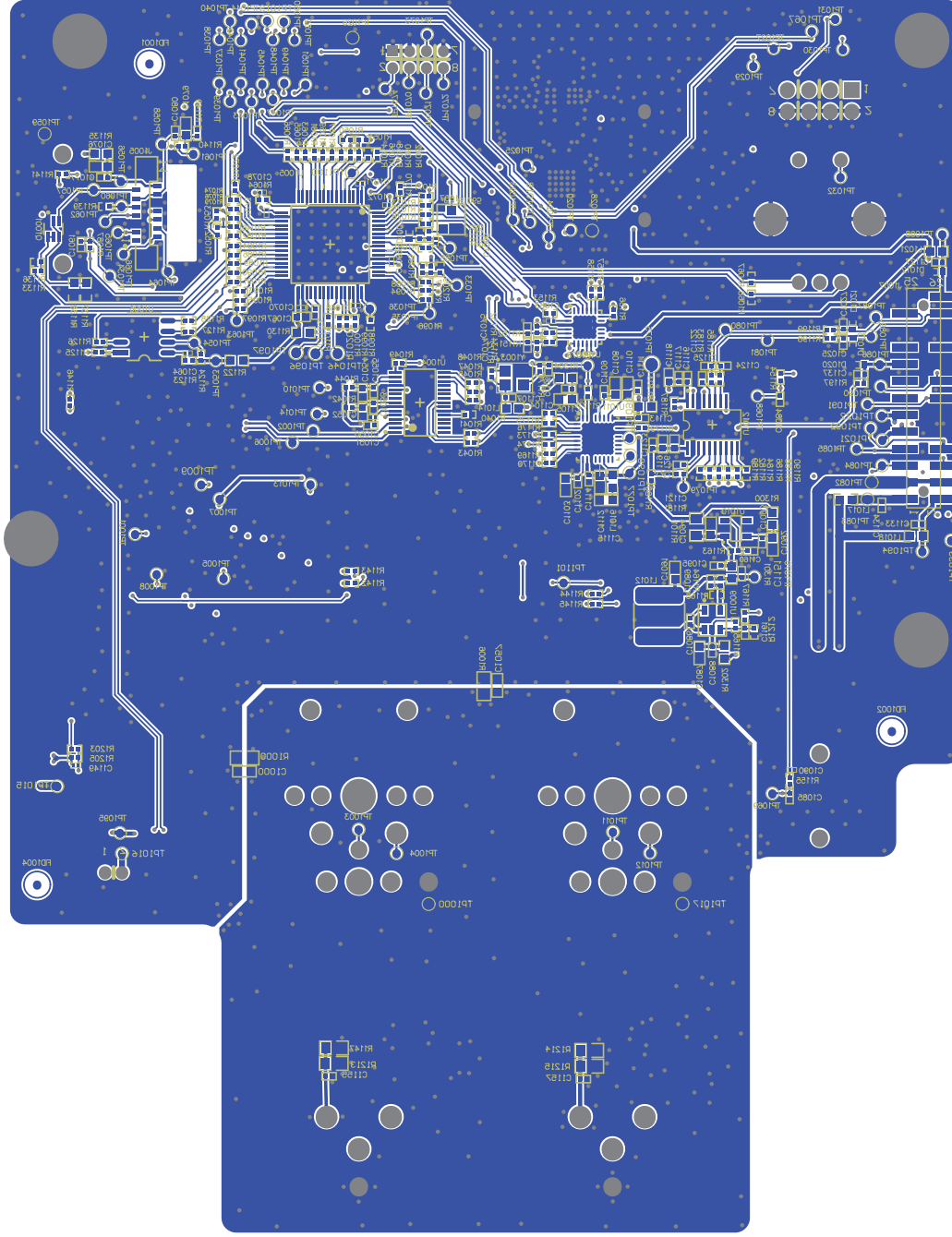
MCU CTRL	LOGIC OUT		FAN 12V-5V
	PWM1	PWM2	
NO.1	0	0	
NO.2	0	1	
NO.3	1	0	
NO.4	1	1	



Client	PRX918S			Description of Changes/Notes	Rev.
Product: PRX918S SUB CONTROL BOARD					
File Name: P6 PRX918SUB FAN PVT 20220513_SchDoc					
Part Number: TBC		Size: A3			
Revision: V2.0.0	Drawn By:	Mod By:			
Status: PVT	Checked By:	Mod Date: 31/03/2021			
Lead Engineer:	Approved By:				
Date: 2022/5/23	Time: 8:53:44	Sheet: 6 of 7		6	



Top Layer Top Overlay



Bottom Overlay

Refer to the corresponding Service Bill of Materials (SBOM) to order parts stocked by Harman.

Bill of Material - Speaker Cabinet			
Ref ID	Description	Qty	Unit
1	PANEL, TOP, PRX918XLF	1	each
2	PANEL, BOTTOM, PRX918XLF	1	each
3	PANEL, SIDE, LEFT, PRX918XLF	1	each
4	PANEL, SIDE, RIGHT, PRX918XLF	1	each
5	BAFFLE, PRX918XLF	1	each
6	PANEL, REAR, PRX918XLF	1	each
7	PANEL, TOP, LIP, PRX918XLF	1	each
8	PANEL, BOTTOM, LIP, PRX918XLF	1	each
9	PANEL, STANDOFF, TOP, PRX918XLF	1	each
10	PANEL, STANDOFF, BOTTOM, PRX918XLF	1	each
11	BRACE, MIDDLE, PRX918XLF	1	each
12	BRACE, SIDE, PRX918XLF	3	each
13	PANEL, REINFORCEMENT, HANDLE, PRX918XLF	2	each
14	BARCE, WOOFER, PRX918XLF	2	each
15	HDW, EVA, PORT, PRX918XLF	4	each
16	ENCL, PORT, PRX918XLF	2	each
17	SCR, 8 X 3/4, FLT, PH, PB, BLK ZC, LCS	12	each
18	MECHASY, POLEMOUNTPLATE, BRX325SP	1	each
19	SCR, 8 X 1/2, PAN, PH, PB, BLK ZINC, LCS	4	each
20	T-NUT 8-32X1 1/32	42	each
21	T-NUT, 10-32	16	each
22	ENCL, ANTENNA BRACKT, PRX915XLF	1	each
23	HDW, VIBRATION DAMPING, RUBBER, PRX918XLF	2	each
24	NAIL, FNSHG, 1/2IN	30	each
25	NAIL, FNSHG, 1IN	38	each
26	HDW, GASKET, POLE MOUNT, PRX915XLF	1	Piece
27	MECHASY, Pole Hat, BRX325SP	1	each
28	FSTNR, MSCR, SEMS, KM5X25 BLK	4	each
29	HDW, EVA, WOOFER, PRX918XLF	4	each
30	AUD, LS, ASY, 918SG WOOFER	1	each
31	SCR, 10-32X1, PAN, TORX, BLK	16	each
32	GASKET, HANDLE, EON718S	2	each
33	HDW, HANDLE CUP, SRX918S	2	each
34	HDW, HANDLE BAR WITH RUBBER, SRX918S	2	each
35	FSTNR, MSCR, TORX, #8-32x35, BLKZN, NYL PATH	20	each
36	HDW, FOOT, SRX918S	4	each
37	HDW, EVA, AMPLIFIER, PRX915XLF	1	each
38	PRX900 AMP MODULE, SUBWOOFER for TJ	1	each
39	SCR, 8-32 X 3/4, FLT, TORX, BLK ZC, LCS	22	each
40	Nonwoven Polyethylene Terephthalate (PET) Fiber Felt (FR-W0025)	8.75	Square Foot
41	HDW, EVA, STRIP, 620X10XT2.0MM, PRX918XLF	2	Piece
42	MECHASY, GRIL, GRILL AND BADGE, PRX918XLF	1	each
43	HDW, EVA, LIGHTPIPE, PRX915XLF	1	each
44	LENS, PRX915XLF	1	each
45	FSTNR, MSCR, PH-PNH, M3X6, BLUZN	2	each

Refer to the corresponding Service Bill of Materials (SBOM) to order parts stocked by Harman.

Bill of Material - Amplifier Module			
Ref ID	Description	Qty	Unit
	JBL PRX918S AMPLIFIER ASSY K	1	PCS
	LCD DISPLAY G02403AD01C5(GD3261B) K	1	PCS
	JBL PRX918S UI BOARD PCSBA TEST K	1	PCS
	PRX918S UI BOARD PCSBA ASSY K	1	PCS
SW1001	RE1201XE1-H01-0676 7PIN DC5V K	1	PCS
P1001,P1002	XLR CONNECTORS 6P NCJ6FAV-0 K	2	PCS
	JBL EON700 USB BOARD PCSBA(DIP) K	1	PCS
	JBL EON700 USB BOARD PCSBA(SMD) K	1	PCS
J2	SMD MIRCO USB JACK MUB BF SMT-099- USB BOARD 1.6 MM FR4 JBL EO 2L 94V- K	1	PCS
J4	2X4P P:2.54MM 90° DIP K	1	PCS
J11	BOOMBOX BRACKET SPTÉ NATUR PRX918S UI BOARD PCSBA ASSY(SMT) K	1	PCS
U1003	MCU BLUENRG-232 QFN32 ST K	1	PCS
R1003,R1005,R1021,R1080	CHIP 2.49K OHM 100PPM +-1% 0805 YAGE	4	PCS
R1200,R1201	CHIP 0 OHM 0 OHM 0 OHM 0805 WALSI L	2	PCS
R1050,R1051,R1087,R1154,R1155,R11	CHIP 4.7K OHM 100PPM +-1% 0402 WALSI L	6	PCS
C1040	CAP 0.5PF 50V +-0.1PF 0402 NP MURATA L	1	PCS
C1116,C1117,C1121,C1123	CAP X5R .10UF 10V +-10% 0402 SAMSUN L	4	PCS
C1120,C1122	CAP X5R 2.2UF 6.3V +-20% 0402 WALSI L	2	PCS
C1152	CAP NPO 18PF 50V +-5% 0402 MURATA L	1	PCS
J1005	SMT CONNECTOR 14PIN P:0.5MM 0.5A- WTX-1 K	1	PCS
U1012	DVA PCSM5102APWR TSSOP 20 TI K	1	PCS
C1138	CAP NPO 22PF 50V +-5% 0402 MURATA L	1	PCS
C1049,C1051	CAP X5R 1.0UF 6.3V +-10% 0402 NORMAL L	2	PCS
C1076,C1079,C1087	CAP X5R 10UF 25V +-20% 0603 WALSI L	3	PCS
R1012,R1027,R1115,R1178,R1147,R12 13,R1215,R1214	CHIP 160 OHM 100PPM +-1% 0805 WALSI L	8	PCS
U1007	MCU MAX809STRG SOT23-3 ON SEMI K	1	PCS
R1171	CHIP 33 OHM 100PPM +-1% 0402 WALSI L	1	PCS
R1036,R1037,R1054,R1056,R1057,R10 58,R1059,R1061,R1062,R1063,R1064,R 1065,R1066,R1070,R1071,R1072,R1073 ,R1074,R1075,R1076,R1078,R1079,R10 81,R1082,R1083,R1084,R1085,R1086,R 1088,R1089,R1090,R1091,R1092,R1093 ,R1094,R1095,R1096,R1097,R1098,R10 99,R1100,R1103,R1151,R1152,R1156,R	CHIP 100 OHM 100PPM +-1% 0402 WALSI L	58	PCS
R1137	CHIP 33 OHM 100PPM +-1% 0603 WALSI L	1	PCS
C1000,C1056,C1057,C1158	CAP X7R 470PF 100V +-10% 0603 WALSI L	4	PCS
R1030	CHIP 47K OHM 100PPM +-1% 0402 WALSI L	1	PCS
L1001,L1002,L1003,L1004,L1014	CHIP BPCSD 600 OHM 25% 100MHZ SMD 0603 K	5	PCS

L1007	1.3NH 1000MA 6000 0402 MURATA	1	PCS
R1131	CHIP 47K OHM 100PPM +-1% 0402 YAGE L	1	PCS
R1133	CHIP 499 OHM 100PPM +-1% 0402 WALS L	1	PCS
ZD1001,ZD1002,ZD1003,ZD1004	TVS 15V LXES15AAA1-1 SMD MURATA K	4	PCS
C1041	CAP NPO 56PF 50V +-5% 0402 MURATA L	1	PCS
C1153	CAP X5R 4.7UF 10V +-10% 0402 WALSIN L	1	PCS
R1300,R1301,R1302,R1303,R1304,R11	CHIP 0 OHM 0 OHM 0 OHM 0603 WALS L	7	PCS
LED1004	LED 524 1.6X0. J6C0603VGAC1 JINGJU K	1	PCS
U1009	REG SY8120IABC SOT23-6 SILERGY L	1	PCS
R1163,R1164,R1165	CHIP 100K OHM 50PPM +-1% 0402 YAGE L	3	PCS
R1136	CHIP 3K OHM 100PPM +-1% 0402 WALS L	1	PCS
R1001,R1013,R1016,R1028,R1035,R11	CHIP 1K OHM 100PPM +-1% 0402 WALS L	7	PCS
R1014,R1015,R1102,R1106,R1107,R1108,R1109,R1110,R1111,R1112,R1113,R1114,R1116,R1117,R1118,R1119,R1120,R1121,R1141,R1142,R1143,R1144,R1145,R1146,R1148,R1149,R1159,R1160,R1161,R1162,R1166,R1179,R1180,R1187,R1189,R1190,R1191,R1192,R1193,R11	CHIP 0 OHM 200PPM +-5% 0402 WALS L	52	PCS
SW1002,SW1003,SW1004	TACT SWITCH 0.3A 12VDC TS-1187-016E-L	3	PCS
U1004	A/D PCSM1862 TSSOP (3 TI L	1	PCS
C1102,C1104,C1107,C1109,C1111,C1113,C1114,C1154,C1155,C1156,C1157	CAP X7R .10UF 50V +-10% 0402 WALSIN L	11	PCS
Y1003	OSCILATOR 12.288MH SMD TXC 7X1220 K	1	PCS
U1011	A/D DIA ADAU1761BCPZ- LFCSP 32 ADI (AN	1	PCS
R1007,R1022,R1033,R1034,R1052,R1053,R1060,R1067,R1068,R1069,R1139,R	CHIP 10K OHM 100PPM +-1% 0402 WALS L	13	PCS
U1008	MCU AW9523BTQR QFN24 AWINIC L	1	PCS
C1045,C1077,C1080,C1086,C1088,C11	CAP X7R .10UF 25V +-10% 0402 WALSIN L	6	PCS
LED1001,LED1002	LED 518 1.6X1. J6C0606RVGC JINGJU K	2	PCS
U1010	REG TLV75533PDBVR SOT-23 TI W	1	PCS
Q1001	NPN 40V MMDT3904 SC-88(PANJIT K	1	PCS
C1074,C1075	CAP NPO 27PF 50V +-5% 0402 WALSIN L	2	PCS
R1045	CHIP 47 OHM 100PPM +-1% 0402 WALS L	1	PCS
C1011,C1012,C1013,C1014,C1141,C11	CAP .10UF 25V +-10% 0402X5R SAMSUNG L	6	PCS
C1004,C1018	CAP NPO 330PF 50V +-5% 0402 WALSIN L	2	PCS
C1032,C1053,C1055,C1059	CAP X7R .01UF 50V +-10% 0402 SAMSUN L	4	PCS
C1003,C1017	CAP NPO 2700P 50V +-5% 0603 WALSIN L	2	PCS
C1001,C1010,C1015,C1024	E 100UF 6.3V +-20% 5X5.4M CKOJ101M- K	4	PCS
C1081,C1091,C1092,C1094	CAP 10UF 10V +-20% 0603X5R SAMSUNG L	4	PCS
R1104,R1209	CHIP 100K OHM 100PPM +-1% 0402 WALS	2	PCS
R1004,R1010,R1019,R1025	CHIP 6.2K OHM 100PPM +-1% 0402 WALS L	4	PCS
C1034,C1042,C1093,C1095,C1160,C11	CAP X7R .10UF 16V +-10% 0402 MURATA L	6	PCS
C1044,C1046,C1103,C1105,C1108,C11	CAP 10UF 6.3V +-20% 0603X5R WALSIN L	7	PCS
C1048,C1050,C1062,C1063,C1065,C1066,C1068,C1069,C1070,C1071,C1072,C1073,C1078,C1082,C1083,C1090,C1097	CAP X5R .10UF 10V +-10% 0201 SAMSUN L	17	PCS
C1052,C1054,C1058,C1067,C1118,C11	CAP X5R 10UF 6.3V +-20% 0402 SAMSUN L	7	PCS
C1008,C1009,C1022,C1023,	CAP NPO 47PF 50V +-5% 0402 WALSIN L	4	PCS
C1038	CAP NPO 56PF 50V +-5% 0402 WALSIN L	1	PCS
U1001,U1002	OP OPA1678IDR SOIC-8PI TI K	2	PCS
D1001,D1002,D1003,D1004	SWITC 70V 215MA BAV99LT1G ON SE K	4	PCS

R1132,R1134	CHIP 2.2K OHM 100PPM +-1% 0402 WALS L	2	PCS
R1168	CHIP 15K OHM 100PPM +-1% 0402 WALS L	1	PCS
C1047,C1128	CAP 2.1PF 50V +-0.1PF 0402NPO MURATA L	2	PCS
R1041,R1043,R1047,R1048,R1049,R1181,R1182,R1184,R1186,R1188	CHIP 10 OHM 100PPM +-1% 0402 WALS L	10	PCS
L1008,L1009	2NH ±0 900MA 100M 0402 MURATA	2	PCS
R1212	CHIP 27K OHM 100PPM +-1% 0402 WALS L	1	PCS
R1183,R1185	CHIP 470 OHM 100PPM +-1% 0402 WALS L	2	PCS
R1002,R1011,R1017,R1026	CHIP 270 OHM 100PPM +-1% 0402 WALS L	4	PCS
L1010	3.9NH 300MA 100M 0402 SUNLOR SDCL100	1	PCS
J1004	CONNECTOR 16PIN P:1.27MM 90 JRCONN	1	PCS
J1003	SMD IPEX CONNECTOR 818000368 K	1	PCS
L1012	3.3UH 5.3A 100K 6045 SUNLEI SNR6045 L	1	PCS
D1007,D1008,D1009,D1010,D1011,D1012,D1013,D1014,D1015,D1016,D1017,D1018,D1019,D1020,D1021,D517,D518,D	TVS 5.78~ RSB6.8SM SMD ROHM L	19	PCS
U1005	MCU STM32F401RET6TR LQFP64 ST K	1	PCS
LED1003	LED R 631 0603 L-C191JRCT PARA LIG K	1	PCS
R1000,R1006	CHIP 100 OHM 100PPM +-1% 0805 WALS L	2	PCS
R1008,R1009,R1023,R1024	CHIP 49.9K OHM 100PPM +-0.1% 0402	4	PCS
R1077	CHIP 150K OHM 50PPM +-1% 0402 YAGE L	1	PCS
L1017,L1018,L1019,L1020,L1021	BPCSD FBMA-11-160808-601A10T 600 OHM 10 L	5	PCS
C1039,C1129	CAP NPO 1.3PF 50V +-.25PF 0402 MURATA	2	PCS
C1006,C1007,C1020,C1021,C1124,C11	CAP NPO 1000P 50V +-5% 0402 WALSIN L	6	PCS
C1028,C1031	CAP X7R .10UF 50V +-10% 0402 SAMSUN L	2	PCS
C1002,C1005,C1016,C1019,C1035,C1060,C1061,C1084,C1085,C1089,C1030	CAP NPO 100PF 50V +-5% 0402 WALSIN L	11	PCS
C1096	CAP X5R 4.7UF 6.3V +-20% 0402 MURATA L	1	PCS
Y1002	CRYSTAL 32MHZ 3225 HOSONI E3SB32 L	1	PCS
D1005,D1006,D1022,D1023	SWITC 100V 150MA 1N4148WS TSC L	4	PCS
C1029,C1033,C1043	CAP X7R 1.0UF 16V +-10% 0603 WALSIN L	3	PCS
PCSB	UI BOARD 1.6MM FR4 JBL PR 4 94V- K	1	PCS
R1055	CHIP 1K OHM 50PPM +-1% 0402 WALS L	1	PCS
C1139,C1142	E 220UF 25V +-20% D6.3*H VZT221M1E L	2	PCS
R1038,R1039	CHIP 22 OHM 100PPM +-1% 0603 WALS L	2	PCS
J1007	CONNECTOR 26PIN P:2.0MM 180 CGE K	1	PCS
R1150	CHIP 5.1 OHM 100PPM +-1% 0603 WALS L	1	PCS
J1006	CONNECTOR 2X4PIN P:2.0MM 90 PHD-2X4AWD K	1	PCS
J1001,J1002	XLR CONNECTORS 3P NC3MAAV W	2	PCS
	JBL PRX918 SMPS BOARD PCSBA TEST K	1	PCS
	PRX918S SMPS BOARD PCSBA ASSY K	1	PCS
T2	TRANSF N/A N/A 10P CLICK BCK1901-1 K	1	PCS
BD1	800V 25A KBJ2508 MD (K	1	PCS
C244,C87	E 470UF 25V +-20% 8MM*16 GF471M025 K	2	PCS
F1	FUSE CERAMIC 250V 12A 5.5X2 21501 K	1	PCS
CX1,CX3,CX4	PLS-DIP 0.47UF 305V +-20% W B32922C3 K	3	PCS
T2	TRANSF N/A N/A 10P CLICK BCK1901-1 K	1	PCS
CY1,CY2,CY5	PLS-DIP 0.001U 400V +-20% D CD45-E2G K	3	PCS
	PRX918S SMPS BOARD PCSBA ASSY(SMT)	1	PCS
C66,C67	CAP NPO 47PF 50V +-5% 0402 WALSIN L	2	PCS
Q21	PMOS -30V DMP3056L-7 SOT23 DIODES L	1	PCS
R144,R39	CHIP 47 OHM 100PPM +-1% 0603 WALS L	2	PCS

C138,C141,C142,C150	CAP NPO 470PF 50V +-5% 0603 WALSIN L	4	PCS
U17	OP OPA1678IDR SOIC-8PI TI K	1	PCS
R12,R21	CHIP 0 OHM 0 OHM 0 OHM 1206 WALS L	2	PCS
C89	CAP X7R 4700P 1KV +-10% 1206 WALSIN L	1	PCS
C278,C287,C38	CAP X7R .10UF 25V +-10% 0402 WALSIN L	3	PCS
C31,C63	CAP X7R .33UF 25V +-10% 0603 WALSIN L	2	PCS
C230,C232,C233,C234,C241,C248,C249 ,C250,C251,C256,C235,C236,C237,C23	CAP X5R .33UF 10V +-10% 0402 WALSIN L	14	PCS
Q18	NPN 40V MMBT2222A-7- SOT23 DIODES K	1	PCS
R194,R54,R60,R66,R95	CHIP 22K OHM 100PPM +-1% 0603 WALS L	5	PCS
D8,ZD4	ZD 15V 200MW +0.6-1.2 SOD-32 BLUE K	2	PCS
C113,C163,C165,C166,C167,C169,C190 ,C192,C193,C194,C199,C201,C64,C65	CAP X7R 4.7UF 25V +-10% 0805 SAMSUN L	14	PCS
R11,R119,R120,R124,R177,R192,R200, R202,R247,R27,R276,R343,R347,R375, R43,R45,R47,R50,R55,R57,R58,R80,R3	CHIP 10K OHM 100PPM +-1% 0603 WALS L	24	PCS
Q23	NPN 50V 2DC4672-13 SOT89 DIODES K	1	PCS
C104,C105,C2,C69	CAP X7R 1000P 50V +-10% 0402 YAGEO L	4	PCS
R137,R162,R163,R322	CHIP 22 OHM 100PPM +-1% 0805 WALS L	4	PCS
R173	CHIP 470 OHM 100PPM +-1% 1206 WALS L	1	PCS
C101,C110,C114,C135,C168,C170,C171 ,C195,C197,C198,C61	CAP NPO 1000P 50V +-5% 0603 WALSIN L	11	PCS
PG1,PG2	POGO PIN=1 PG-F1448-0105T K	2	PCS
R29	CHIP 56 OHM 100PPM +-1% 0603 WALS L	1	PCS
ZD2	ZD 12V 200MW ±2% SMD TSC (K	1	PCS
C261	CAP X7R 2.2UF 100V +-10% 1206 SAMSUN	1	PCS
C130,C174	CAP X7R .01UF 100V +-20% 0805 WALSIN L	2	PCS
R41	CHIP 68K OHM 100PPM +-1% 0603 WALS L	1	PCS
C118,C119,C12,C124,C125,C176,C177, C179,C18,C180,C181,C182,C183,C184,	CAP 1.0UF 100V +-10% 0805X7S TDK L	18	PCS
R48,R63	CHIP 2K OHM 100PPM +-1% 0603 WALS L	2	PCS
R210,R215,R219,R223	CHIP 3.9K OHM 100PPM +-5% 0805 WALS L	4	PCS
R14,R15	CHIP 2.4K OHM 100PPM +-1% 0402 WALS L	2	PCS
R146,R148,R165,R186,R263	CHIP 47K OHM 100PPM +-1% 0603 WALS L	5	PCS
D17,D27	DIODE 1000 1.0A US1M-13-F DIODE K	2	PCS
R241,R271	CHIP 8.2K OHM 100PPM +-1% 1206 WALS L	2	PCS
R167,R37,R49	CHIP 1 OHM 100PPM +-1% 0603 WALS L	3	PCS
U13,U3	REG TL431AQDBZ SOT23-3P TI K	2	PCS
U10	REG HF500GS-15-Z SOIC8-7B MPS (MO K	1	PCS
C109,C17,C172,C196,C6,C7,C74,C97	CAP X7R 4.7UF 6.3V +-10% 0603 SAMSUN L	8	PCS
C314	CAP X5R 10UF 25V +-20% 0603 SAMSUN L	1	PCS
R242,R272	CHIP 300 OHM 100PPM +-1% 0603 WALS L	2	PCS
RT1,RT4,RT9	NTC 10K OHM 1% 0402 NCP15XH103F03RC	3	PCS
R131,R170	CHIP 220K OHM 100PPM +-1% 0603 WALS	2	PCS
D10,D11	ZD 2.4V 350MW ±0.05V SOD123 MD K	2	PCS
D3,D4,D6,D9	SWTIC 400V 10A TPMR10G TSC K	4	PCS
R104,R19,R3,R71	CHIP 47 OHM 100PPM +-1% 0805 WALS L	4	PCS
C136,C144,C145,C151	CAP NPO 2200P 50V +-5% 0603 WALSIN L	4	PCS

C108,C173,C200	CAP X5R 10UF 25V +-20% 0603 WALSIN L	3	PCS
R196,R203,R204,R205	CHIP 120K OHM 100PPM +-5% 0805 WALS	4	PCS
C46,C47,C48,C52	CAP X7R .01UF 630V +-10% 0805 WALSIN L	4	PCS
U12	REG CJ79L05 SOT-89-3 JCET (J K	1	PCS
C111,C80,C94,C96,C137,C143	E 47UF 25V +-20% 6.3*7. JV470M025 K	6	PCS
Q1,Q10,Q15,Q3	NMOS 650V LSE65R180GT TO263(LONTEN	4	PCS
R239,R243,R253,R269,R273,R283	CHIP 4.7 OHM 100PPM +-1% 0603 WALS L	6	PCS
U24	SP ACS711KEXLT-31AB-T QFN ALLEGRO K	1	PCS
Q4	SP 60 V MMDT4413 SC-88(DIODES K	1	PCS
C281,C282	CAP NPO 100PF 2KV +-5% 1206 WALSIN L	2	PCS
R156,R157	CHIP 1.5K OHM 100PPM +-1% 0603 WALS L	2	PCS
R140,R141,R142	CHIP 240K OHM 100PPM +-1% 1206 WALS	3	PCS
C116,C120,C121,C122,C126,C127,C178	CAP X7R .10UF 100V +-10% 0603 MURATA L	9	PCS
R113,R152,R159,R171,R179,R199,R201 ,R212,R214,R64,R84	CHIP 100K OHM 100PPM +-1% 0603 WALS L	11	PCS
PCSB	SMPS BOARD 2MM FR4 JBL PR 4 94V- K	1	PCS
C255	CAP X5R 2.2UF 16V +-10% 0603 SAMSUN L	1	PCS
R182,R183,R259,R260	CHIP 4.7K OHM 100PPM +-1% 1206 WALS L	4	PCS
U9	REG AS78L05RTR-G1 SOT-89 DIODES K	1	PCS
C284,C81	CAP Y5V .10UF 50V -20+80% 0603 WALSIN	2	PCS
C28	CAP NPO 100PF 50V +-5% 0603 WALSIN L	1	PCS
R24,R5	CHIP 1M OHM 100PPM +-1% 0402 WALS L	2	PCS
C140,C149	CAP NPO 1500P 50V +-5% 0603 WALSIN L	2	PCS
R289,R42	CHIP 47K OHM 100PPM +-1% 0805 WALS L	2	PCS
R118	CHIP 680 OHM 100PPM +-1% 0402 WALS L	1	PCS
Q1,Q10,Q15,Q3	NMOS 650V LSE65R125HT TO263(LONTEN	4	PCS
R26	CHIP 75 OHM 100PPM +-1% 0603 WALS L	1	PCS
R122	CHIP 1 OHM 100PPM +-1% 0805 WALS L	1	PCS
R193,R195	CHIP 470K OHM 100PPM +-1% 0603 WALS	2	PCS
R2,R257,R285,R287,R53,R244,R274	CHIP 3.3K OHM 100PPM +-1% 0603 WALS L	7	PCS
C22,C23	CAP X7R 220PF 500V +-10% 0805 WALSIN L	2	PCS
D35,D59	600V 10A SFS1008G TSC K	2	PCS
R92,R93,R94,R99	CHIP 15 OHM 100PPM +-1% 0603 WALS L	4	PCS
R344,R345	CHIP 100K OHM 200PPM +-5% 0603 WALS	2	PCS
R106,R125,R25,R349,R86	CHIP 0 OHM 0 OHM 0 OHM 0603 WALS L	5	PCS
R213,R221	CHIP 49.9 OHM 100PPM +-1% 0603 WALS L	2	PCS
R133,R387	CHIP 33K OHM 100PPM +-1% 0402 WALS L	2	PCS
C14	CAP NPO 15PF 500V +-5% 1206 WALSIN L	1	PCS
R149,R169,R332,R333,R334,R335,R88, C27,C4	CHIP 47 OHM 100PPM +-1% 1206 WALS L	10	PCS
D15,D16,D23,D30,D33,D34,D36,D39,D4 0,D49,D50,D57,D58,D67,D7	SWITC 100V 150MA 1N4148WS TSC L	15	PCS
C103	CAP X7R .047U 50V +-10% 0402 WALSIN L	1	PCS
C283	CAP X7R .10UF 50V +-10% 0402 YAGEO L	1	PCS
Q34	PNP 40V LMBT3906LT1G SOT23 LRC L	1	PCS
C229,C83,C90,C100,C133	CAP X7R .10UF 50V +-10% 0402 SAMSUN L	5	PCS
J2	CONNECTOR 26PIN P:2.0MM 180 CGE K	1	PCS
Q22,Q28,Q30,Q32,Q6,Q7,Q8,Q9	NPN 40V MMBT3904WT1G SC70 (ON K	8	PCS
R4,R415	CHIP 4.7 OHM 100PPM +-1% 0805 WALS L	2	PCS
R378,R65	CHIP 75K OHM 100PPM +-1% 0603 WALS L	2	PCS
Q25,Q33	NMOS VDS=3 MTB030N03N3 SOT23 CYSTEC K	2	PCS
C3	CAP X7R .47UF 16V +-10% 0603 MURATA L	1	PCS

C84	CAP X5R 4.7UF 16V +-20% 0402 MURATA L	1	PCS
R249,R250,R279,R280	CHIP 68 OHM 100PPM +-1% 0603 WALS L	4	PCS
C157,C243,C5,C68,C88,C91,C93	CAP X7R 1.0UF 50V +-10% 0603 WALSIN L	7	PCS
R123,R258,R288	CHIP 220 OHM 100PPM +-1% 0603 WALS L	3	PCS
R414	CHIP 2.2 OHM 100PPM +-1% 1206 WALS L	1	PCS
R127,R52,R56,R85	CHIP 100 OHM 100PPM +-1% 0603 WALS L	4	PCS
R1	CHIP 10 OHM 200PPM +-5% 0805 WALS L	1	PCS
U5	DC DC CVT SY8201ABC SOT23-6 SILERGY	1	PCS
Q11,Q12,Q13,Q17,Q2,Q26,Q27,Q29	PNP -40V MMBT4403LT1G SOT23 ON K	8	PCS
U1	SP HR1001AGS SOIC-16 MPS K	1	PCS
C286	CAP 10UF 10V +-20% 0603X5R SAMSUNG L	1	PCS
R145	CHIP 1.3 OHM 100PPM +-1% 1206 WALS L	1	PCS
R174,R198	CHIP 1M OHM 100PPM +-1% 0603 WALS L	2	PCS
C56,C75	CAP NPO 220PF 100V +-5% 0805 WALSIN L	2	PCS
C30,C33	CAP X7R .033U 100V +-10% 0805 WALSIN L	2	PCS
R70	CHIP 100K OHM 50PPM +-1% 0402 YAGE L	1	PCS
C242,C245,C79	CAP X7R 220PF 100V +-10% 0603 WALSIN L	3	PCS
R255	CHIP 680 OHM 100PPM +-1% 0603 WALS L	1	PCS
U19,U21	OP IRS2092STRPBF SOIC16N I.R. W	2	PCS
D41	TVS 58V SMAJ58CA SMD LITTELFU K	1	PCS
R151,R153,R154	CHIP 3.3M OHM 100PPM +-1% 1206 WALS	3	PCS
R350	CHIP 3.3K OHM 100PPM +-1% 0805 WALS L	1	PCS
R13	CHIP 16K OHM 100PPM +-1% 0402 WALS L	1	PCS
R158,R175	CHIP 470 OHM 100PPM +-1% 0603 WALS L	2	PCS
C55,C59,C60	CAP X7R .10UF 500V +-10% 1210 KEMET L	3	PCS
U15,U16,U7,U8	NMOS 150V HGN195N15S SMD HUNTEC K	4	PCS
D21,D25,D26,D28,D29,D38,D47,D48,D5	200V 1A ES1DL JSCJ K	9	PCS
R110,R111,R112,R96,R97,R98	CHIP 1.2M OHM 100PPM +-1% 1206 WALS	6	PCS
Q24	NPN 40V MMBT3904LT1G SOT-23 ON SEM	1	PCS
R181,R190,R267,R392,R46	CHIP 33K OHM 100PPM +-1% 0603 WALS L	5	PCS
R105,R20,R72,R8	CHIP 33 OHM 100PPM +-1% 0805 WALS L	4	PCS
R17,R18,R22,R23	CHIP 39K OHM 100PPM +-1% 0805 WALS L	4	PCS
R211,R216,R220,R224	CHIP 560 OHM 100PPM +-1% 0603 WALS L	4	PCS
R416,R417,R67,R68,R69,R74,R75,R76	CHIP 820K OHM 100PPM +-1% 1206 WALS	8	PCS
U33,U4	TEMP-OP LM358DR SO8 TI L	2	PCS
R187,R188,R264,R265	CHIP 20 OHM 100PPM +-1% 1206 WALS L	4	PCS
R172	CHIP 9.1K OHM 100PPM +-1% 0603 WALS L	1	PCS
R336	CHIP 10 OHM 100PPM +-1% 0402 WALS L	1	PCS
C73,C98	CAP X7R 4.7UF 25V +-10% 0603 WALSIN L	2	PCS
C13	CAP NPO 100PF 50V +-5% 0402 WALSIN L	1	PCS
	SCREW M3.0XL10 0.5PCSSED COATING K	1	PCS
L9	10UH 1.6A 100K SMD HOTLAN MCW-042 K	1	PCS
R246,R252,R275,R282	CHIP 8.2K OHM 100PPM +-1% 0603 WALS L	4	PCS
R248,R278	CHIP 12K OHM 100PPM +-1% 0603 WALS L	2	PCS
R155	CHIP 100 OHM 100PPM +-1% 0805 WALS L	1	PCS
D32	SWTIC 70V 215MA BAV99LT1G ON SE K	1	PCS
C15	CAP X5R .22UF 25V +-10% 0402 WALSIN L	1	PCS
R73	CHIP 22.1K OHM 100PPM +-1% 0402 WALS	1	PCS
R256,R286	CHIP 2.7K OHM 100PPM +-1% 0603 WALS L	2	PCS
C231	CAP X7R .01UF 50V +-10% 0402 SAMSUN L	1	PCS
C8	CAP NPO 330PF 50V +-5% 0402 WALSIN L	1	PCS
C29	CAP NPO 3300P 50V +-5% 0603 WALSIN L	1	PCS
R150,R346	CHIP 2.2K OHM 100PPM +-1% 0603 WALS L	2	PCS
C285	CAP NPO 22PF 50V +-5% 0402 WALSIN L	1	PCS

R10,R164,R35,R36,R377,R379,R391,R40,R59,R61,R62	CHIP 1K OHM 100PPM +-1% 0603 WALS L	11	PCS
C70	CAP NPO 22PF 50V +-5% 0402 MURATA L	1	PCS
C26	CAP NPO 220PF 50V +-5% 0603 MURATA L	1	PCS
C226,C99	CAP X7R 3300P 50V +-10% 0402 WALSIN L	2	PCS
U22	SP UCC28064ADR SOIC16 TI W	1	PCS
C71	CAP X7R .01UF 50V +-10% 0402 WALSIN L	1	PCS
R384,R409,R410,R411	CHIP 47 OHM 100PPM +-1% 0402 WALS L	4	PCS
C107,C115,C139,C147,C152,C260,C264,C309,C310,C32,C34,C36,C37,C39,C40,C41,C42,C43,C44,C45,C85,C95,C148,C	CAP X7R .10UF 50V +-10% 0603 WALSIN L	24	PCS
D37	ZD 12V 400MW 2% SOD-32 PAN J K	1	PCS
C16	CAP X7R .01UF 50V +-10% 0402 MURATA L	1	PCS
Q5	NMOS 600V BSS127S-7 SOT23 DIODES K	1	PCS
R337,R339,R390,R394,R397,R399,R401,R404,R407,R338	CHIP 0 OHM 200PPM +-5% 0402 WALS L	10	PCS
C77	CAP X7R .01UF 16V +-10% 0402 WALSIN L	1	PCS
R109,R136,R16	CHIP 10K OHM 100PPM +-1% 0402 WALS L	3	PCS
R406,R395	CHIP 0 OHM 0 OHM 0 OHM 0805 WALSI L	2	PCS
D12,D13,D14	ZD 24V 500MW +0.6-1.2 SOD123 BLUE K	3	PCS
C131,C175	CAP NPO 1000P 100V +-5% 0805 WALSIN L	2	PCS
C164,C191	CAP NPO 22PF 100V +-5% 0805 WALSIN L	2	PCS
R209,R217,R218,R225	CHIP 6.8K OHM 100PPM +-1% 0603 WALS L	4	PCS
C112	CAP X7R .47UF 50V +-10% 0805 WALSIN L	1	PCS
	NUT M3XOD6.3XL2.4 COLOR K	1	PCS
C117,C128	CAP X7R .01UF 100V +-10% 0805 WALSIN L	2	PCS
HPCStsink1	HPCSTSINK L ALUMINUM NATUR COLOR K	1	PCS
C134,C263	CAP X7R .01UF 50V +-5% 0603 WALSIN L	2	PCS
R44	CHIP 4.7K OHM 100PPM +-1% 0603 WALS L	1	PCS
R32,R33,R34	CHIP 2.2M OHM 100PPM +-1% 1206 WALS	3	PCS
R87	CHIP 162K OHM 100PPM +-1% 0402 WALS	1	PCS
R222,R226	CHIP 10 OHM 200PPM +-1% 0603 WALS L	2	PCS
R178,R180	CHIP 330K OHM 100PPM +-1% 0603 WALS	2	PCS
R116,R388	CHIP 47K OHM 100PPM +-1% 0402 WALS L	2	PCS
C78	CAP NPO 680PF 50V +-5% 0402 WALSIN L	1	PCS
D2	TVS 5.78~ RSB6.8SM SMD ROHM L	1	PCS
R420	CHIP 510K OHM 100PPM +-1% 0603 WALS	1	PCS
R189,R266	CHIP 34K OHM 100PPM +-1% 0603 WALS L	2	PCS
R114,R115,R30,R31,R6,R9	CHIP 220 OHM 100PPM +-1% 1206 WALS L	6	PCS
D18,D19,D45,D46	DIODE 200V 1.0A ES1D-13-F DIODE K	4	PCS
R132	CHIP 56K OHM 100PPM +-1% 0402 WALS L	1	PCS
R100	CHIP 300K OHM 100PPM +-1% 0603 WALS	1	PCS
D1	DIODE 1000 0.8A RS1ML TSC K	1	PCS
U11,U14,U2,U34	TEMP-PHOTO 5V EL817S1(C)(T DIP EVERLI	4	PCS
R129	CHIP 133K OHM 100PPM +-1% 0402 YAGE	1	PCS
R245,R277	CHIP 49.9K OHM 100PPM +-1% 1206 WALS	2	PCS
R81,R82	0.01 OHM 50PPM +-1% 1206 YAGE K	2	PCS
C92	E 220UF 25V +-20% 8*12MM KM.221M1E K	1	PCS
J5	CONNECTOR 2PIN 3.96MM DIP 180 K	1	PCS
CY6	PLS-DIP 470PF 440V +-10% D CD45-B2G K	1	PCS
T1	TRANSF ±60V 390V 20 CLICK BCK4901-5 K	1	PCS

K1	RELAY 12V 250V 10A DIP HF3FD\012 W	1	PCS
	SILICON GRPCSSE SLD-746 K	3	G
J1	TEMP-CONNECTOR 4 PIN 3.96MM WHITE	1	PCS
L11	20±30% 5.0A 1KHZ 17MM GANTON GTCN138 K	1	PCS
C50,C51	E 330UF 450V +-20% 30X40M HU331M450 K	2	PCS
C49,C54	PLS-DIP 1UF 630V +-10% W B32672P6 K	2	PCS
L2,L7	CKCMV2820-10MH\MIN-A5324 L	2	PCS
C11,C20,C21,C307,C308,C9	E 1000U 80V +-20% 16X41M KF102M080 K	6	PCS
L4,L5	TRANSF 390V 370V 8P CLICK PQ32-1271 K	2	PCS
RT3	NTC THERMISTOR 10 OHM MF72-10D20 6A	1	PCS
C123,C129	TEMP-PLS-DIP 1UF 100V +-5% 7 C242A105	2	PCS
C24,C25	PLS-DIP 0.068U 1KV +-5% W B32642B K	2	PCS
L1,L3	15UH 31A 100K DIP CODACA CPD2320 K	2	PCS
RT2	MOV 300V B72214S0301K DIP EPCSOS K	1	PCS
	THERMAL GEL_65-00-GEL30- 0030_30ML\PCS K	4.2	ML
	ANT BT 356MM 50 OHM 2.4 INPAQ K	1	PCS
	PRX900 CONDUCTIVE FOAM K	4	PCS
	CABLE 3P VWA396010-0150 150MM K	1	PCS
	CABLE 4P*2 VH-4Y-47-R 3.96MM 150MM\600	1	PCS
	CABLE 8P PHDR-8Y-PHS-02 120MM+30MM*2 P K	1	PCS
	AC SOCKET TU-301-AP-AEB-JJ1(D) 250V W	1	PCS
	SPACER SUPPORT NYLON 66 94V0 NATUR	1	PCS
	918 IO PANEL AL1050 BLACK POWDER K	1	PCS
	918 SHIELDING CO AL1050 NATUR DEGRPCS K	1	PCS
	700 KNOB MASTER ABS PA-75 94HB BLACK	1	PCS
	BUTTON POWER ABS+PCS 94HB PANTO K	1	PCS
	BUTTON BACK ABS 94HB PANTO K	1	PCS
	918 POLARITY BUT ABS 94HB PANTO K	1	PCS
	918 LENS CHANNEL PCS-110 94HB TRANS	1	PCS
	LIMIT LENS PCS-110 94HB TRANS K	1	PCS
	LCD COVER PCS 94HB TRANS K	1	PCS
	LCD HOLDER PCS 94HB TRANS K	1	PCS
	HPCSTSINK 1 ALUMINUM NATUR	1	PCS
	HPCSTSINK 2 ALUMINUM NATUR	1	PCS
	HPCSTSINK 3 ALUMINUM NATUR	1	PCS
	HPCSTSINK 4 ALUMINUM NATUR	1	PCS
	HPCSTSINK 5 ALUMINUM NATUR	1	PCS
	HPCSTSINK 6 ALUMINUM NATUR	1	PCS
	HPCSTSINK 7 ALUMINUM NATUR	1	PCS
	PRX900 GASKET LED-2 K	1	PCS
	PSU BRACKET ALUMINUM NATUR	1	PCS
	PRX900 THERMAL PAD-1 K	1	PCSS
	PRX900 THERMAL PAD-2 K	1	PCSS
	PRX900 THERMAL PAD-3 K	1	PCSS
	PRX900 THERMAL PAD-4 BOTTOM K	3	PCSS
	PRX900 THERMAL PAD-4 TOP K	1	PCSS
	PRX900 THERMAL PAD- 5 BOTTOM K	1	PCSS
	PRX900 THERMAL PAD- 5 TOP K	1	PCSS
	PRX900 THERMAL PAD- 6 K	1	PCSS

	PRX900 THERMAL PAD- 7 K	1	PCSS
	LCD EVA K	1	PCS
	CABLE 1P VWG100000-0070 UL1015#18 85MM K	1	PCS
	PRX918 EVA LENS-3 K	1	PCS
	PRX918 EVA LENS CHANNEL K	1	PCS
	PRX900 GASKET BUTTON-1 K	2	PCS
	PRX900 GASKET BUTTON-2 K	1	PCS
	PRX918 GASKET LED K	1	PCS
	AMP PLUG NYLON 66 94V0 NATUR K	1	PCS
	PRX900 EVA SPCSL LED PCSB K	3	PCS
	EVA 2 FOR POWER BUTTON E-4308 K	1	PCS
	PRX900 RUBBER SHEET K	1	PCS
	PRX900 PCS SHEET K	1	PCS
	SCREW M3.0XL10 0.5P ZINC+CED COAT K	2	PCS
	SCREW M3.0XL9 0.5P BLUE ZINC+NYL K	25	PCS
	SCREW T3*10MM 1.06P ZN+NI+HT BLA K	8	PCS
	SCREW M4XL16.5 0.7P NYLOK CED COA K	3	PCS
	SCREW M4XL10 NYLOK K	3	PCS
	PRX900 EVA LENS 2 K	1	PCS
	PRX900 HEXAGON BOLT A K	1	PCS
	PRX900 HEXAGON BOLT B K	1	PCS
	NUT M4XOD8.0XH4.1 0.7P STEEL NI	5	PCS
	SPONGE5 :YU356(HF-1) ADHESIVE DS11 K	1	PCS
	GREEN GLUE HAOZHENG:HD-200G L	0	KG
	GLUE SOL2209 BLACK L	0	KG
	CABLE SADDLE AB-20C NYLON 66 K	1	PCS
	TUBE PVC 5 10 - K	3	PCS
	PHB-4Y-1.25-02 870MM 4PIN 2.0MM 1.25MM	1	PCS
	PHB-2Y-PH-02 420MM 2PIN 2.0MM K	1	PCS
	PRX918S PACKING ASSY K	1	PCS
	PLYWOOD PALLET E1 L	0	PCS
	G-CARTON PAD STAMPING PAPER L	0.1	PCS
	PRX918 CARTON BOX K	0.5	PCS
	G-PP BAND YELLOW 11G/M L	0.3	M
	WRAP TAPE 0.02MMX450MMX340M L	0	ROL
	CORNER PAD YARN TUBE PAPER L5XW2XT0.5 L	0.1	PCS
	G-OPP TAPE W60MMXL60YD 100RL/BOX L	0	ROL
	PRX918 EPS K	1	PCS
	EON618 PE BAG K	1	PCS
	EON700&EON718S CARTON LABEL K	0.5	PCS
	G4 BLANK LABEL FASSON-AW5209	1	PCS
	BLANK LABEL ALL MODELS SHARE	1	PCS
	EON700&EON718S SERIAL LABEL K	1	PCS
	G4 BLANK LABEL FASSON-AW5209	1	PCS
	JBL PRX918S ACCESSORY ASSY K	1	PCS
	JBL PRX918 LED BOARD PCSBA TEST K	1	PCS
	JBL PRX918S LED BOARD PCSBA(DIP) K	1	PCS
	JBL PRX918S LED BOARD PCSBA(SMD) K	1	PCS
LED1,LED2,LED3	LED 618 1.6X1. J6C0606RGBC3 JINGJU K	3	PCS
J1	CON\C14404M 1.25MM VL L	1	PCS
	HARMAN PRX-ONE NTC BOARD PCSBA (SMT) K	1	PCS
PCSB	ARRAY\NTC 1.2 MM FR4 PRXONE 2L 94V-	1	PCS
CN8	CONNECTOR 2P P:2.0MM 90° SMT K	1	PCS
RT8	CHIP RES NTC 3% 0603 1/10W 470K OHM K	1	PCS