

Technical Manual

JBL SP215-6/WH

SPECIFICATIONS



ACOUSTIC & ELECTRICAL SPECIFICATIONS:

- Nominal Impedance: 8 ohm
- Power Capacity: 600W IEC; 2400W Peak
- Frequency Range: 33 Hz – 20 kHz (–10dB)
- Sensitivity: 97 dB SPL, 1 Watt @ 1 Meter
- Crossover Frequency: 1.2 kHz

SYSTEM COMPONENTS:

- Cabinet: (Not For Sale)
- Grille: 128-00253-65, 128-00253-00 (Wh)
- Low Frequency Transducer: 300mm (15 in.) Cone Transducer (2226HPL)
DC Resistance: 5.0 ohm ± 10% Aluminum Wire
- High Frequency Transducer: 100mm (4 in.) Pure Titanium Diaphragm (2447J)
DC Resistance: 8.0 ohm ± 8% Aluminum Wire

SYSTEM COMPONENTS: (cont'd)

- Crossover Network 129-20026-00

AURAL SWEEP TEST SPECIFICATIONS:

- A. System Aural Sweep Test: 7.0V Input, 20 Hz to 20 kHz
- B. L.F. Aural Sweep Test: 7.0V Input, 20 Hz to 1.2 kHz
- C. H.F. Aural Sweep Test: 2.0V Input, 550 Hz to 20 kHz

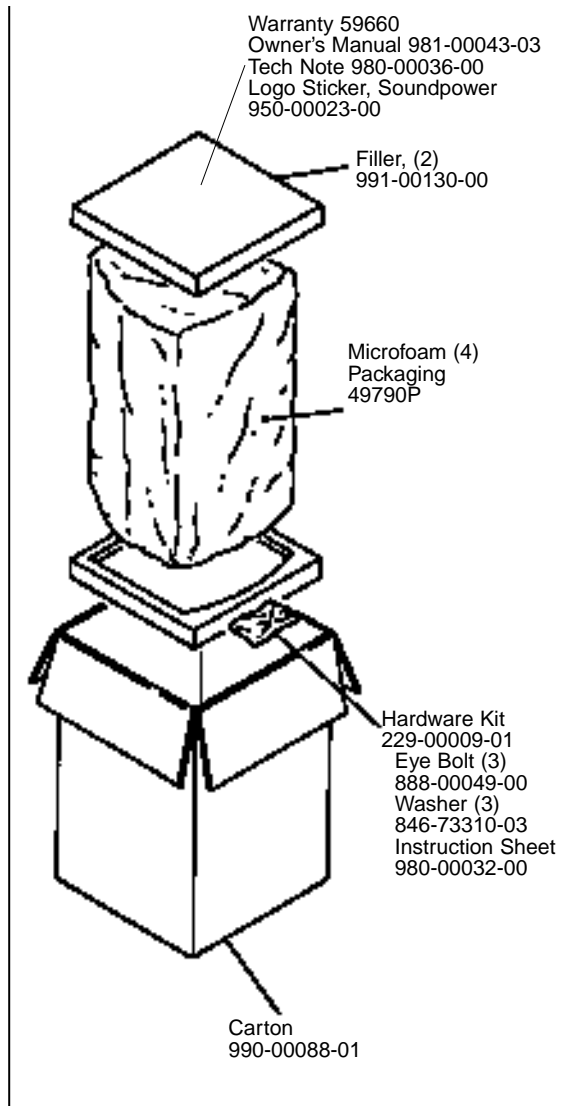
PHYSICAL SPECIFICATIONS:

- Enclosure Dimensions: 737mm x 448mm x 449mm D (29.0 x 17.64 x 17.68 in. D)
- Shipping Weight: 94 lbs. (42.6 kg.)

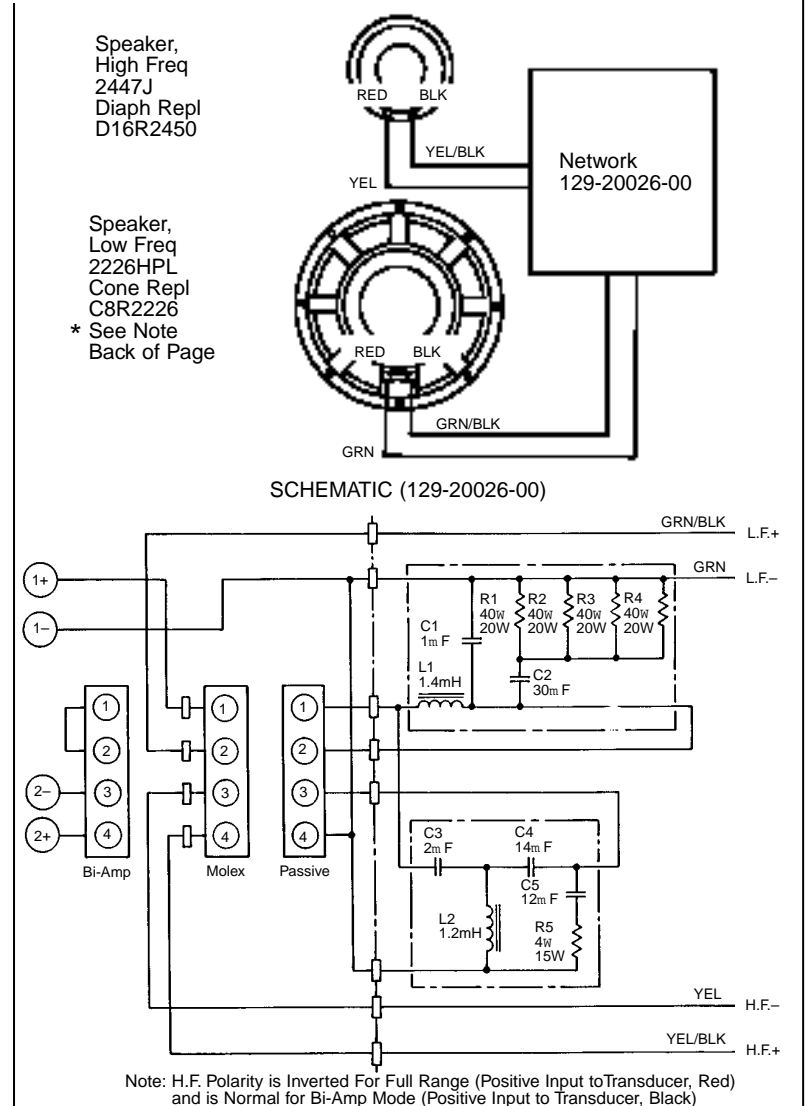
WARRANTY INFORMATION:

- Refer to Warranty Statement packed with each product.

PACKAGE



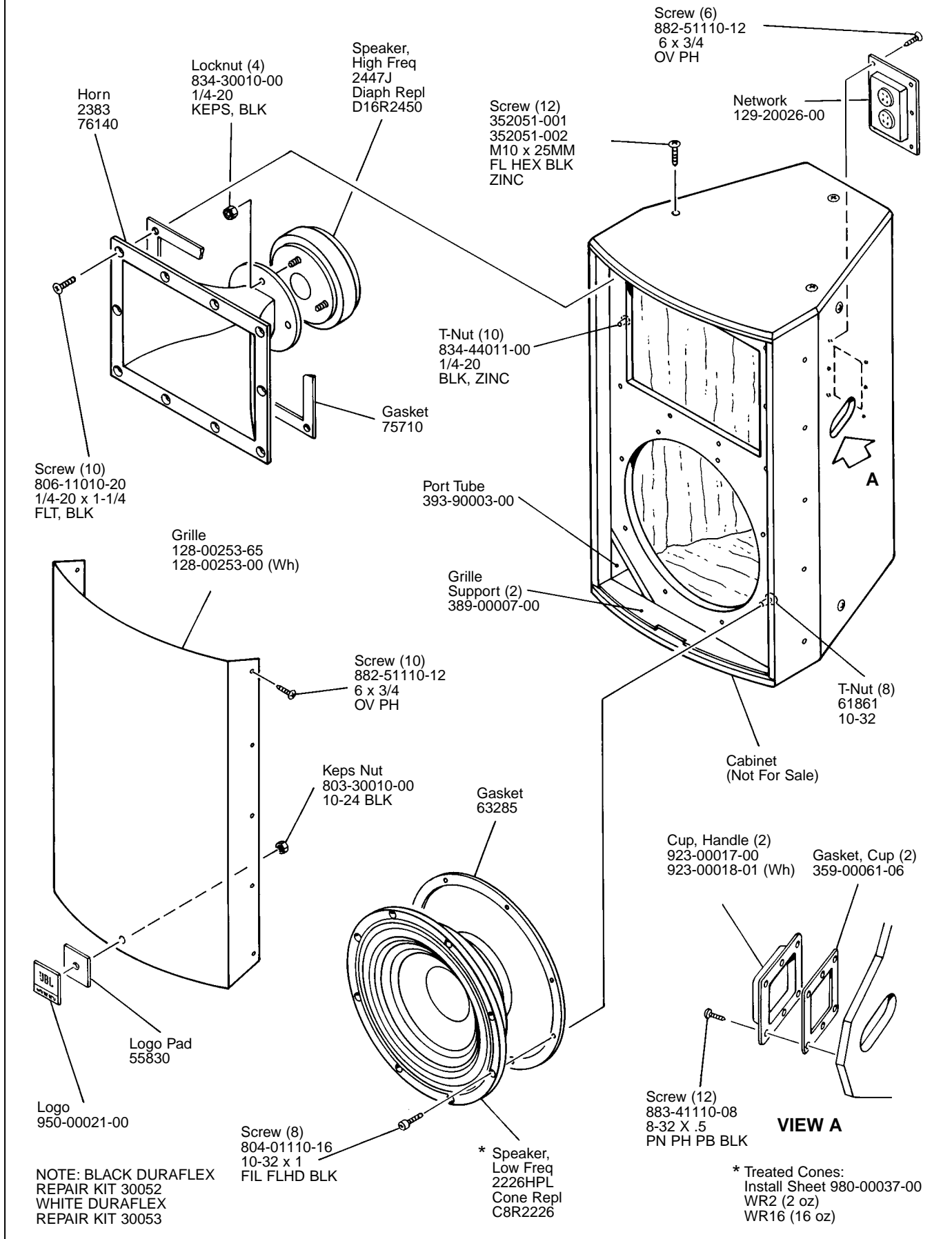
WIRING DIAGRAM



JBL SP215-6/WH REV N

JBL SP215-6/WH

COMPONENT EXPLODED VIEW



Horn
2383
76140

Locknut (4)
834-30010-00
1/4-20
KEPS, BLK

Speaker,
High Freq
2447J
Diaph Repl
D16R2450

Screw (6)
882-51110-12
6 x 3/4
OV PH

Screw (12)
352051-001
352051-002
M10 x 25MM
FL HEX BLK
ZINC

Network
129-20026-00

T-Nut (10)
834-44011-00
1/4-20
BLK, ZINC

Gasket
75710

Screw (10)
806-11010-20
1/4-20 x 1-1/4
FLT, BLK

Port Tube
393-90003-00

Grille
128-00253-65
128-00253-00 (Wh)

Grille
Support (2)
389-00007-00

Screw (10)
882-51110-12
6 x 3/4
OV PH

T-Nut (8)
61861
10-32

Cabinet
(Not For Sale)

Keps Nut
803-30010-00
10-24 BLK

Gasket
63285

Cup, Handle (2)
923-00017-00
923-00018-01 (Wh)

Gasket, Cup (2)
359-00061-06

Logo Pad
55830

Logo
950-00021-00

Screw (8)
804-01110-16
10-32 x 1
FIL FLHD BLK

* Speaker,
Low Freq
2226HPL
Cone Repl
C8R2226

Screw (12)
883-41110-08
8-32 X .5
PN PH PB BLK

VIEW A

* Treated Cones:
Install Sheet 980-00037-00
WR2 (2 oz)
WR16 (16 oz)

NOTE: BLACK DURAFLEX
REPAIR KIT 30052
WHITE DURAFLEX
REPAIR KIT 30053

JBL SP215-6/WH