

Technical Manual

JBL SR4718X

SPECIFICATIONS



ACOUSTIC & ELECTRICAL SPECIFICATIONS:

- Nominal Impedance: 4 ohm
- Power Capacity: 600W Continuous Pink Noise
- Frequency Range: 30 Hz – 1.1 kHz (-10 dB)
- Sensitivity: 95 dB SPL, 1 Watt @ 1 Meter
- Crossover Frequency: N/A

SYSTEM COMPONENTS:

- Cabinet: SR4718X (Not For Sale)
- Grille: 128-00415-00
- Low Frequency Transducer: 460mm (18 in.) Paper Cone Transducer (2241GPL)
- DC Resistance: 2.5 ohm ±10% Aluminum Wire
- Crossover Network: 129-00023-00

AURAL SWEEP TEST SPECIFICATIONS:

- A. System Aural Sweep Test: 7.0V Input, 20 Hz to 1.2 kHz
- B. L.F. Aural Sweep Test: 10.0V Input, 20 Hz to 1.2 kHz

PHYSICAL SPECIFICATIONS:

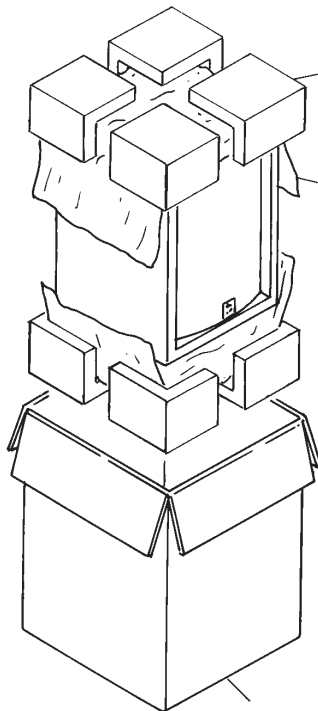
- Enclosure Dimensions: 610mm x 635mm x 460mm D (24.0 x 25.0 x 18.1 in. D)
- Weight: 108 lbs. (48.9 kg.)

WARRANTY INFORMATION:

- Refer to Warranty Statement packed with each product.

PACKAGE

Warranty 59660
User's Guide
SR-X Series
981-00052-04



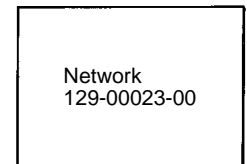
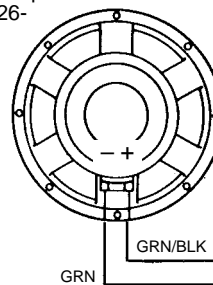
Filler (4)
Top & Bottom
991-00202-00

Microfoam (8)
Packaging
49790P

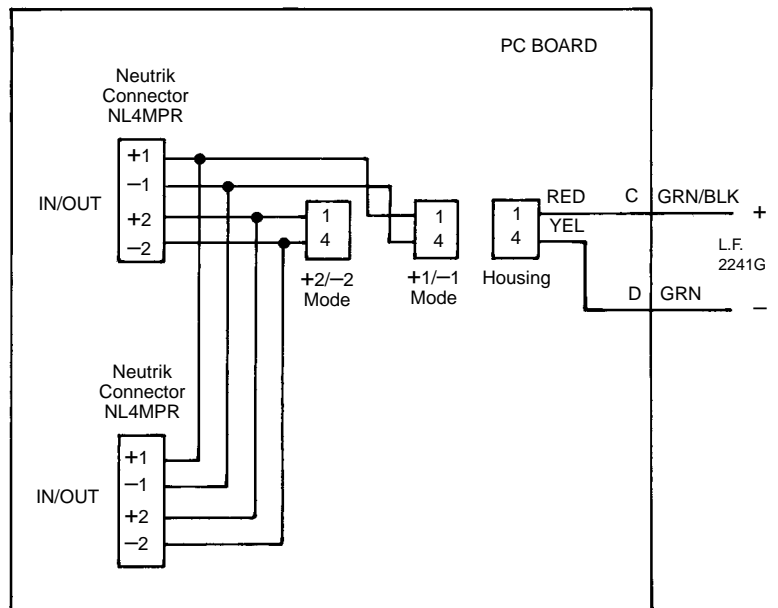
Carton
SR4718X
990-00176-00

WIRING DIAGRAM

Speaker, Low Freq
2241GPL (71126-03X)
Cone Repl
C4R2241



SCHEMATIC (129-00023-00)



JBL SR4718X REV Q

JBL SR4718X

COMPONENT EXPLODED VIEW

