

# Technical Manual

# JBL SR4722X/F



## SPECIFICATIONS

### ACOUSTIC & ELECTRICAL SPECIFICATIONS:

- Nominal Impedance: 8 ohms
- Power Capacity: 600W Continuous Pink Noise
- Frequency Range: 50 Hz – 18 kHz (-10dB)
- Sensitivity: 95 dB SPL, 1 Watt @ 1 Meter
- Crossover Frequency: 1.2 kHz

### SYSTEM COMPONENTS:

- Cabinet: SR4722X (Not For Sale)
- Grille: 128-00420-00
- Low Frequency Transducer: 305mm (12 in.) Paper Cone Transducer (2206HPL)
- DC Resistance: 5.3 ohm ±10% Aluminum Wire
- High Frequency Transducer: 25mm (1 in.) Exit Pure Titanium Compression Driver (2417H)
- DC Resistance: 3.2 ohm ±8% Aluminum Wire

### SYSTEM COMPONENTS: (Cont'd)

- Crossover Network: 129-20059-01

### AURAL SWEEP TEST SPECIFICATIONS:

- A. System Aural Sweep Test: 7.0V Input, 20 Hz to 20 kHz
- B. L.F. Aural Sweep Test: 15.0V Input, 20 Hz to 1.2 kHz
- C. H.F. Aural Sweep Test: 2.0V Input, 550 kHz to 20 kHz

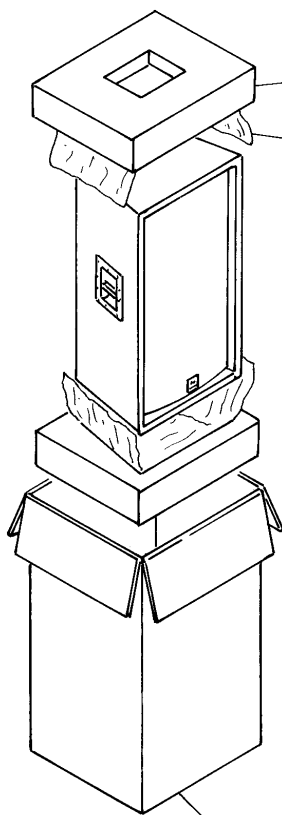
### PHYSICAL SPECIFICATIONS:

- Enclosure Dimensions: 711mm x 508mm x 343mm D (28.0 x 20.0 x 13.5 in. D)
- Shipping Weight: 68 lbs. (30.8 kg.)

### WARRANTY INFORMATION:

- Refer to Warranty Statement packed with each product.

## PACKAGE



Warranty 59660  
User's Guide  
SR-X Series  
981-00052-04

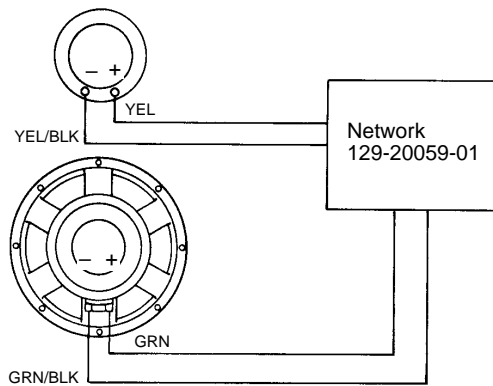
Filler, (2)  
Top & Bottom  
991-00187-01  
Microfoam (6)  
Packaging  
49790P

Carton  
SR4722X  
990-00190-00

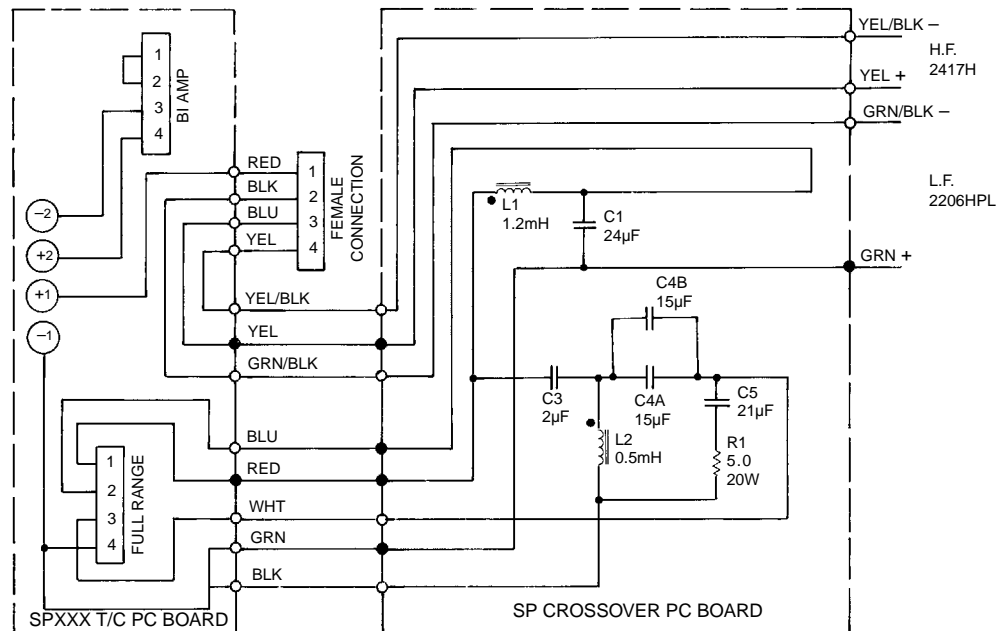
## WIRING DIAGRAM

Speaker, High Freq  
2417H (75716X)  
Diaph Repl  
D8R2417

Speaker, Low Freq  
2206HPL  
Cone Repl  
C8R2206



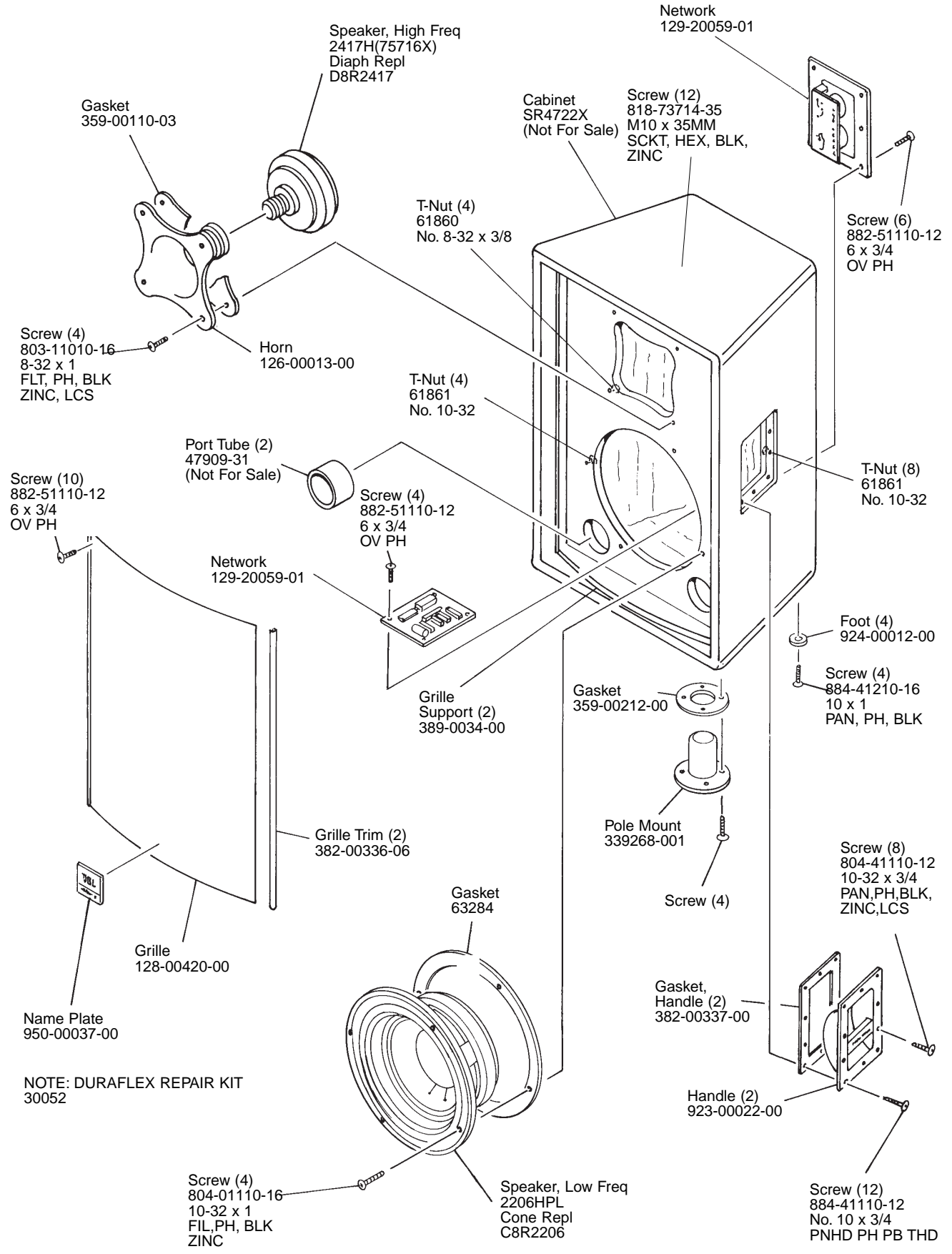
SCHEMATIC (129-20059-01)



KJBL SR4722X/F REV N

# JBL SR4722X/F

## COMPONENT EXPLODED VIEW



NOTE: DURAFLEX REPAIR KIT 30052

JBL SR4722X/F

# JBL SR4722X/F

## CAUTION!

Suspending this system should only be done by qualified persons following safe rigging standards.

Remember: the weakest component determines the size and safety of the entire array! **CAUTION!** Before suspending any array always inspect all components of the array (enclosure, truss module, threaded fasteners, connecting hardware, and lifting hardware) for cracks, deformations, corrosion, missing or damaged parts that could reduce strength and safety of the array. Use only load rated hardware. Building structural supports and hoist motors require inspection prior to each use by knowledgeable professionals. Never exceed maximum recommended load ratings.

In the event that the track has suffered damage, replace only with the correct part (see below) from JBL professional. Replacement with parts from other sources may result in suspension failure.

Track 3" fly ware part number 390-00012-00

Track 8" fly ware part number 390-00013-00

The only fitting load-rated for over head use is a SMI (909) 878-9104 part number SM-61B "L" Double Indexing locking Swivel Ring Fitting or a ATM (310) 834-5914 part number AMTS-3SF.