

Technical Manual

JBL SR4726X



SPECIFICATIONS

ACOUSTIC & ELECTRICAL SPECIFICATIONS:

- Nominal Impedance: 8 ohms
- Power Capacity: 600W Continuous Pink Noise
- Frequency Range: 35 Hz – 18 kHz (-10dB)
- Sensitivity: 97 dB SPL, 1 Watt @ 1 Meter
- Crossover Frequency: 1.1 kHz

SYSTEM COMPONENTS:

- Cabinet: SR4726X (Not For Sale)
- Grille: 128-00395-00
- Low Frequency Transducer: 380mm (15 in.) Paper Cone Transducer (2226HPL)
- DC Resistance: 5.0 ohm ±10% Aluminum Wire
- High Frequency Transducer: 50.8mm (1.5 in.) Exit Pure Titanium Compression Driver (2447J)
- DC Resistance: 8.0 ohm ±8% Aluminum Wire

SYSTEM COMPONENTS: (Cont'd)

- Crossover Network: 129-20055-01

AURAL SWEEP TEST SPECIFICATIONS:

- A. System Aural Sweep Test: 7.0V Input, 20 Hz to 20 kHz
- B. L.F. Aural Sweep Test: 7.2V Input, 20 Hz to 1.2 kHz
- C. H.F. Aural Sweep Test: 2.0V Input, 550 kHz to 20 kHz

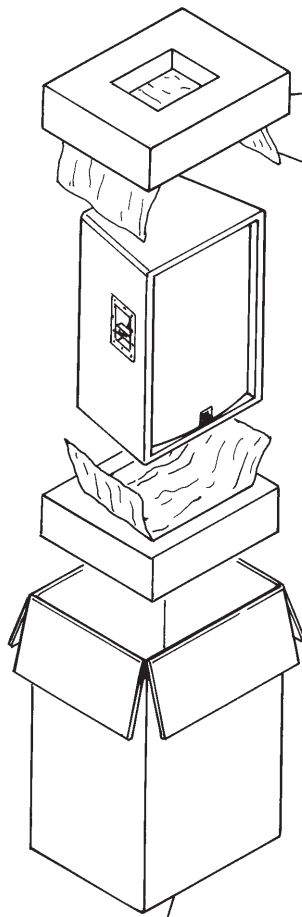
PHYSICAL SPECIFICATIONS:

- Enclosure Dimensions: 921mm x 635mm x 460mm D (36.25 x 25.0 x 18.0 in. D)
- Shipping Weight: 110 lbs. (49.9 kg.)

WARRANTY INFORMATION:

- Refer to Warranty Statement packed with each product.

PACKAGE



Warranty 59660
User's Guide
SR-X Series
981-00052-04

Filler, (2)
Top & Bottom
991-00179-02

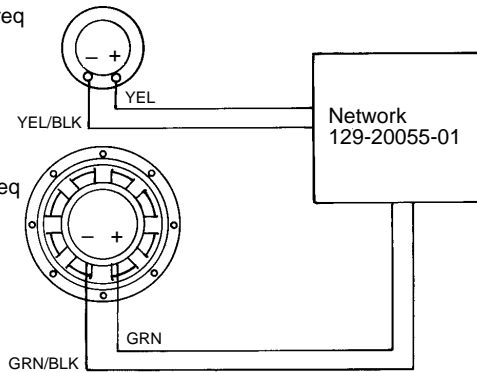
Microfoam (8)
Packaging
49790P

Carton
SR4726X
990-00172-00

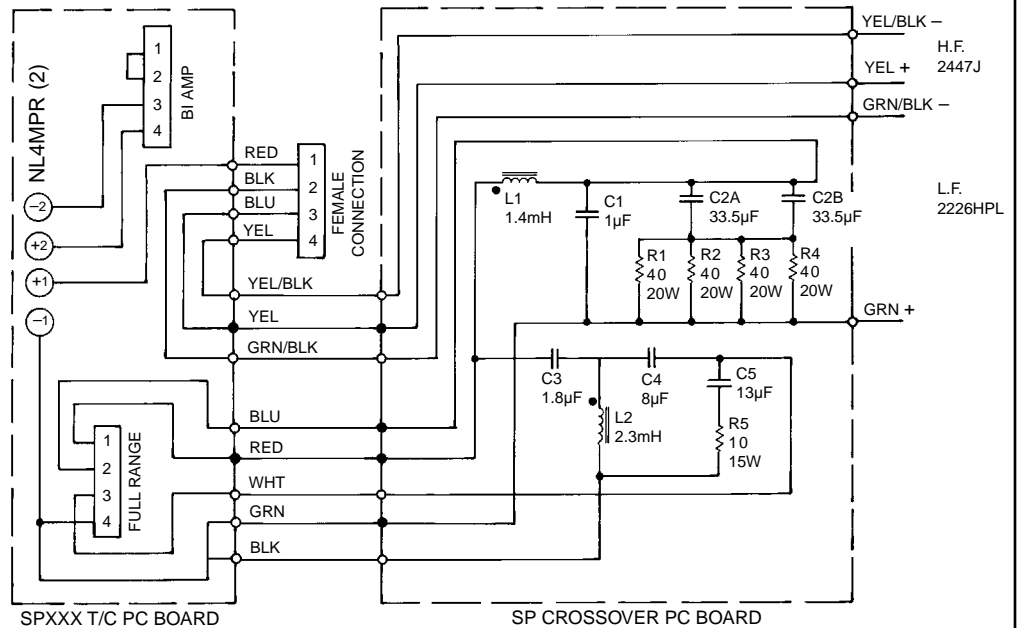
WIRING DIAGRAM

Speaker, High Freq
2447J
Diaph Repl
D16R2450

Speaker, Low Freq
2226HPL
Cone Repl
C8R2226



SCHEMATIC (129-20055-01)



JBL SR4726X

COMPONENT EXPLODED VIEW

