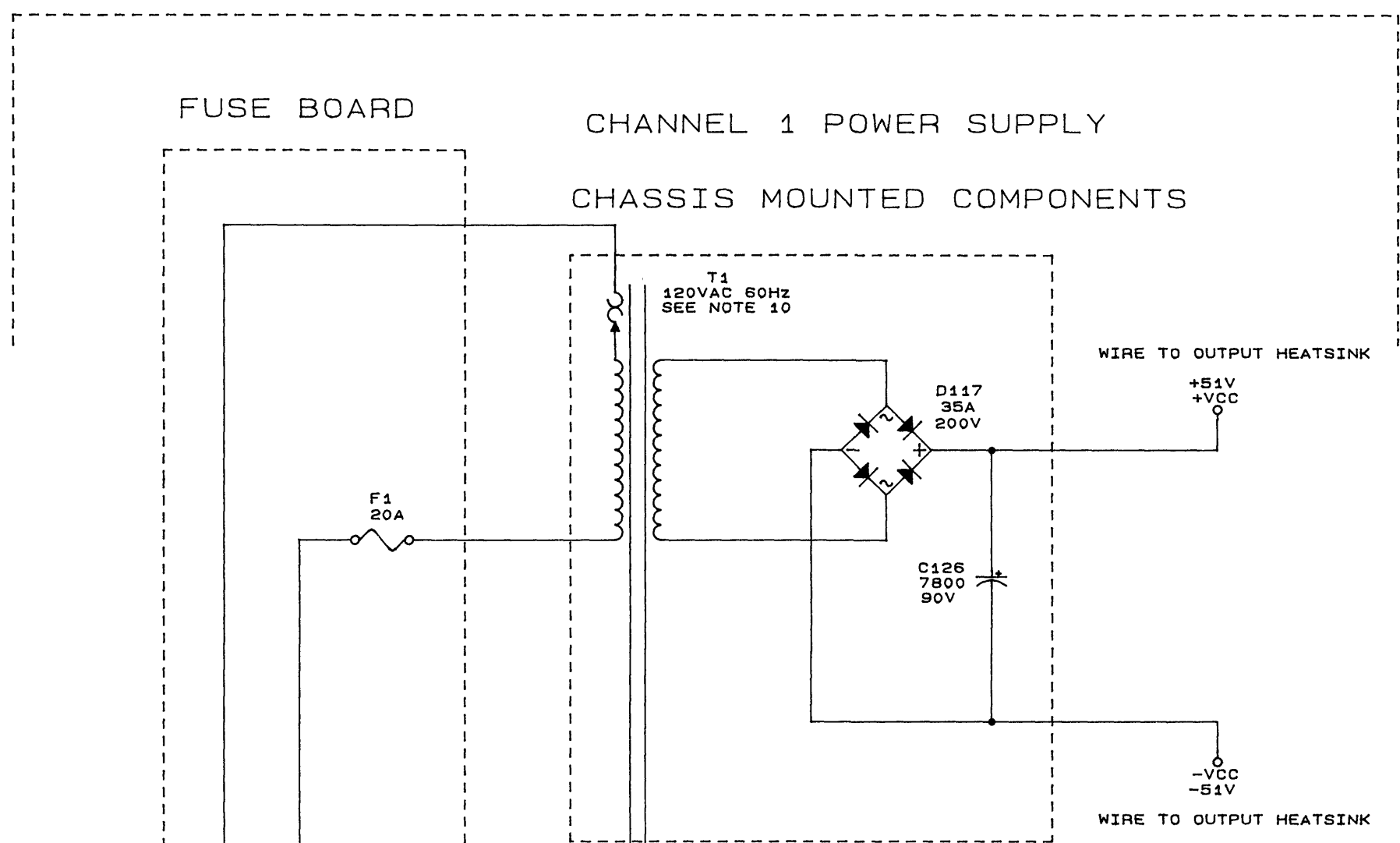


120V 60HZ

INTERNATIONAL

NOTES :

1. ALL RESISTORS ARE IN OHMS, 1/4W, 5% UNLESS OTHERWISE SPECIFIED.
2. ALL CAPACITORS ARE IN MICROFARADS UNLESS OTHERWISE SPECIFIED.
3. VALUES SELECTED AS NEEDED FOR DIFFERENT OP AMP CHARACTERISTICS.
4. CHANNEL 2 IS SHOWN ON SHEET 3. WHEN SHEET 3 IS NOT PRINTED, THEN FOR CHANNEL 2 ADD 100 TO REFERENCE DESIGNATORS. (EXAMPLE : CHANNEL 1 R101 WOULD BE CHANNEL 2 R201.) CONNECTOR AND IC PIN NUMBERS FOR CHANNEL 2 ARE SHOWN IN PARENTHESES WHEN THEY DIFFER FROM CHANNEL 1. EXCEPTIONS ARE CHAN 1 R2 CORRESPONDS TO CHAN 2 R3, CHAN 1 C5 CORRESPONDS TO CHAN 2 C6, CHAN 1 J500 CORRESPONDS TO CHAN 2 J700, AND CHAN 1 J600 CORRESPONDS TO CHAN 2 J800.
5. ALL DIODES ARE 1N4148 UNLESS OTHERWISE SPECIFIED.
6. ON J500 AND J700 THE STRIPED WIRE GOES TO PIN 10 OF THE BOARD AND THE PIN NUMBERS MOLDED ON THE CABLE SOCKET ARE REVERSED FROM THE PIN NUMBERS ON THE BOARD AND THE SCHEMATIC.
7. POWER SUPPLY VOLTAGES SHOWN UNDER NO LOAD/NO SIGNAL CONDITIONS.
8. CHANNEL 2 PRE-DRIVER BASES LOOP THROUGH STEREO-MONO SWITCH S100, SECTIONS E AND F.
9. T1 INCLUDES AN INTERNAL THERMAL SWITCH.
10. J2 IS LEFT EMPTY.
11. THIS SCHEMATIC APPLIES TO AMPLIFIERS USING MAIN BOARD D7883-5 / MODULE G43059-7 AND OUTPUT BOARD P10341-9 / MODULE G43015-9 OR OUTPUT BOARD P10397-1 / MODULE G43203-1
12. C148 IS 180pF AND C248 IS OPEN.

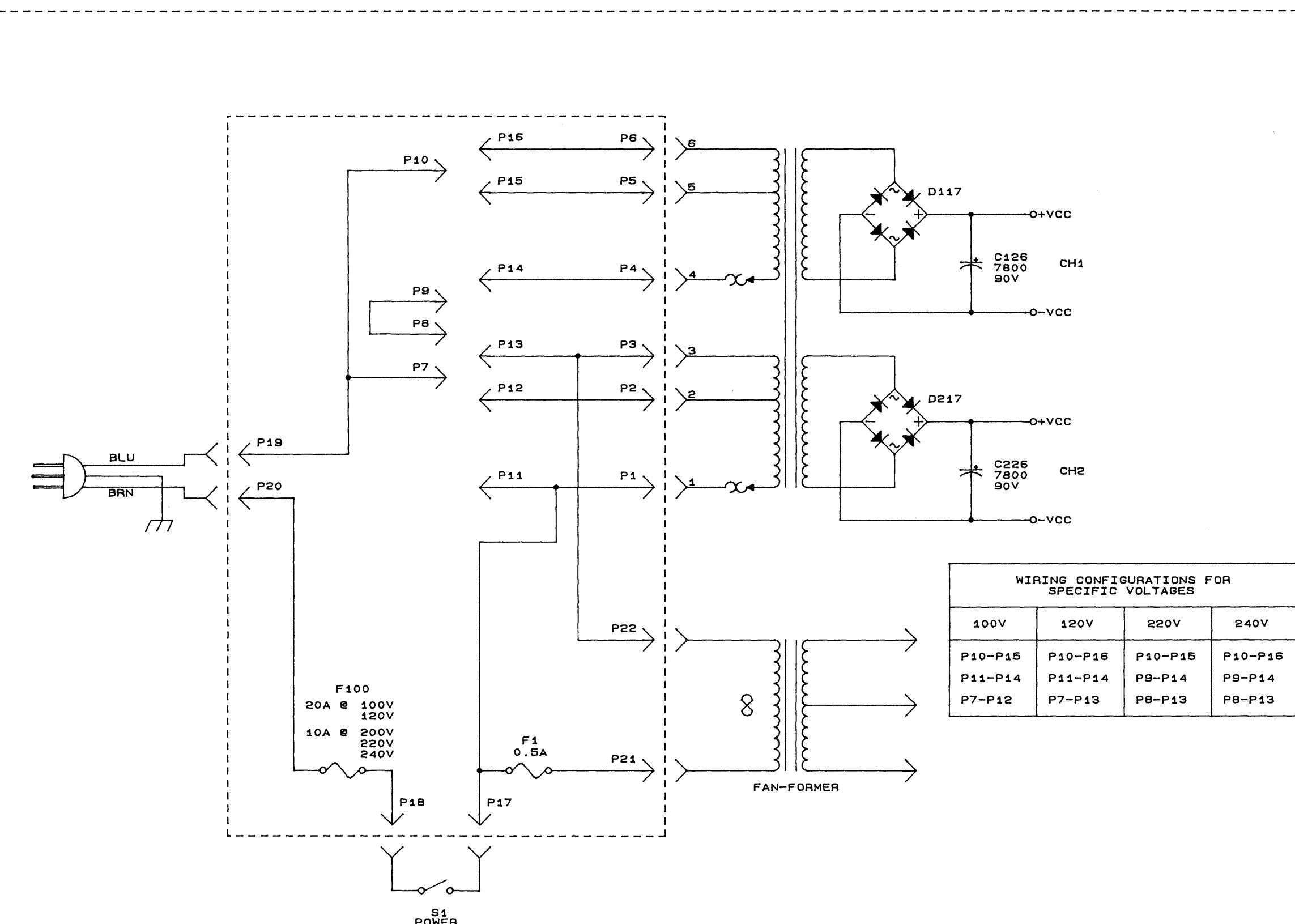


CHANNEL 1 POWER SUPPLY

CHASSIS MOUNTED COMPONENTS

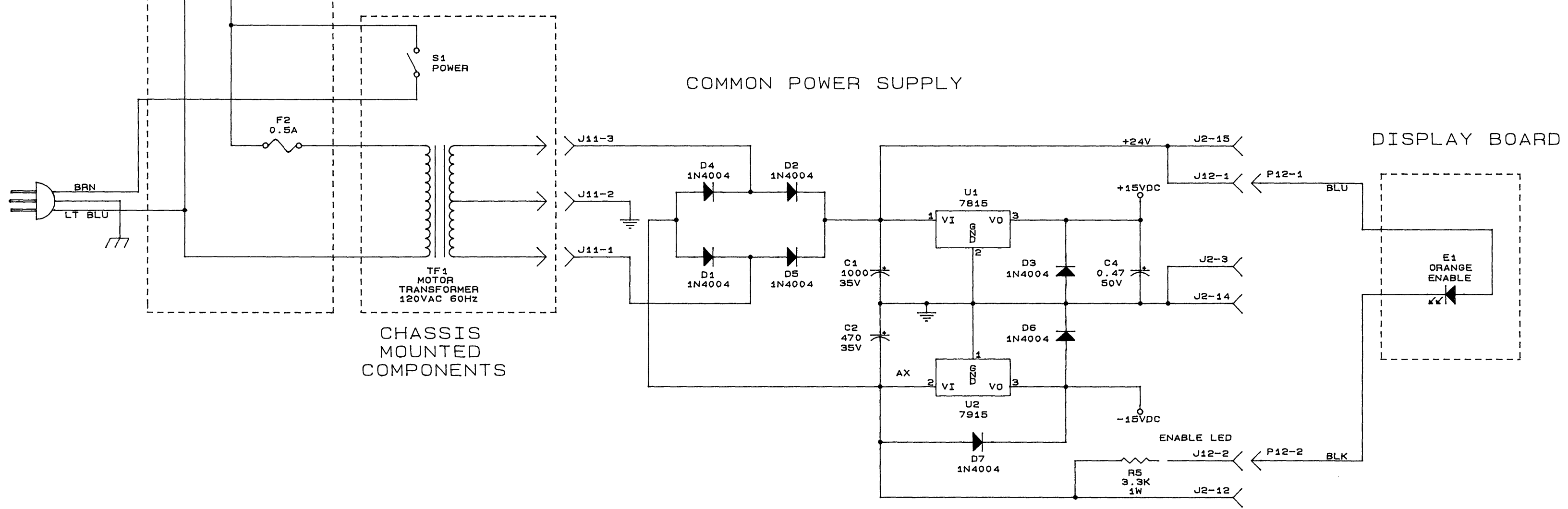
CHANNEL 2 POWER SUPPLY

CHASSIS MOUNTED COMPONENTS



WIRING CONFIGURATIONS FOR SPECIFIC VOLTAGES

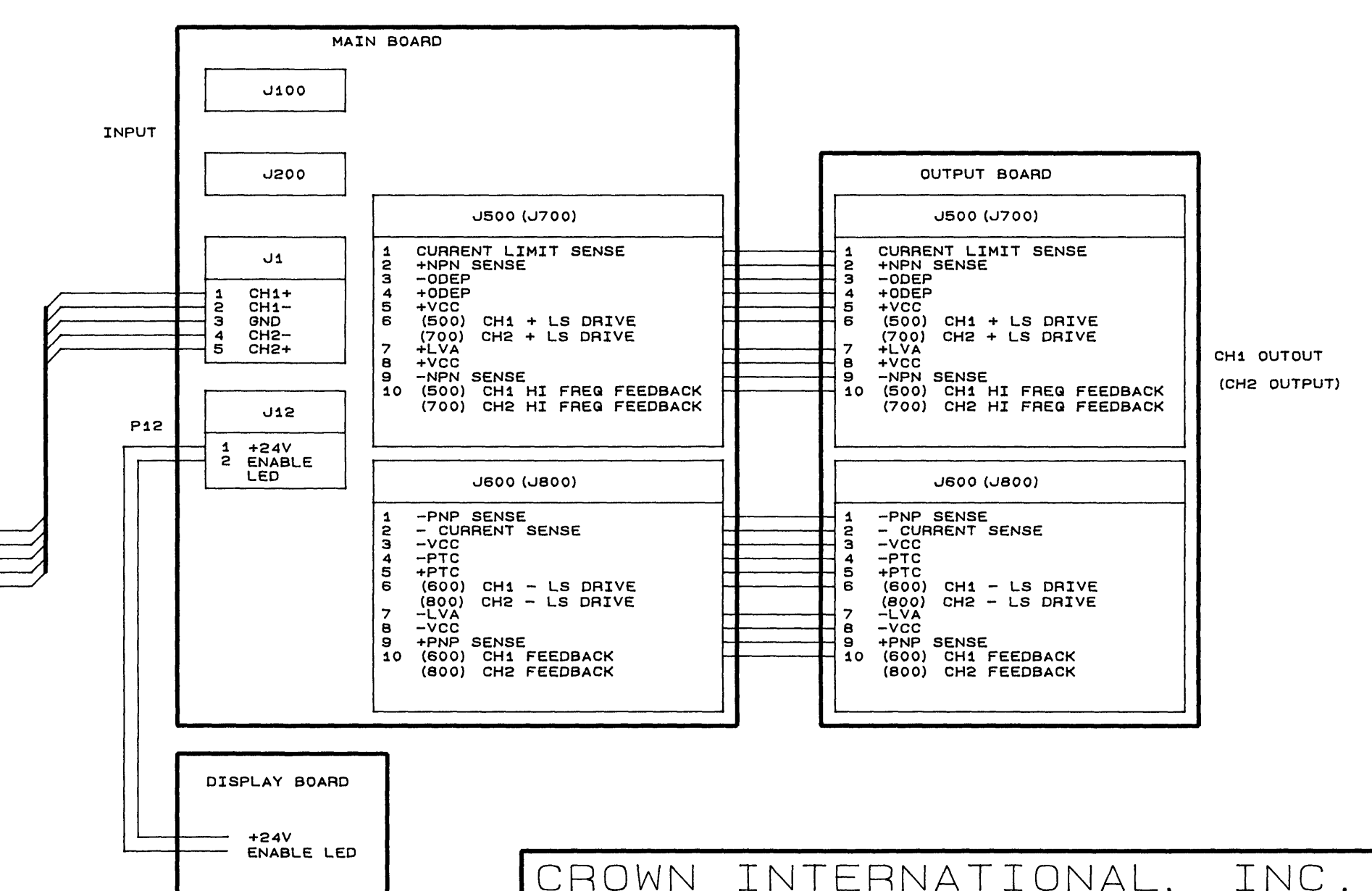
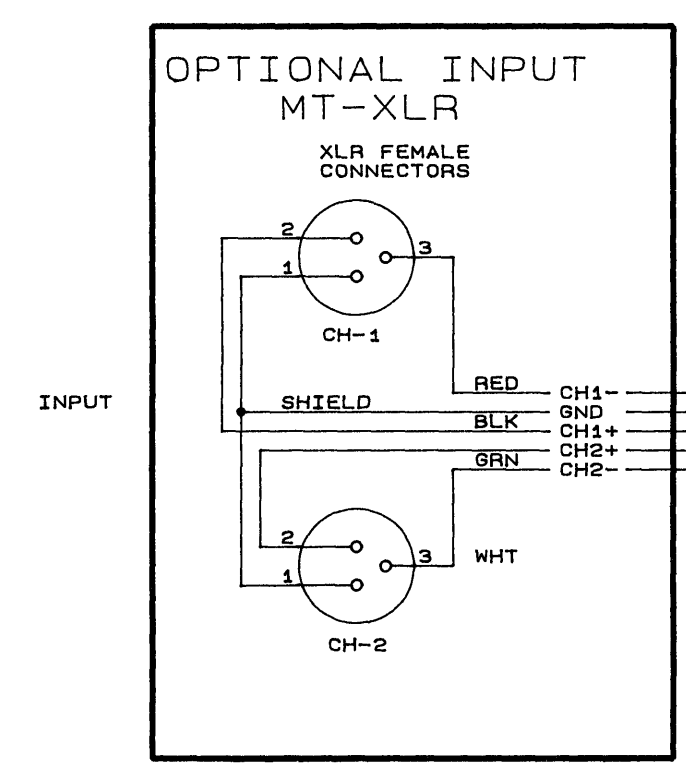
100V	120V	220V	240V
P10-P15	P10-P16	P10-P15	P10-P16
P11-P14	P11-P14	P9-P14	P9-P14
P7-P12	P7-P13	P8-P13	P8-P13



COMMON POWER SUPPLY

CHASSIS MOUNTED COMPONENTS

DISPLAY BOARD



CROWN INTERNATIONAL, INC.
1718 WEST MISHAWAKA ROAD ELKHART, IN. 46517 PHONE (219) 294-8000

SCHEM., PB1 & 460CSL

PRINTS TO	DRAWN	LCD	05/11/95	APPROVED BY :	DO NOT SCALE PRINT
	CHECKED			ME	SUPERSEDES
	SCALE	NONE		EE	E.C.N.
	PROJ #	D264		PE JM	06/07/95
	NEXT ASSEMBLY				C.P.N. SHEET 2 OF 2 REV J0694-0

INACTIVE
For Reference Use Only
Document Has Been Replaced
with a Newer Version