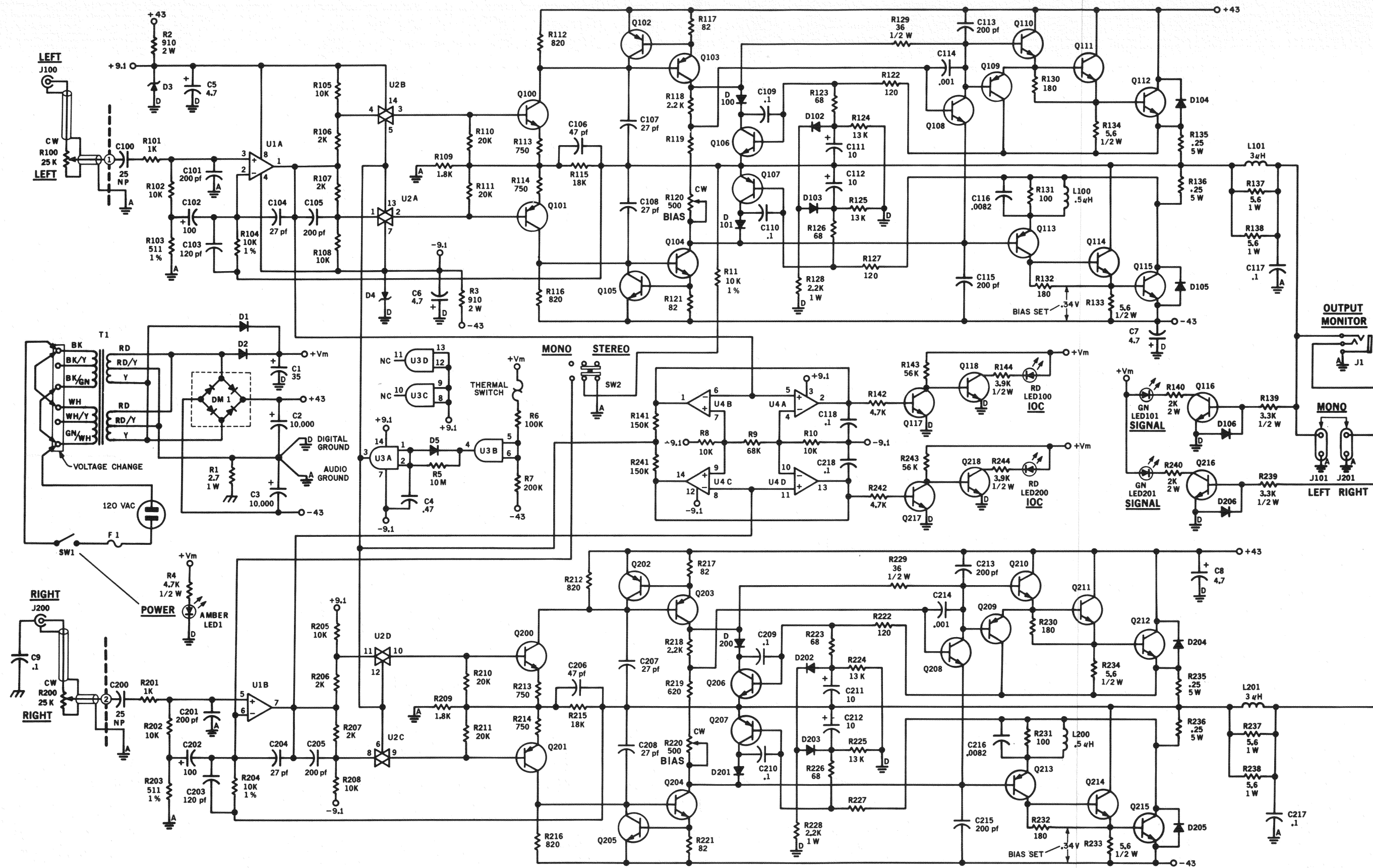


POWER LINE TWO SCHEMATIC NOTES

- CIRCUIT SHOWN APPLIES TO UNITS WITH SN5000 AND BELOW.
- ALL RESISTORS ARE IN OHMS, ALL CAPACITORS IN MICROFARADS UNLESS OTHERWISE DESIGNATED.
- ALL RESISTORS ARE .25 WATT, 5% TOLERANCE UNLESS OTHERWISE DESIGNATED.
- MONO/STEREO SWITCH SHOWN IN THE STEREO POSITION
- +VCC IS 43 VOLTS.



POWER LINE TWO SCHEMATIC NOTES

- CIRCUIT SHOWN APPLIES TO UNITS WITH SN5000 AND ABOVE.
- ALL RESISTORS ARE IN OHMS, ALL CAPACITORS IN MICROFARADS UNLESS OTHERWISE DESIGNATED.
- ALL RESISTORS ARE .25 WATT, 5% TOLERANCE UNLESS OTHERWISE DESIGNATED.
- MONO/STEREO SWITCH SHOWN IN THE STEREO POSITION
- +VCC IS 43 VOLTS.

PL TWO SCHEMATIC (SN 5000 and above)